

TD 20 Series

TD 20 | Tile Drain Series

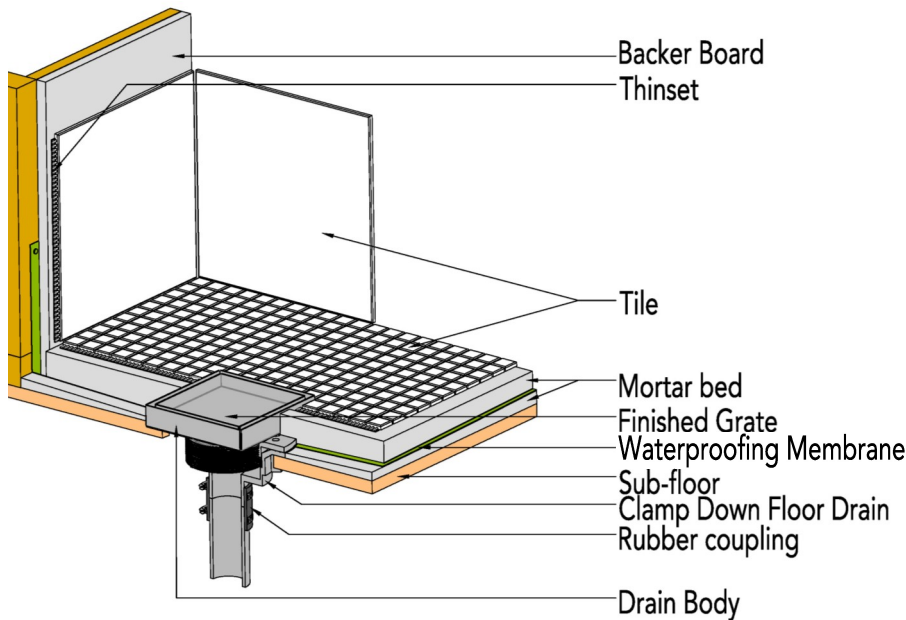
- 12 gauge 316 Stainless Steel Frame and Body
- 3/4" depth inside frame for material
- 1/4" drainage gap
- Indoor or outdoor use
- Commercial grade large drain body (Cast Iron, PVC or ABS) with 4" throat
- Grate can be removed completely for cleaning
- Requires traditional 4-way floor pitch
- Flow rate 9 GPM with 2" outlet
- Flow rate 21 GPM with 3" outlet

Finishes:

- ___ Satin Stainless
- ___ Polished Stainless

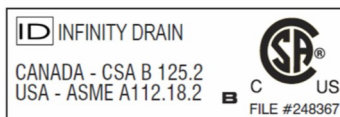


Installation (TD) Center Drain



Infinity Drain

18 Secatoag Avenue
 Port Washington, NY 11050
 Phone: 516.767.6786
 Fax: 516.740.3066
 www.InfinityDrain.com



Complete Kits:

- TD 20-2I SS Clamp Down Drain Cast Iron
- TD 20-2I PS Clamp Down Drain Cast Iron
- TD 20-2A SS Clamp Down Drain ABS
- TD 20-3A PS Clamp Down Drain ABS
- TD 20-2P SS Clamp Down Drain PVC
- TD 20-3P PS Clamp Down Drain PVC

Components:

- T 20 A 8" x 8" Tile Drain Strainer

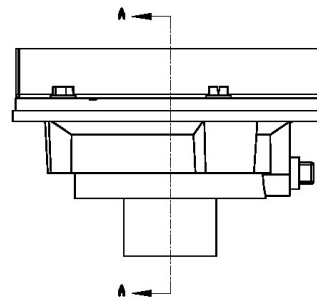
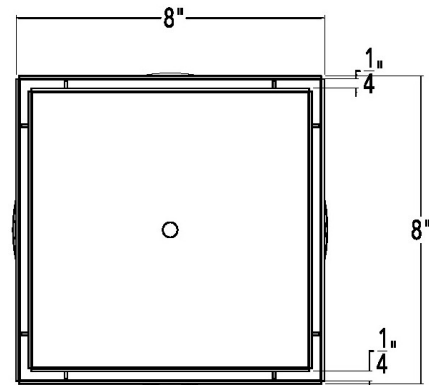
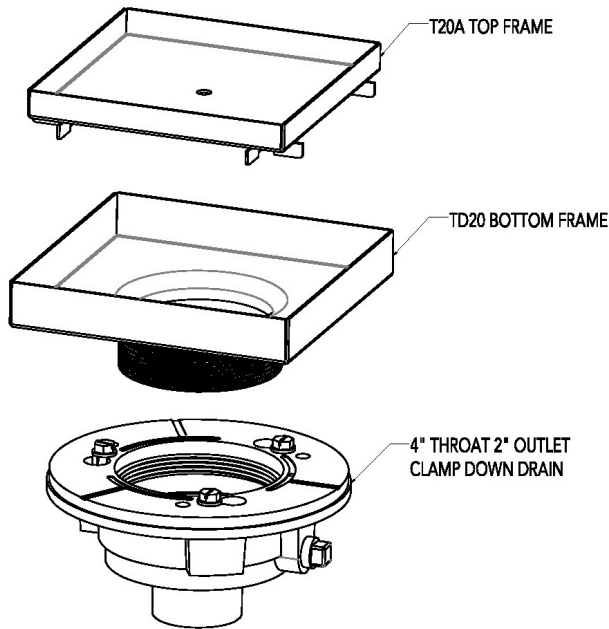
- CDI 42 Clamp Down Drain Cast Iron
- CDI 43 Clamp Down Drain Cast Iron
- CDA 42 Clamp Down Drain ABS
- CDA 43 Clamp Down Drain ABS
- CDP 42 Clamp Down Drain PVC
- CDP 43 Clamp Down Drain PVC
- TKEY Lift Out Key

Optional Components:

- UCP 4 Universal 4" Clamping Plate

Note: Installer must verify all rough-in dimensions prior to installation and consult local and national codes. Conformity and compliance to local and national codes are the responsibility of the installer.

TD 20-2 Specifications



TD 20-2I

**8" x 8" Kit with Cast Iron Drain Body
No Hub Outlet**

(8" L x 8" W x 1 5/16" H)

1 - T 20 A Tile Drain Strainer

1 - CDI 42 Clamp Down Drain Cast Iron

TD 20-2A

**8" x 8" Kit with ABS Drain Body
No Hub Outlet**

(8" L x 8" W x 1 5/16" H)

1 - T 20 A Tile Drain Strainer

1 - CDA 42 Clamp Down ABS

TD 20-2P

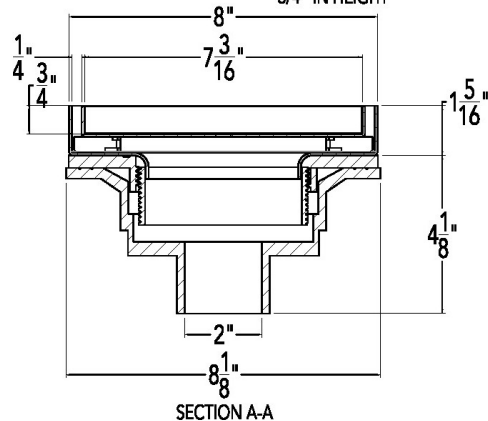
**8" x 8" Kit with PVC Drain Body
No Hub Outlet**

(8" L x 8" W x 1 5/16" H)

1 - T 20 A Tile Drain Strainer

1 - PVC 42 Clamp Down ABS

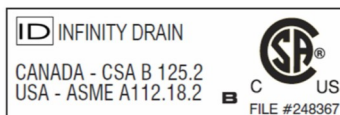
DRAIN CAN BE ADJUSTED
UPWARD FOR AN ADDITIONAL
3/4" IN HEIGHT



SECTION A-A

Infinity Drain

18 Secatoag Avenue
Port Washington, NY 11050
Phone: 516.767.6786
Fax: 516.740.3066
www.InfinityDrain.com



Note: Installer must verify all rough-in dimensions prior to installation and consult local and national codes. Conformity and compliance to local and national codes are the responsibility of the installer.