

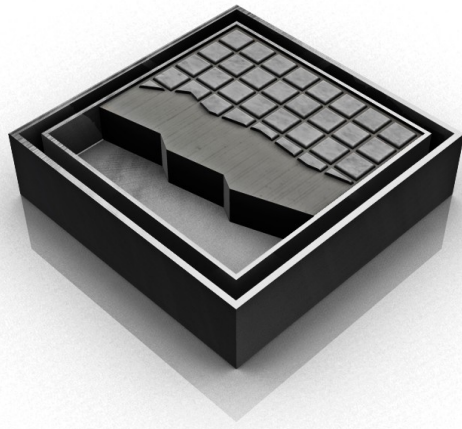
TD 15 Series

TD 15 | Tile Drain Series

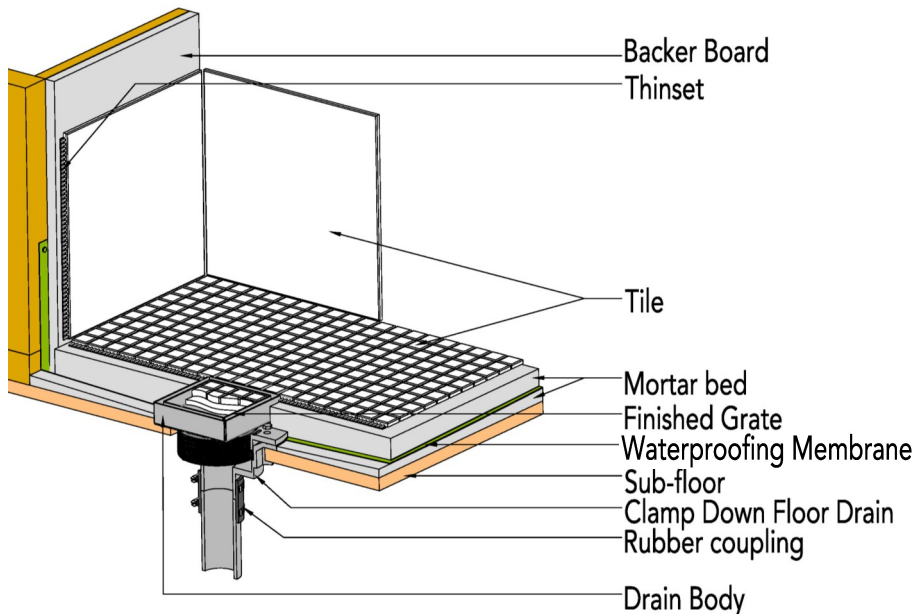
- 12 gauge 316 Stainless Steel Frame and Body
- 3/4" depth inside frame for material
- 1/4" drainage gap
- Indoor or outdoor use
- Commercial grade large drain body (Cast Iron, PVC or ABS) with 4" throat
- Grate can be removed completely for cleaning
- Requires traditional 4-way floor pitch
- Flow rate 9 GPM with 2" outlet
- Flow rate 21 GPM with 3" outlet

Finishes:

- ___ Satin Stainless
- ___ Polished Stainless

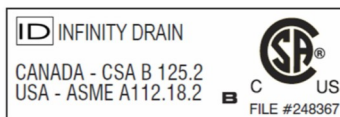


Installation (TD) Center Drain



Infinity Drain

18 Secatoag Avenue
 Port Washington, NY 11050
 Phone: 516.767.6786
 Fax: 516.740.3066
 www.InfinityDrain.com



Complete Kits:

- TD 15-2I SS Clamp Down Drain Cast Iron
- TD 15-3I PS Clamp Down Drain Cast Iron
- TD 15-2A SS Clamp Down Drain ABS
- TD 15-3A PS Clamp Down Drain ABS
- TD 15-2P SS Clamp Down Drain PVC
- TD 15-3P PS Clamp Down Drain PVC

Components:

- T 15 A 5" x 5" Tile Drain Strainer

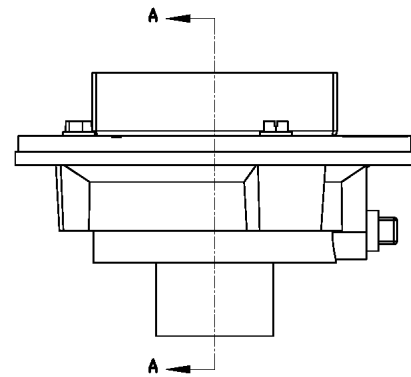
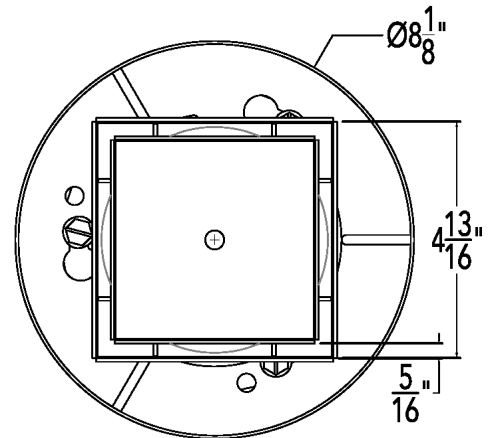
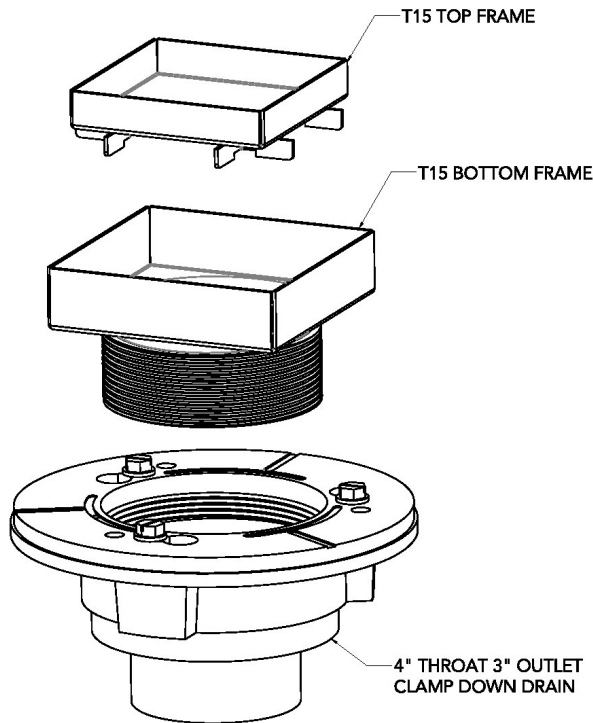
- CDI 42 Clamp Down Drain Cast Iron
- CDI 43 Clamp Down Drain Cast Iron
- CDA 42 Clamp Down Drain ABS
- CDA 43 Clamp Down Drain ABS
- CDP 42 Clamp Down Drain PVC
- CDP 43 Clamp Down Drain PVC
- TKEY Lift Out Key

Optional Components:

- UCP 4 Universal 4" Clamping Plate

Note: Installer must verify all rough-in dimensions prior to installation and consult local and national codes. Conformity and compliance to local and national codes are the responsibility of the installer.

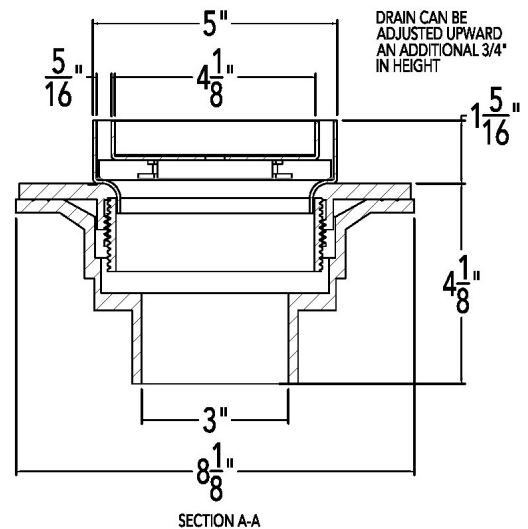
TD 15-3 Specifications



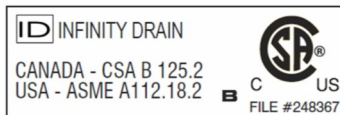
TD 15-3I
5" x 5" Kit with Cast Iron Drain Body
No Hub Outlet
 (5" L x 5" W x 1 5/16" H)
 1 - T 15 A Tile Drain Strainer
 1 - CDI 43 Clamp Down Drain Cast Iron

TD 15-3A
5" x 5" Kit with ABS Drain Body
No Hub Outlet
 (5" L x 5" W x 1 5/16" H)
 1 - T 15 A Tile Drain Strainer
 1 - CDA 43 Clamp Down ABS

TD 15-3P
5" x 5" Kit with PVC Drain Body
No Hub Outlet
 (5" L x 5" W x 1 5/16" H)
 1 - T 15 A Tile Drain Strainer
 1 - PVC 43 Clamp Down ABS



Infinity Drain
 18 Secatoag Avenue
 Port Washington, NY 11050
 Phone: 516.767.6786
 Fax: 516.740.3066
 www.InfinityDrain.com



Note: Installer must verify all rough-in dimensions prior to installation and consult local and national codes. Conformity and compliance to local and national codes are the responsibility of the installer.