

WW 5 Series

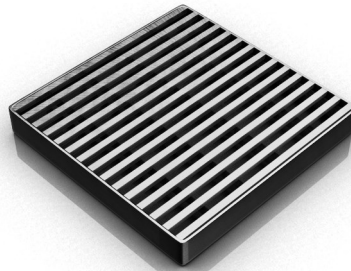


WW 5 | Tile Drain Series

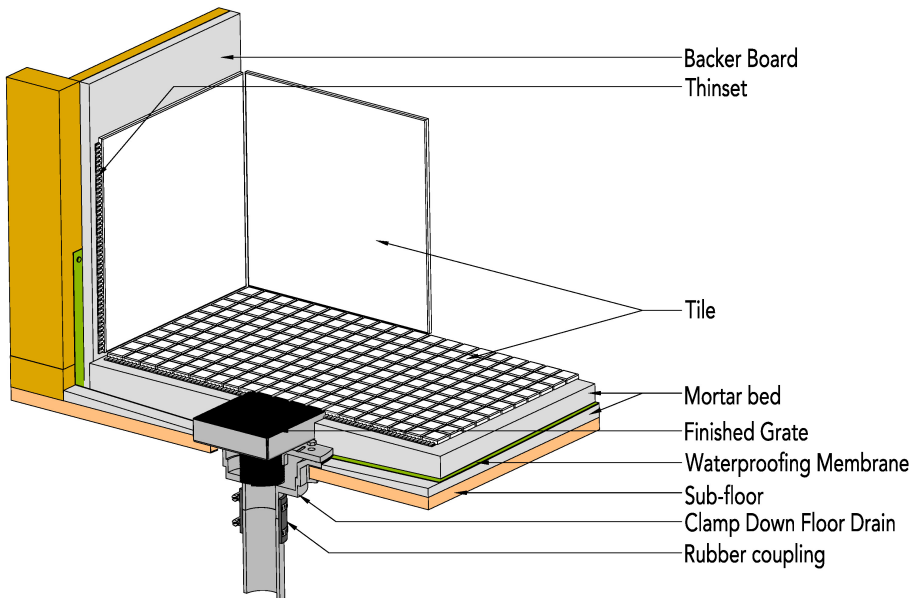
- 12 gauge 316 Stainless Steel Wedge Wire Frame and Body
- Indoor or outdoor use
- Works with 2" clamp down floor drain with 2" throat (strainer size)
- Uses Hot Mop, Lead Pan, PVC Vinyl Liner, Rubber Liner (Chloraloy™), Copper Pan or Fiberglass waterproofing
- Grate can be removed completely for cleaning
- Flow rate 9 GPM per outlet*

Finishes:

- ___ Satin Stainless
- ___ Polished Stainless



Installation (TD) Center Drain



Complete Kits:

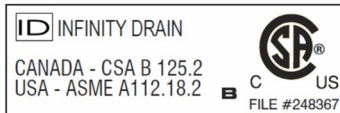
- WW 5-2I SS Clamp Down Drain Cast Iron
- WW 5-2I PS Clamp Down Drain Cast Iron
- WW 5-2A SS Clamp Down Drain ABS
- WW 5-2A PS Clamp Down Drain ABS
- WW 5-2P SS Clamp Down Drain PVC
- WW 5-2P PS Clamp Down Drain PVC

Components:

- W5-2 SS 5" x 5" Strainer Only
- W5-2 PS 5" x 5" Strainer Only
- CDI 22 Clamp Down Drain Cast Iron
- CDA 22 Clamp Down Drain ABS
- CDP 22 Clamp Down Drain PVC

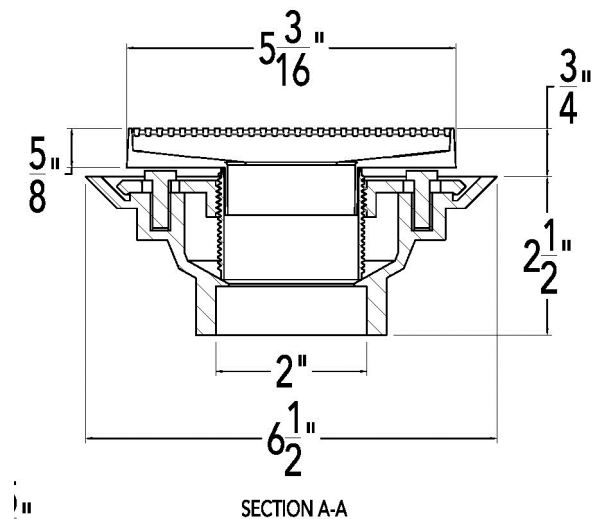
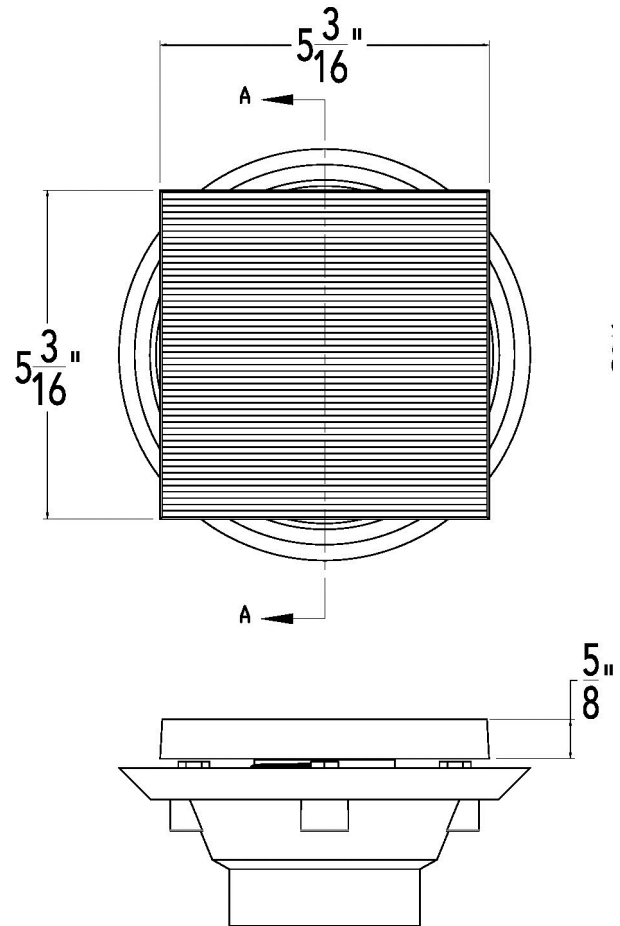
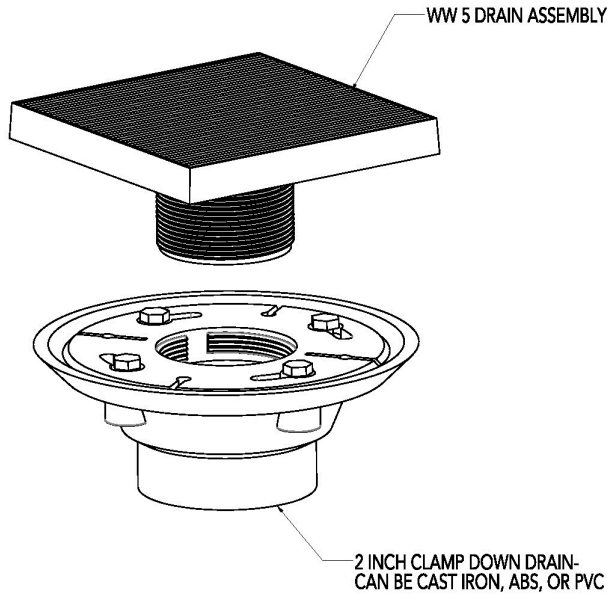
Infinity Drain

18 Secatoag Avenue
 Port Washington, NY 11050
 Phone: 516.767.6786
 Fax: 516.740.3066
 www.InfinityDrain.com



Note: Installer must verify all rough-in dimensions prior to installation and consult local and national codes. Conformity and compliance to local and national codes are the responsibility of the installer.

WW 5 Specifications



WW 5-2I
5" x 5" Kit with PVC Drain Body
2" Outlet
 (5" L x 5" W x 1" H)
 1 - WW 5 Tile Drain Strainer
 1 - CDI 22 Clamp Down Drain

WW 5-2A
5" x 5" Kit with PVC Drain Body
2" Outlet
 (5" L x 5" W x 1" H)
 1 - WW 5 Tile Drain Strainer
 1 - CDA 22 Clamp Down Drain

WW 5-2P
5" x 5" Kit with PVC Drain Body
2" Outlet
 (5" L x 5" W x 1" H)
 1 - WW 5 Tile Drain Strainer
 1 - CDP 22 Clamp Down Drain

Note: Installer must verify all rough-in dimensions prior to installation and consult local and national codes. Conformity and compliance to local and national codes are the responsibility of the installer.

Infinity Drain
 18 Secatoag Avenue
 Port Washington, NY 11050
 Phone: 516.767.6786
 Fax: 516.740.3066
 www.InfinityDrain.com

