

S-TIF 65 Series

S-TIF 65 | Site Sizeable

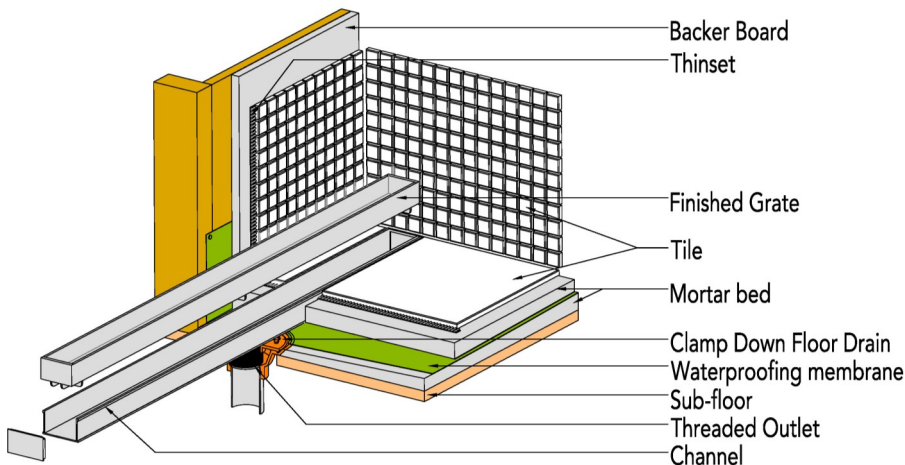
- Modify length and locate outlet on-site
- Indoor or outdoor use
- Incorporates tile or solid surface material up to 3/4" thick within the grate frame
- 316 stainless steel grate
- PVC channel
- Works with 2" clamp down floor drain with 2" throat (strainer size)
- Uses Hot Mop, Lead Pan, PVC Vinyl Liner, Rubber Liner (Chloraloy™) Copper Pan or Fiberglass waterproofing
- Grate can be removed completely for cleaning
- Flow rate 9 GPM per outlet*

Finishes:

- Satin Stainless
- Polished Stainless



Installation (S) Site Sizable



Complete Kits:

S-TIF 6540	40" Complete Kit
S-TIF 6548	48" Complete Kit
S-TIF 6560	60" Complete Kit
S-TIF 6572	72" Complete Kit
S-TIF 6596	96" Complete Kit

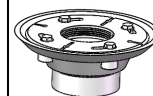
Longer lengths for indoor or outdoor installations.

Components:

TA 6540	40" Stainless Steel Grate
TA 6548	48" Stainless Steel Grate
TA 6560	60" Stainless Steel Grate
G 6536	36" PVC Channel
G 6540	40" PVC Channel
G 6548	48" PVC Channel
G 6560	60" PVC Channel
G 6580	80" PVC Channel
G 6596	96" PVC Channel
G 65108	108" PVC Channel
E 65	PVC Stop End
S 50	PVC Threaded Nipple
TIF PL	TIF Plates
TKEY	Lift Out Key

Add Clamp Down Drain:

CDI 22	Clamp Down Drain Cast Iron
CDA 22	Clamp Down Drain ABS
CDP 22	Clamp Down Drain PVC



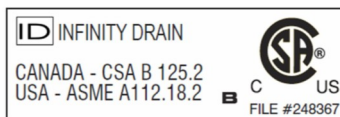
2" clamp down drain not included in kit

Optional Components:

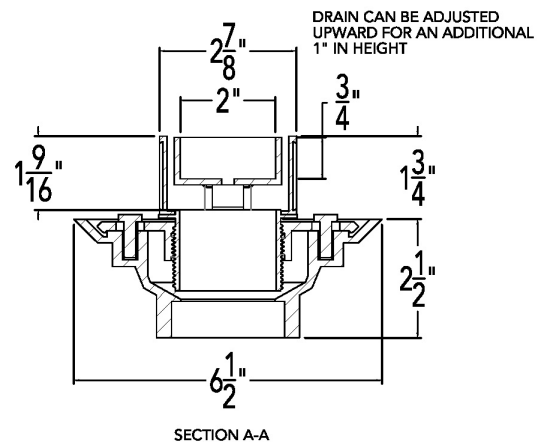
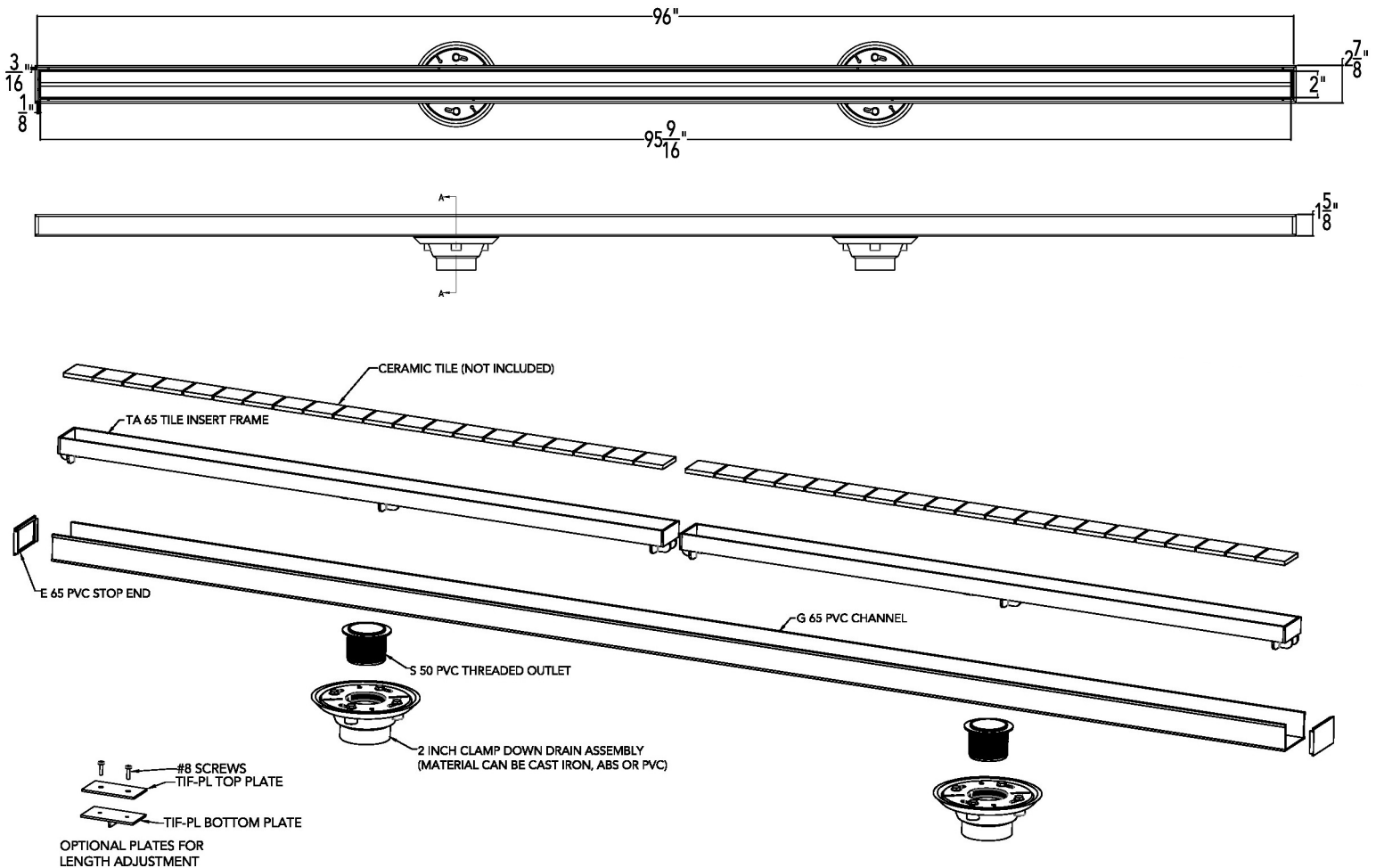
F65	Non Treated PVC Outlet
GJC 65	PVC Straight Joiner Strip
GAM 65	PVC 90° Angle Joiner
TNRN-P	PVC Threaded Nipple, (extends 2 3/8" to the S 50 PVC Threaded Outlet)
UCP 2	Universal 2" Clamping Plate
UCP 4	Universal 4" Clamping Plate
ERB	Eccentric Reducer Bushing 4"x2"

Note: Installer must verify all rough-in dimensions prior to installation and consult local and national codes. Conformity and compliance to local and national codes are the responsibility of the installer.

Infinity Drain
 18 Secatoag Avenue
 Port Washington, NY 11050
 Phone: 516.767.6786
 Fax: 516.740.3066
 www.InfinityDrain.com



S-TIF 6596 Specifications



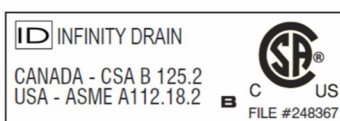
S-TIF 6596 SS

96" Complete Kit Includes:

- (96 1/8" l x 2 7/8" w x 1 5/8" h)
- 2 - TA 6548 Tile Insert Frame
- 1 - G 6596 PVC Channel
- 2 - E 65 PVC End Stop
- 2 - S 50 PVC Threaded Outlet
- 1 - TKEY Lift Out Key

Infinity Drain

18 Secatoag Avenue
 Port Washington, NY 11050
 Phone: 516.767.6786
 Fax: 516.740.3066
 www.InfinityDrain.com



Note: Installer must verify all rough-in dimensions prior to installation and consult local and national codes. Conformity and compliance to local and national codes are the responsibility of the installer.