

# S-TIF 65 Series

## S-TIF 65 | Site Sizeable

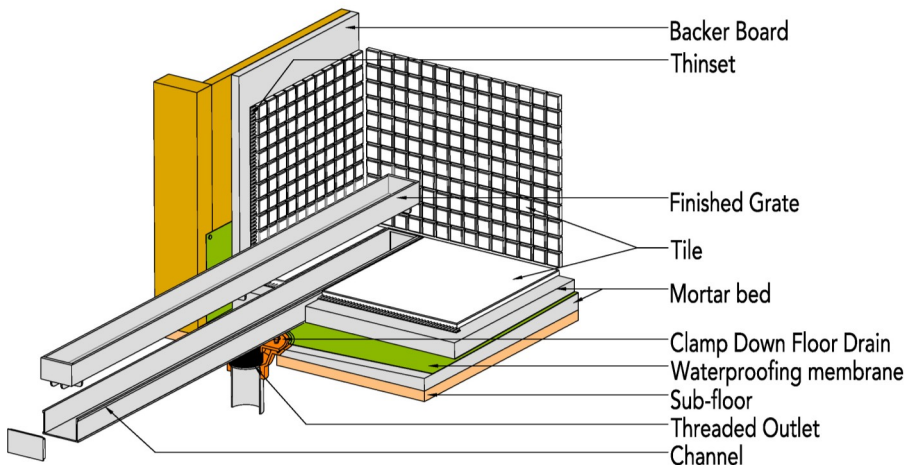
- Modify length and locate outlet on-site
- Indoor or outdoor use
- Incorporates tile or solid surface material up to 3/4" thick within the grate frame
- 316 stainless steel grate
- PVC channel
- Works with 2" clamp down floor drain with 2" throat (strainer size)
- Uses Hot Mop, Lead Pan, PVC Vinyl Liner, Rubber Liner (Chloraloy™) Copper Pan or Fiberglass waterproofing
- Grate can be removed completely for cleaning
- Flow rate 9 GPM per outlet\*

### Finishes:

- Satin Stainless
- Polished Stainless



## Installation (S) Site Sizable



### Complete Kits:

S-TIF 6540	40" Complete Kit
S-TIF 6548	48" Complete Kit
S-TIF 6560	60" Complete Kit
S-TIF 6572	72" Complete Kit
S-TIF 6596	96" Complete Kit

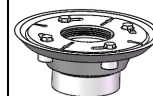
### Longer lengths for indoor or outdoor installations.

### Components:

TA 6540	40" Stainless Steel Grate
TA 6548	48" Stainless Steel Grate
TA 6560	60" Stainless Steel Grate
G 6536	36" PVC Channel
G 6540	40" PVC Channel
G 6548	48" PVC Channel
G 6560	60" PVC Channel
G 6580	80" PVC Channel
G 6596	96" PVC Channel
G 65108	108" PVC Channel
E 65	PVC Stop End
S 50	PVC Threaded Nipple
TIF PL	TIF Plates
TKEY	Lift Out Key

### Add Clamp Down Drain:

CDI 22	Clamp Down Drain Cast Iron
CDA 22	Clamp Down Drain ABS
CDP 22	Clamp Down Drain PVC



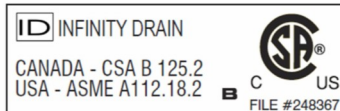
2" clamp down drain not included in kit

### Optional Components:

F65	Non Treated PVC Outlet
GJC 65	PVC Straight Joiner Strip
GAM 65	PVC 90° Angle Joiner
TNRN-P	PVC Threaded Nipple, (extends 2 3/8" to the S 50 PVC Threaded Outlet)
UCP 2	Universal 2" Clamping Plate
UCP 4	Universal 4" Clamping Plate
ERB	Eccentric Reducer Bushing 4"x2"

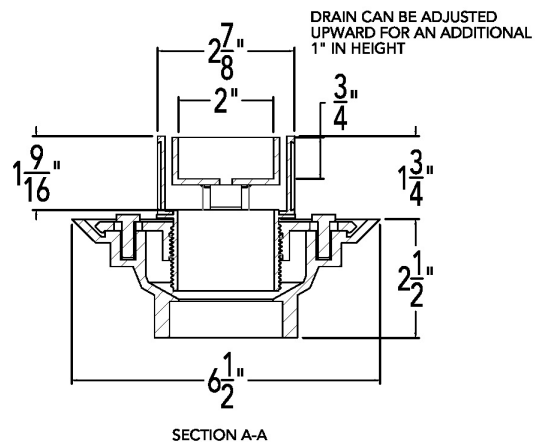
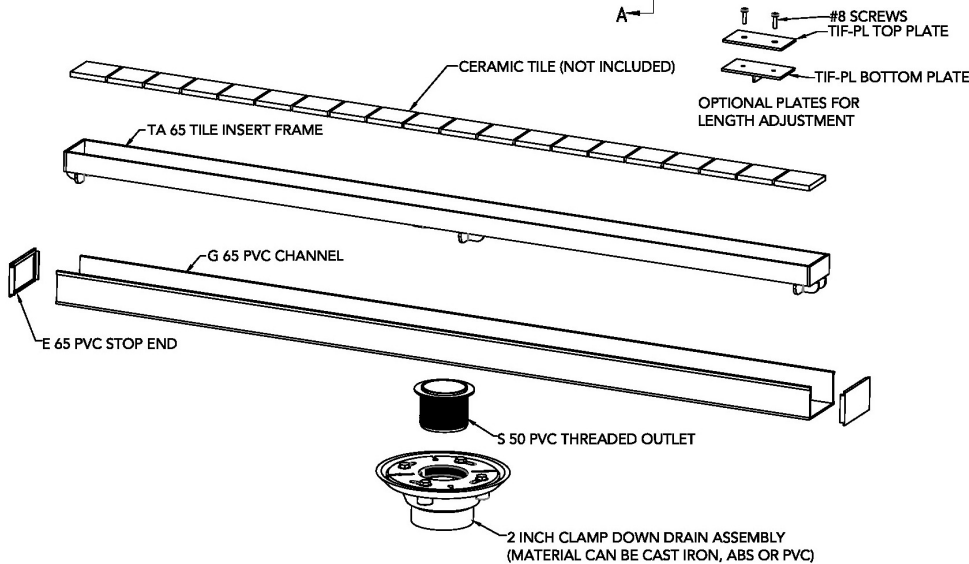
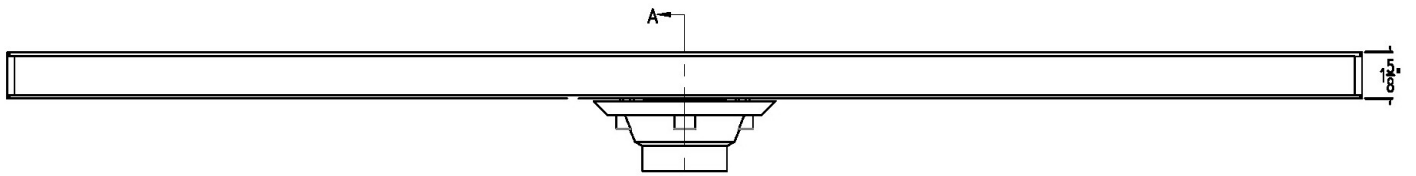
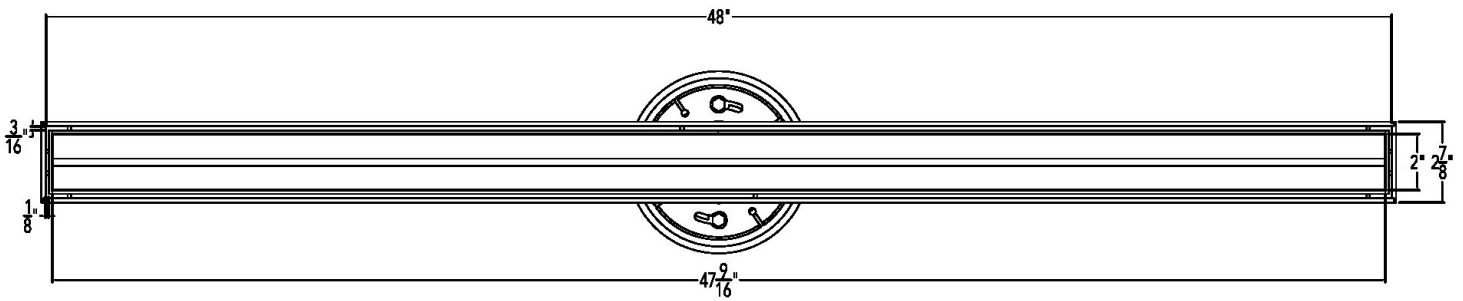
### Infinity Drain

18 Secatoag Avenue  
Port Washington, NY 11050  
Phone: 516.767.6786  
Fax: 516.740.3066  
www.InfinityDrain.com



**Note:** Installer must verify all rough-in dimensions prior to installation and consult local and national codes. Conformity and compliance to local and national codes are the responsibility of the installer.

# S-TIF 6548 Specifications



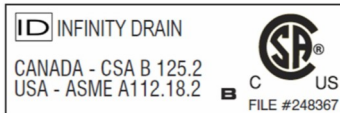
## S-TIF 6548 SS

### 48" Complete Kit Includes:

- (48 1/8" l x 2 7/8" w x 1 5/8" h)
- 1 - TA 6548 Tile Insert Frame
- 1 - G 6548 PVC Channel
- 2 - E 65 PVC End Stop
- 1 - S 50 PVC Threaded Outlet
- 1 - TKEY Lift Out Key

## Infinity Drain

18 Secatoag Avenue  
 Port Washington, NY 11050  
 Phone: 516.767.6786  
 Fax: 516.740.3066  
 www.InfinityDrain.com



**Note:** Installer must verify all rough-in dimensions prior to installation and consult local and national codes. Conformity and compliance to local and national codes are the responsibility of the installer.