

RTDB 15 Series

RTDB 15 | Tile Drain Series

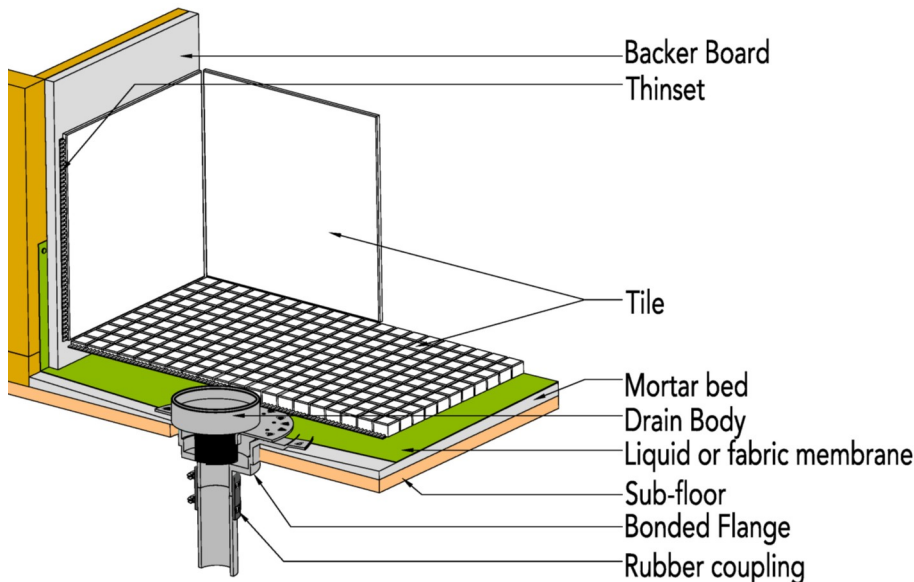
- Cast Brass Frame and Body– overall dimension 4 $\frac{3}{4}$ "
- Tile Pan Diameter 3 $\frac{3}{4}$ " inside dimension x $\frac{3}{8}$ " inside depth
- 3/4" depth inside frame for material
- 1/4" drainage gap
- Indoor or outdoor use
- Residential grade bonded flange (PVC or ABS) with 4" throat
- Connects to 2", 3" or 4" waste line
- Uses liquid and fabric sheet membrane waterproofing (not Hot Mop)
- Grate can be removed completely for cleaning
- Requires traditional 4-way floor pitch
- Flow rate 9 GPM with 2" outlet

Finishes:

___ Polished Stainless

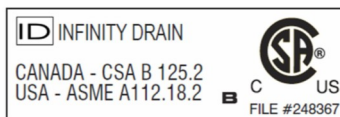


Installation (TD) Center Drain



Infinity Drain

18 Secatoag Avenue
Port Washington, NY 11050
Phone: 516.767.6786
Fax: 516.740.3066
www.InfinityDrain.com



Complete Kits:

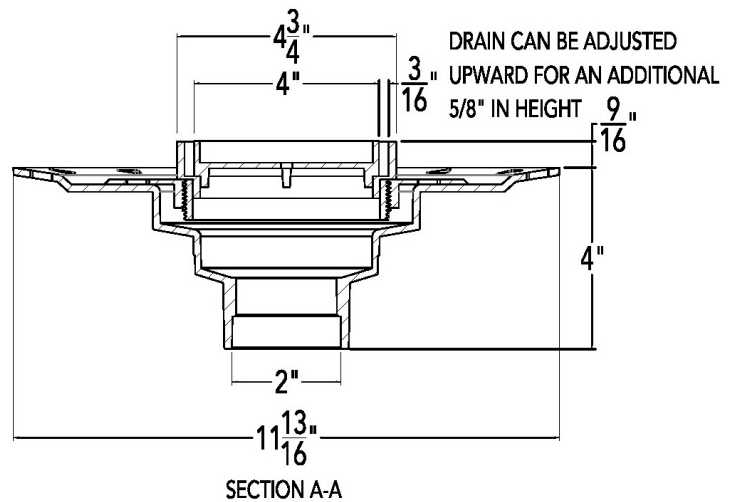
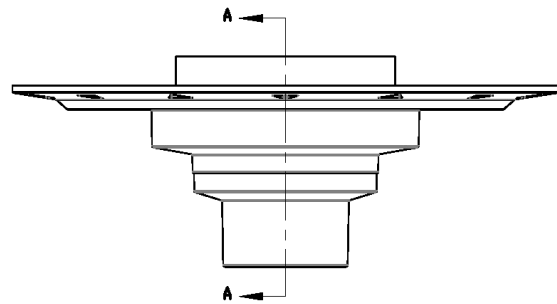
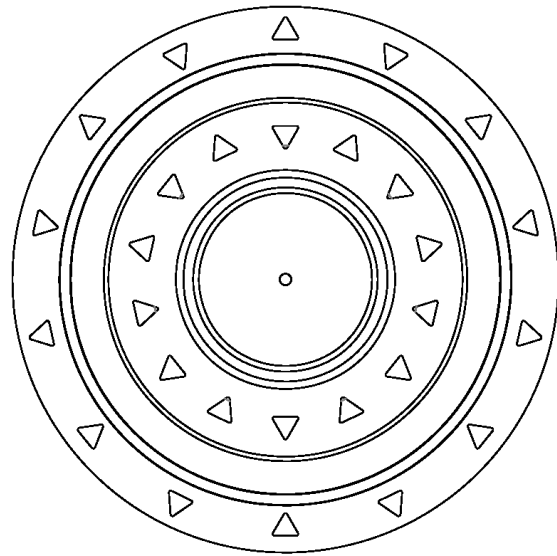
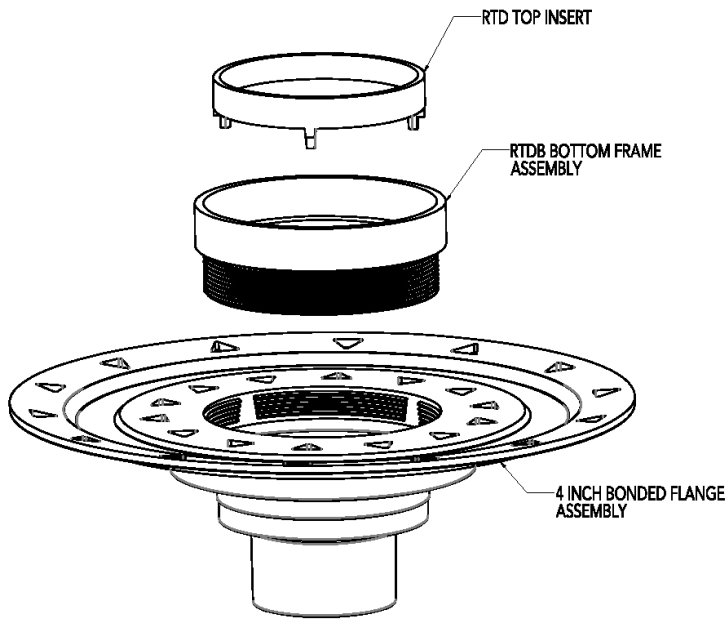
RTDB 15-A PS Bonded Flange ABS Drain
RTDB 15-P PS Bonded Flange PVC Drain

Components:

R 15B 5" Round Tile Drain Strainer Only
BFA 42 Bonded Flange ABS
BFP 42 Bonded Flange PVC

Note: Installer must verify all rough-in dimensions prior to installation and consult local and national codes. Conformity and compliance to local and national codes are the responsibility of the installer.

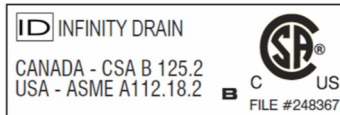
RTDB 15 Specifications



RTDB 15-A
5" RTDB 15 with ABS Bonded Flange
Drain body, fits 2", 3" and 4" Outlet
 (4 3/4" diameter x 3/4" H)
 1 - R 15 B Tile Drain Strainer
 1 - BFA 42 Bonded Flange ABS Drain

RTDB 15-P
5" RTDB 15 with PVC Bonded Flange
Drain body, fits 2", 3" and 4" Outlet
 (4 3/4" diameter x 3/4" H)
 1 - R 15 B Tile Drain Strainer
 1 - BFP 42 Bonded Flange PVC Drain

Infinity Drain
 18 Secatoag Avenue
 Port Washington, NY 11050
 Phone: 516.767.6786
 Fax: 516.740.3066
 www.InfinityDrain.com



Note: Installer must verify all rough-in dimensions prior to installation and consult local and national codes. Conformity and compliance to local and national codes are the responsibility of the installer.