

RTD 15 Series



RTD 15 | Tile Drain Series

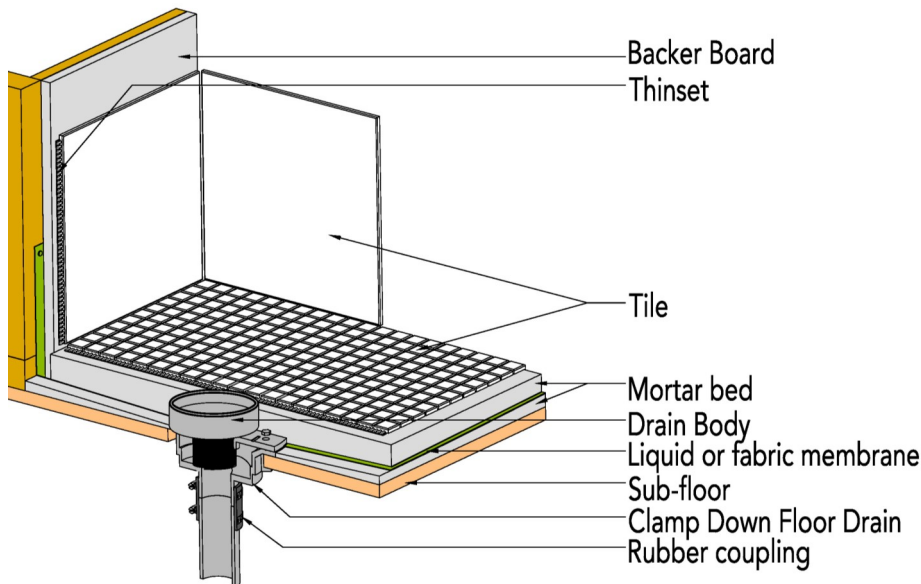
- Cast Brass Frame and Body– overall dimension 4¾"
- Tile Pan Diameter 3¾" inside dimension x ¾" inside depth
- ¾" depth inside frame for material
- ¼" drainage gap
- Indoor or outdoor use
- Commercial grade large drain body (Cast Iron, PVC or ABS) with 4" throat
- Available with a 2" or 3" outlet
- Uses Hot Mop, Lead Pan, PVC Vinyl Liner, Rubber Liner (Chloraloy™) Copper Pan or Fiberglass waterproofing
- Grate can be removed completely for cleaning
- Requires traditional 4-way floor pitch
- Flow rate 9 GPM with 2" outlet
- Flow rate 21 GPM with 3" outlet

Finishes:

___ Polished Stainless



Installation (TD) Center Drain



Complete Kits:

- RTD 15-2I PS Clamp Down Drain Cast Iron
- RTD 15-3I PS Clamp Down Drain Cast Iron
- RTD 15-2A PS Clamp Down Drain ABS
- RTD 15-3A PS Clamp Down Drain ABS
- RTD 15-2P PS Clamp Down Drain PVC
- RTD 15-3P PS Clamp Down Drain PVC

Components:

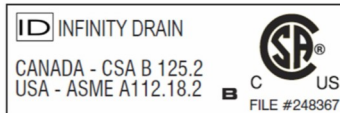
- R 15A 5" Round Tile Drain Strainer Only
- CDI 42 Clamp Down Drain Cast Iron
- CDI 43 Clamp Down Drain Cast Iron
- CDA 42 Clamp Down Drain ABS
- CDA 43 Clamp Down Drain ABS
- CDP 42 Clamp Down Drain PVC
- CDP 43 Clamp Down Drain PVC

Optional Components:

- UCP 4 Universal 4" Clamping Plate

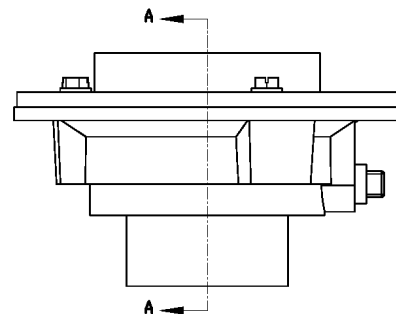
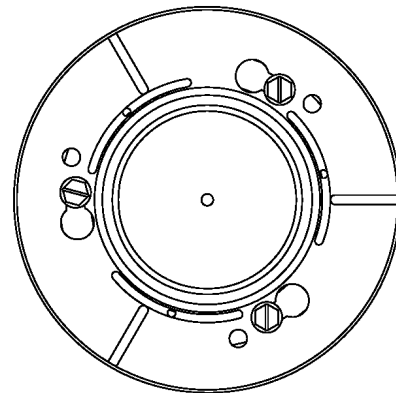
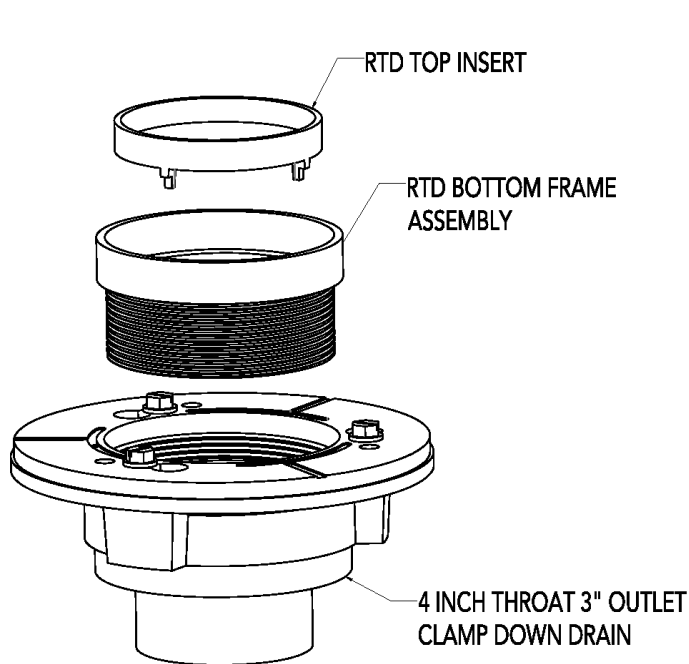
Infinity Drain

18 Secatoag Avenue
 Port Washington, NY 11050
 Phone: 516.767.6786
 Fax: 516.740.3066
 www.InfinityDrain.com



Note: Installer must verify all rough-in dimensions prior to installation and consult local and national codes. Conformity and compliance to local and national codes are the responsibility of the installer.

RTD 15-3 Specifications



RTD 15-3I

5" diameter with Cast Iron Drain Body
3" Outlet

(4³/₄" diameter x ³/₄" H))

1 - R 15 A Tile Drain Strainer

1 - CDI 43 Clamp Down Drain Cast Iron

RTD 15-3A

5" diameter with ABS Drain Body
3" Outlet

(4³/₄" diameter x ³/₄" H))

1 - R 15 A Tile Drain Strainer

1 - CDA 43 Clamp Down Drain ABS

RTD 15-3P

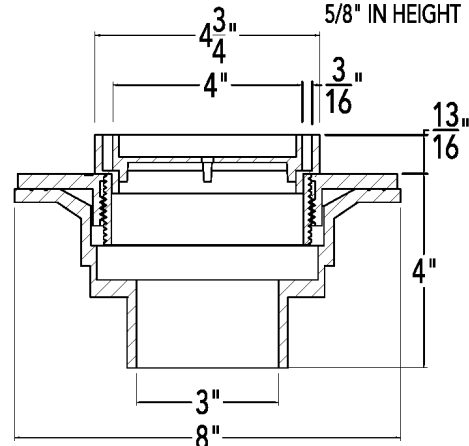
5" diameter with ABS Drain Body
3" Outlet

(4³/₄" diameter x ³/₄" H))

1 - R 15 A Tile Drain Strainer

1 - CDP 43 Clamp Down Drain PVC

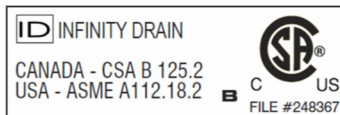
DRAIN CAN BE ADJUSTED
 UPWARD FOR AN ADDITIONAL
 5/8" IN HEIGHT



SECTION A-A

Infinity Drain

18 Secatoag Avenue
 Port Washington, NY 11050
 Phone: 516.767.6786
 Fax: 516.740.3066
 www.InfinityDrain.com



Note: Installer must verify all rough-in dimensions prior to installation and consult local and national codes. Conformity and compliance to local and national codes are the responsibility of the installer.