

RTD 15 Series



RTD 15 | Tile Drain Series

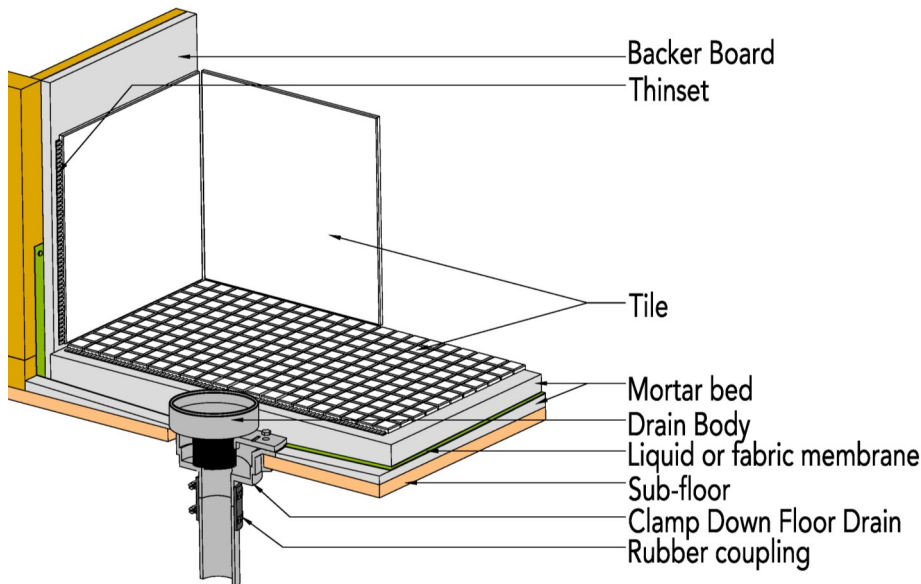
- Cast Brass Frame and Body– overall dimension 4¾"
- Tile Pan Diameter 3¾" inside dimension x ¾" inside depth
- ¾" depth inside frame for material
- ¼" drainage gap
- Indoor or outdoor use
- Commercial grade large drain body (Cast Iron, PVC or ABS) with 4" throat
- Available with a 2" or 3" outlet
- Uses Hot Mop, Lead Pan, PVC Vinyl Liner, Rubber Liner (Chloraloy™) Copper Pan or Fiberglass waterproofing
- Grate can be removed completely for cleaning
- Requires traditional 4-way floor pitch
- Flow rate 9 GPM with 2" outlet
- Flow rate 21 GPM with 3" outlet

Finishes:

___ Polished Stainless



Installation (TD) Center Drain



Complete Kits:

- RTD 15-2I PS Clamp Down Drain Cast Iron
- RTD 15-3I PS Clamp Down Drain Cast Iron
- RTD 15-2A PS Clamp Down Drain ABS
- RTD 15-3A PS Clamp Down Drain ABS
- RTD 15-2P PS Clamp Down Drain PVC
- RTD 15-3P PS Clamp Down Drain PVC

Components:

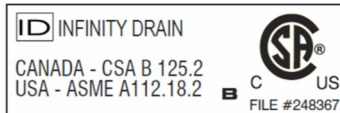
- R 15A 5" Round Tile Drain Strainer Only
- CDI 42 Clamp Down Drain Cast Iron
- CDI 43 Clamp Down Drain Cast Iron
- CDA 42 Clamp Down Drain ABS
- CDA 43 Clamp Down Drain ABS
- CDP 42 Clamp Down Drain PVC
- CDP 43 Clamp Down Drain PVC

Optional Components:

- UCP 4 Universal 4" Clamping Plate

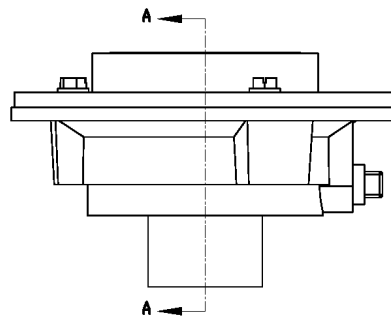
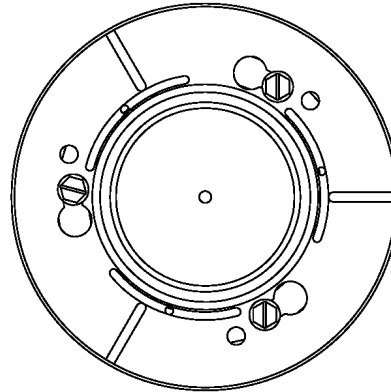
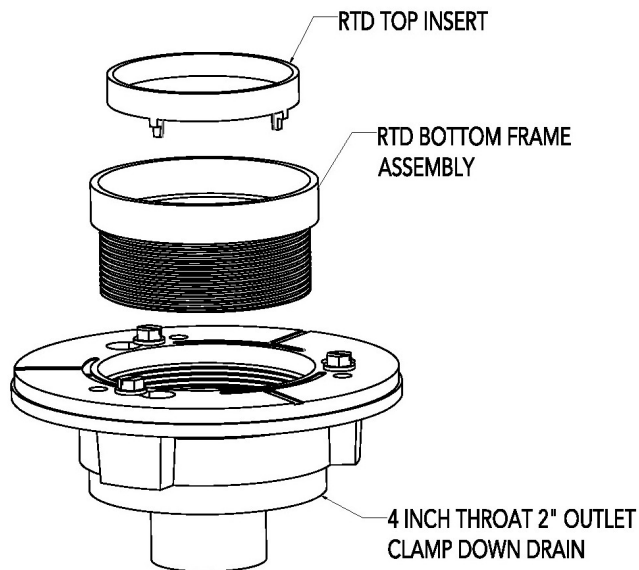
Infinity Drain

18 Secatoag Avenue
 Port Washington, NY 11050
 Phone: 516.767.6786
 Fax: 516.740.3066
 www.InfinityDrain.com



Note: Installer must verify all rough-in dimensions prior to installation and consult local and national codes. Conformity and compliance to local and national codes are the responsibility of the installer.

RTD 15-2 Specifications

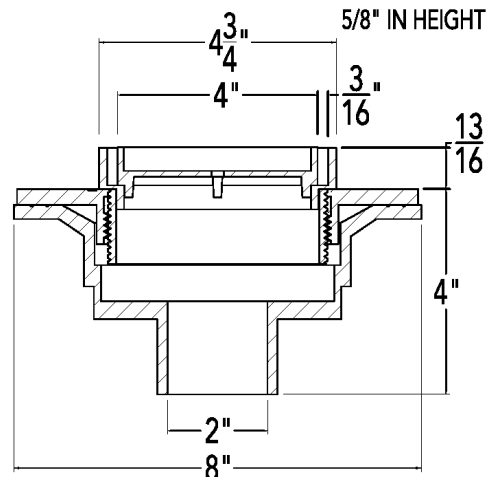


RTD 15-2I
5" diameter with Cast Iron Drain Body
2" Outlet
 (4³/₄" diameter x 3/4" H)
 1 - R 15 A Tile Drain Strainer
 1 - CDI 42 Clamp Down Drain Cast Iron

RTD 15-2A
5" diameter with ABS Drain Body
2" Outlet
 (4³/₄" diameter x 3/4" H)
 1 - R 15 A Tile Drain Strainer
 1 - CDA 42 Clamp Down Drain ABS

RTD 15-2P
5" diameter with ABS Drain Body
2" Outlet
 (4³/₄" diameter x 3/4" H)
 1 - R 15 A Tile Drain Strainer
 1 - CDP 42 Clamp Down Drain PVC

DRAIN CAN BE ADJUSTED
 UPWARD FOR AN ADDITIONAL
 5/8" IN HEIGHT



SECTION A-A

Note: Installer must verify all rough-in dimensions prior to installation and consult local and national codes. Conformity and compliance to local and national codes are the responsibility of the installer.

Infinity Drain
 18 Secatoag Avenue
 Port Washington, NY 11050
 Phone: 516.767.6786
 Fax: 516.740.3066
 www.InfinityDrain.com

