

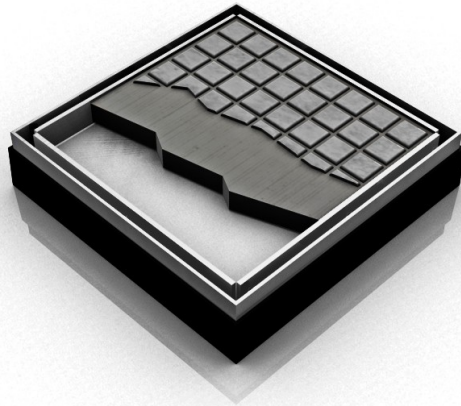
LTDB 5 Series

LTDB 5 | Tile Drain Series

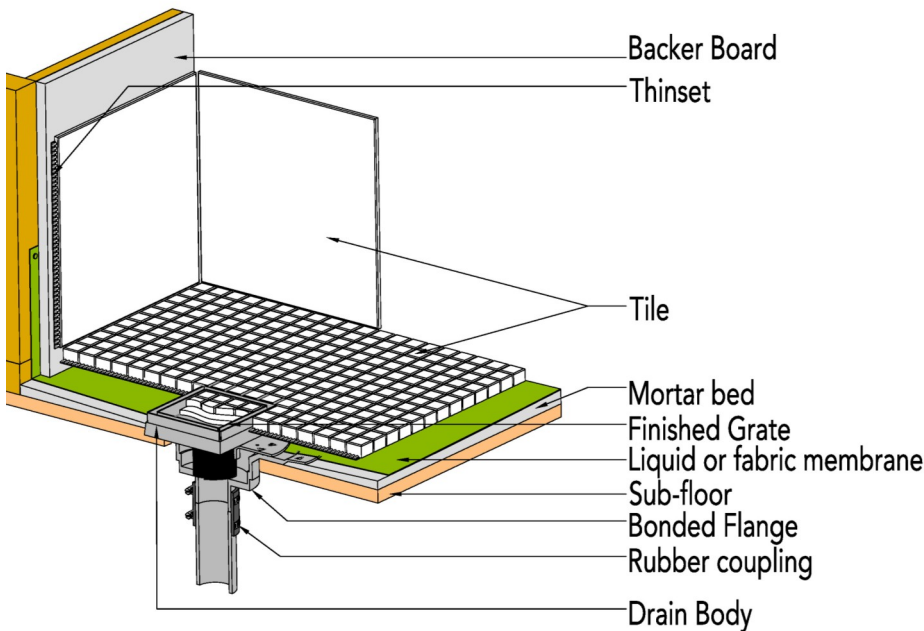
- 16 gauge 304 Stainless Steel top with ABS Base
- Indoor or outdoor use
- Residential grade bonded flange (PVC or ABS) with 2" throat
- Bonded Flange connects to 2", 3" or 4" waste line
- Uses Liquid and Fabric Sheet Membrane waterproofing (not hot mop)
- Grate can be removed completely for cleaning
- Accepts flooring material up to 3/8" thick
- Requires traditional 4-way floor pitch
- Integral hair strainer
- Flow rate 8 GPM

Finishes:

- ___ Satin Stainless
- ___ Polished Stainless



Installation (TD) Center Drain



Complete Kits:

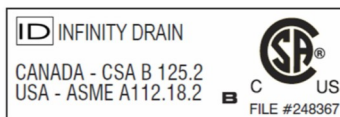
- LTD5 BA SS Bonded Flange ABS Drain
- LTD5 BA PS Bonded Flange ABS Drain
- LTD5 BP SS Bonded Flange PVC Drain
- LTD5 BP PS Bonded Flange PVC Drain

Components:

- LT5-2 SS 5" x 5" Strainer Only
- LT5-2 PS 5" x 5" Strainer Only
- BFA 22 Bonded Flange ABS
- BFP 22 Bonded Flange PVC

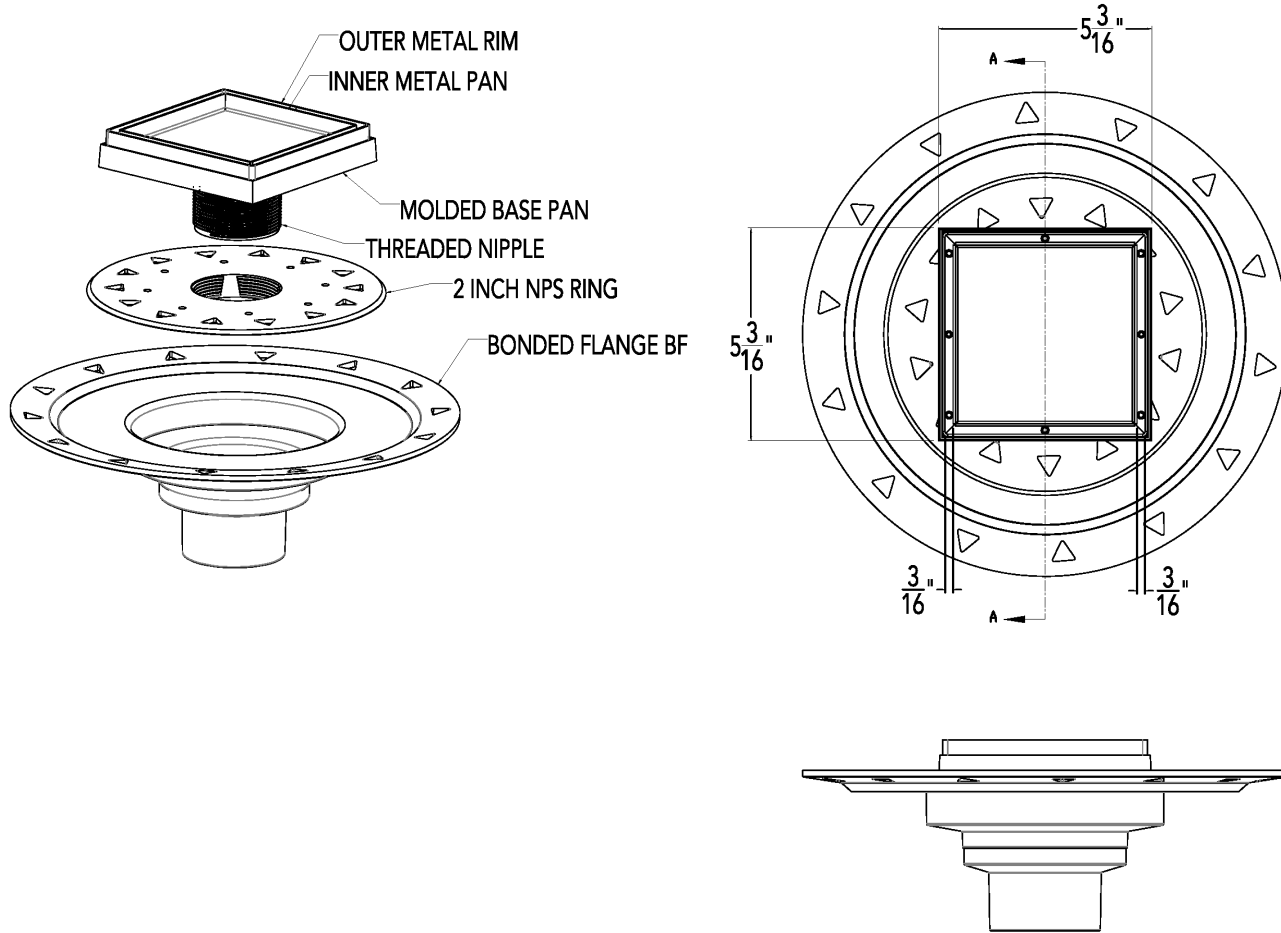
Infinity Drain

18 Secatoag Avenue
 Port Washington, NY 11050
 Phone: 516.767.6786
 Fax: 516.740.3066
 www.InfinityDrain.com



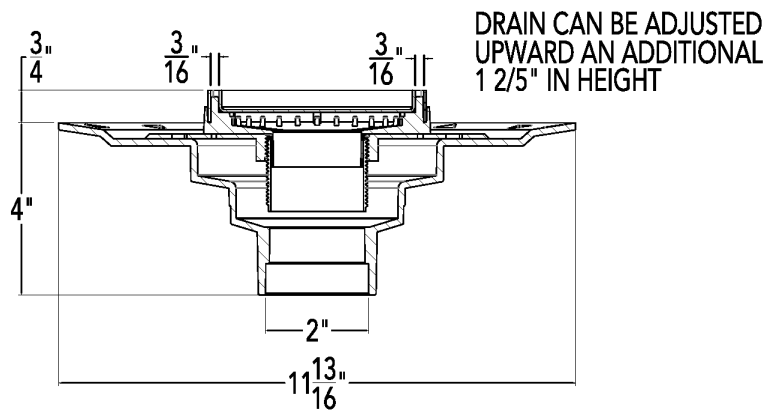
Note: Installer must verify all rough-in dimensions prior to installation and consult local and national codes. Conformity and compliance to local and national codes are the responsibility of the installer.

LTDB 5 Specifications



LTD5-BA
5" x 5" Kit with PVC Drain Body
2" Outlet
 (5" L x 5" W x 1" H)
 1 - LT5-2 Tile Drain Strainer
 1 - BFA 22 Bonded Flange ABS Drain

LTD5-BP
5" x 5" Kit with PVC Drain Body
2" Outlet
 (5" L x 5" W x 1" H)
 1 - LT5-2 Tile Drain Strainer
 1 - BFP 22 Bonded Flange PVC Drain



SECTION A-A

Note: Installer must verify all rough-in dimensions prior to installation and consult local and national codes. Conformity and compliance to local and national codes are the responsibility of the installer.

Infinity Drain
 18 Secatoag Avenue
 Port Washington, NY 11050
 Phone: 516.767.6786
 Fax: 516.740.3066
 www.InfinityDrain.com

