

FXTIF 65 Series

FXTIF | Fixed Length

- 12 gauge 316 Stainless Steel grate and channel
- Pre-pitched channel with "Fixed" lengths and "Fixed" center outlet
- Not site sizeable
- Indoor or outdoor use
- Works with 2" clamp down floor drain with 2" throat (strainer size) (not included)
- Uses Hot Mop, Lead Pan, PVC Vinyl Liner, Rubber Liner (Chloraloy™) Copper Pan or Fiberglass waterproofing
- Grate can be removed completely for cleaning
- Flow rate 9 GPM per outlet*

*Flow rate measured at outlet only. Measurement does not account for water in channel or sheeting on shower floor.

Finishes:

- ___ Satin Stainless
- ___ Polished Stainless
- ___ Matte White
- ___ Matte Black



Complete Kits:

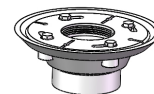
FXTIF 6520	20" Complete Kit
FXTIF 6540	40" Complete Kit
FXTIF 6548	48" Complete Kit
FXTIF 6560	60" Complete Kit

Components:

TA 6520	20" Stainless Steel Grate
TA 6540	40" Stainless Steel Grate
TA 6548	48" Stainless Steel Grate
TA 6560	60" Stainless Steel Grate
IC 6520	20" Stainless Steel Fixed Channel
IC 6540	40" Stainless Steel Fixed Channel
IC 6548	48" Stainless Steel Fixed Channel
IC 6560	60" Stainless Steel Fixed Channel
TNAS	Stainless Steel Threaded Nipple
TKEY	Lift Out Key

Add Clamp Down Drain:

CDA 22	Clamp Down Drain ABS
CDI 22	Clamp Down Drain Cast Iron
CDP 22	Clamp Down Drain PVC

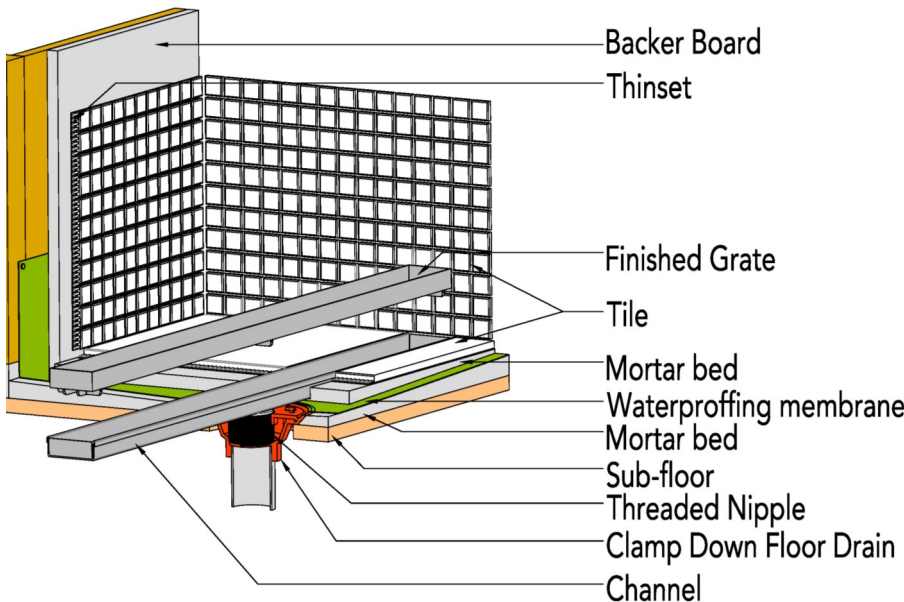


2" clamp down drain not included in kit

Optional Components:

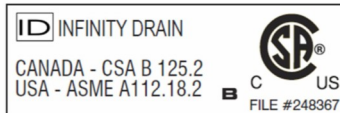
TNRN	Stainless Steel Threaded Nipple (3" extension)
UCP 2	Universal 2" Clamping Plate
UCP 4	Universal 4" Clamping Plate
ERB	Eccentric Reducer Bushing 4"x2"

Installation (FX) Fixed



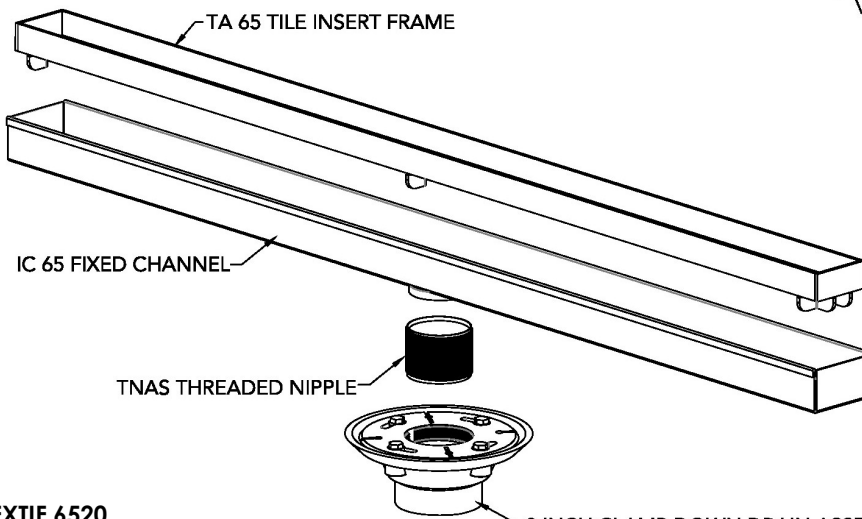
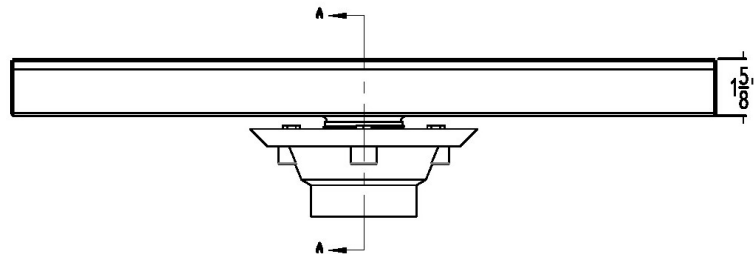
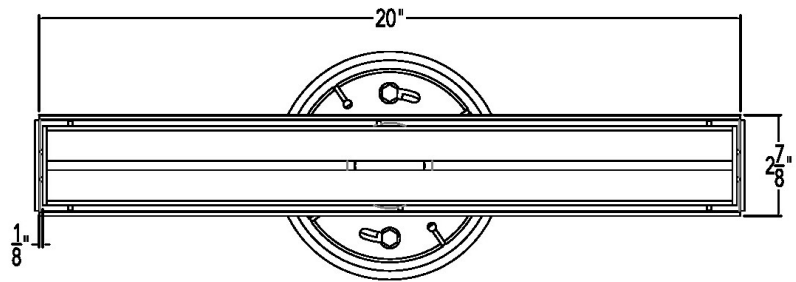
Infinity Drain

18 Secatoag Avenue
 Port Washington, NY 11050
 Phone: 516.767.6786
 Fax: 516.740.3066
 www.InfinityDrain.com



Note: Installer must verify all rough-in dimensions prior to installation and consult local and national codes. Conformity and compliance to local and national codes are the responsibility of the installer.

FXTIF 6520 Specifications

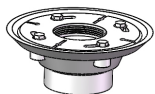


FXTIF 6520
20" Complete Kit Includes:
 (20 1/8" l x 2 7/8" w x 1 5/8" h)

- 1 - TA 6520 Stainless Steel Grate
- 1 - IC 6520 Fixed Channel
- 1 - TNAS Threaded Nipple

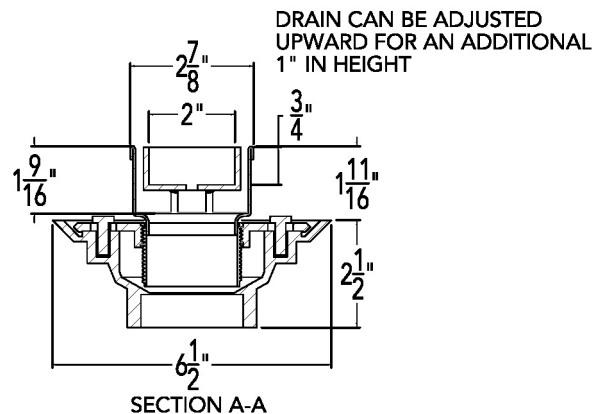
Add Clamp Down Drain:

- CDA 22 Clamp Down Drain ABS
- CDI 22 Clamp Down Drain Cast Iron
- CDP 22 Clamp Down Drain PVC

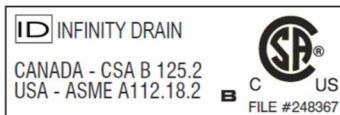


2" clamp down drain not included in kit

2 INCH CLAMP DOWN DRAIN ASSEMBLY
 NOT INCLUDED IN KIT SKU
 (MATERIAL CAN BE CAST IRON, ABS OR PVC)



Infinity Drain
 18 Secatoag Avenue
 Port Washington, NY 11050
 Phone: 516.767.6786
 Fax: 516.740.3066
 www.InfinityDrain.com



Note: Installer must verify all rough-in dimensions prior to installation and consult local and national codes. Conformity and compliance to local and national codes are the responsibility of the installer.