

# FXED 65 Series



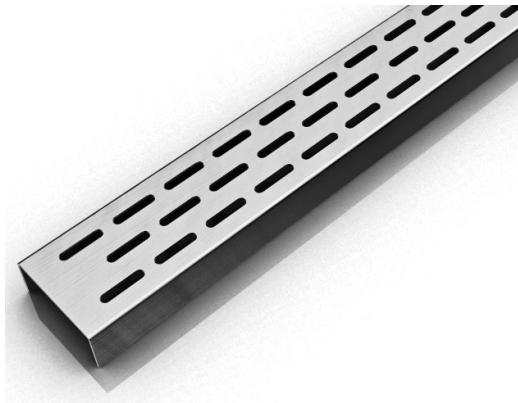
## FXED 65 | Fixed Length

- 16 gauge 304 Stainless Steel grate and channel
- Pre-pitched channel with "Fixed" lengths and "Fixed" center outlet
- Not site sizeable
- Indoor or outdoor use
- Works with 2" clamp down floor drain with 2" throat (strainer size) (not included)
- Uses Hot Mop, Lead Pan, PVC Vinyl Liner, Rubber Liner (Chloraloy™) Copper Pan or Fiberglass waterproofing
- Grate can be removed completely for cleaning
- Flow rate 9 GPM per outlet\*

\*Flow rate measured at outlet only. Measurement does not account for water in channel or sheeting on shower floor.

### Finishes:

- \_\_\_ Satin Stainless
- \_\_\_ Polished Stainless
- \_\_\_ Lifetime Oil
- \_\_\_ Rubbed Bronze



### Complete Kits:

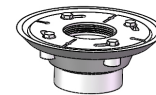
- FXED 6532 32" Complete Kit
- FXED 6536 36" Complete Kit
- FXED 6542 42" Complete Kit
- FXED 6548 48" Complete Kit
- FXED 6560 60" Complete Kit

### Components:

- EA 6532 32" Stainless Steel Grate
- EA 6536 36" Stainless Steel Grate
- EA 6542 42" Stainless Steel Grate
- EA 6548 48" Stainless Steel Grate
- EA 6560 60" Stainless Steel Grate
- XC 6532 32" Stainless Steel Fixed Channel
- XC 6536 36" Stainless Steel Fixed Channel
- XC 6542 42" Stainless Steel Fixed Channel
- XC 6548 48" Stainless Steel Fixed Channel
- XC 6560 60" Stainless Steel Fixed Channel
- TNAS Stainless Steel Threaded Nipple

### Add Clamp Down Drain:

- CDA 22 Clamp Down Drain ABS
- CDI 22 Clamp Down Drain Cast Iron
- CDP 22 Clamp Down Drain PVC

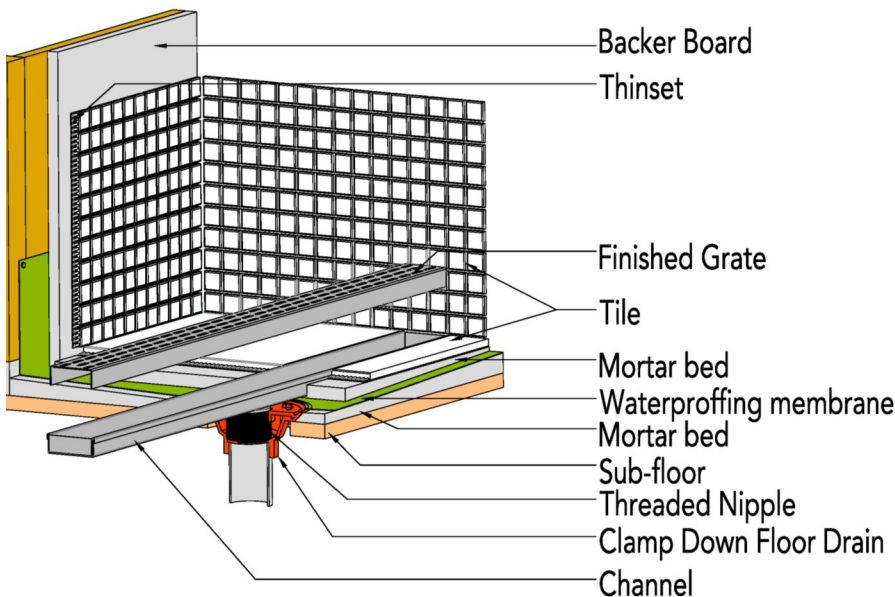


2" clamp down drain not included in kit

### Optional Components:

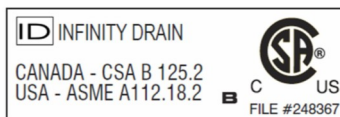
- TNRN Stainless Steel Threaded Nipple (3" extension)
- UCP 2 Universal 2" Clamping Plate
- UCP 4 Universal 4" Clamping Plate
- ERB Eccentric Reducer Bushing 4"x2"

## Installation (FX) Fixed



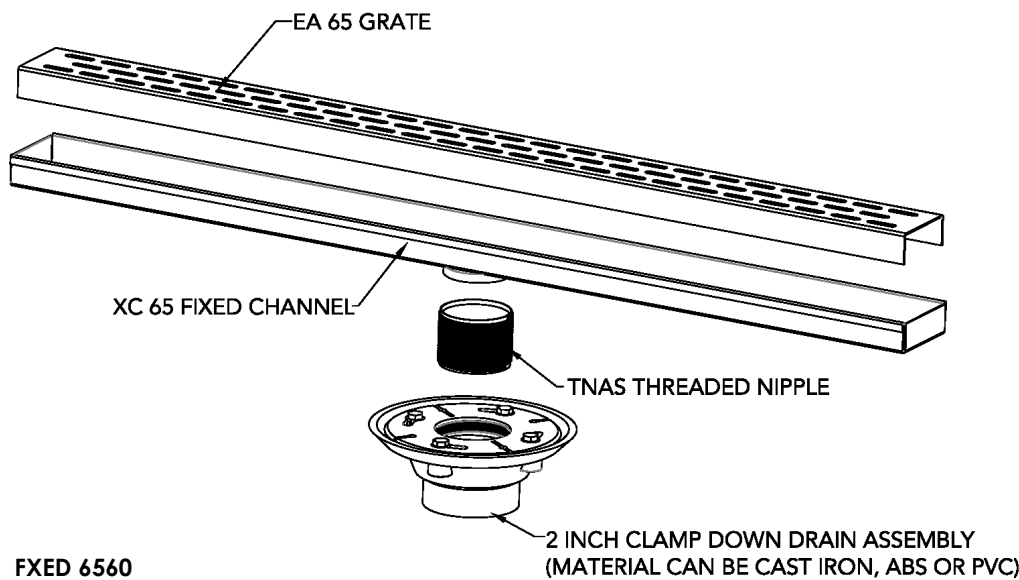
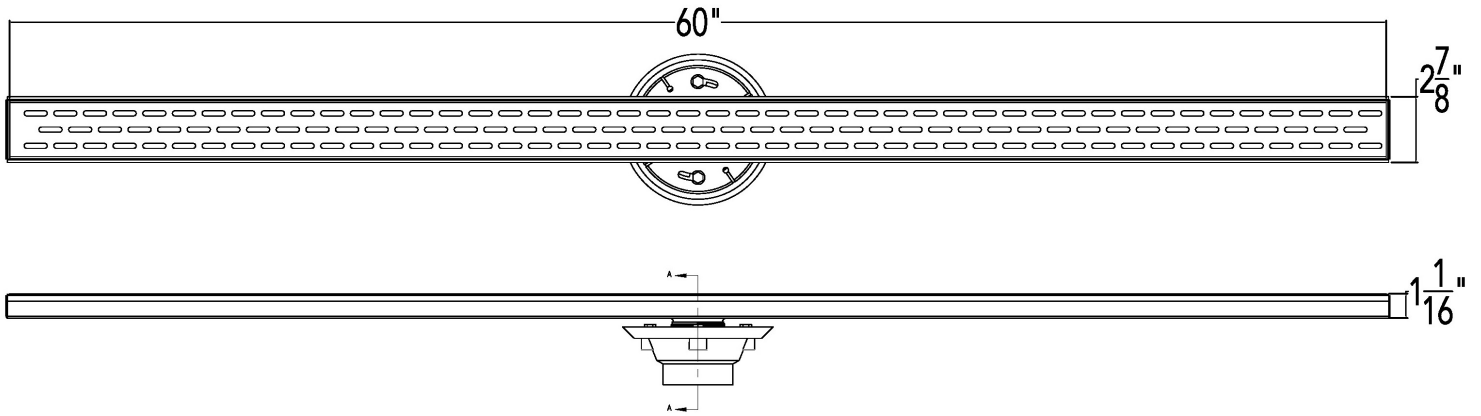
### Infinity Drain

18 Secatoag Avenue  
 Port Washington, NY 11050  
 Phone: 516.767.6786  
 Fax: 516.740.3066  
 www.InfinityDrain.com



**Note:** Installer must verify all rough-in dimensions prior to installation and consult local and national codes. Conformity and compliance to local and national codes are the responsibility of the installer.

# FXED 6560 Specifications



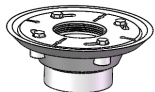
## FXED 6560

### 60" Complete Kit Includes:

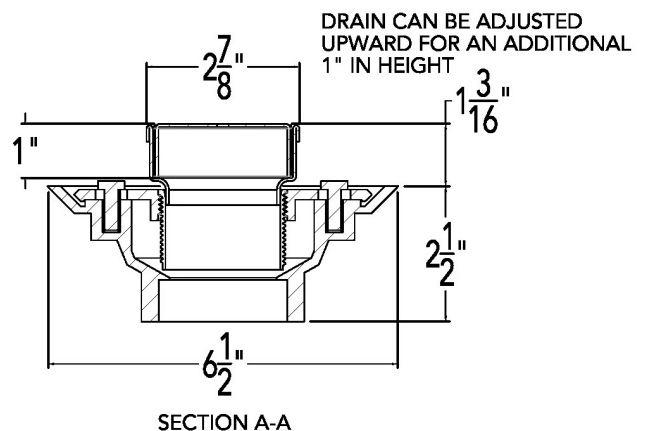
- (60 1/8" l x 2 7/8" w x 1" h)
- 1 - EA 6548 Stainless Steel Grate
- 1 - XC 6548 Fixed Channel
- 1 - TNAS Threaded Nipple

### Add Clamp Down Drain:

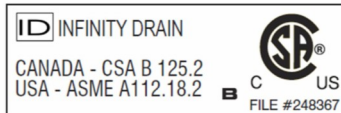
- CDA 22 Clamp Down Drain ABS
- CDI 22 Clamp Down Drain Cast Iron
- CDP 22 Clamp Down Drain PVC



2" clamp down drain not included in kit



**Infinity Drain**  
 18 Secatoag Avenue  
 Port Washington, NY 11050  
 Phone: 516.767.6786  
 Fax: 516.740.3066  
 www.InfinityDrain.com



**Note:** Installer must verify all rough-in dimensions prior to installation and consult local and national codes. Conformity and compliance to local and national codes are the responsibility of the installer.