

# FXAS 65 Series



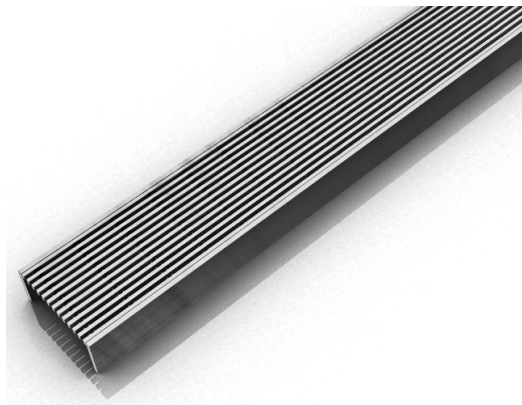
## FXAS 65 | Fixed Length

- 12 gauge 316 Stainless Steel grate and channel
- Pre-pitched channel with "Fixed" lengths and "Fixed" center outlet
- Not site sizeable
- Indoor or outdoor use
- Works with 2" clamp down floor drain with 2" throat (strainer size) (not included)
- Uses Hot Mop, Lead Pan, PVC Vinyl Liner, Rubber Liner (Chloraloy™) Copper Pan or Fiberglass waterproofing
- Grate can be removed completely for cleaning
- Flow rate 9 GPM per outlet\*

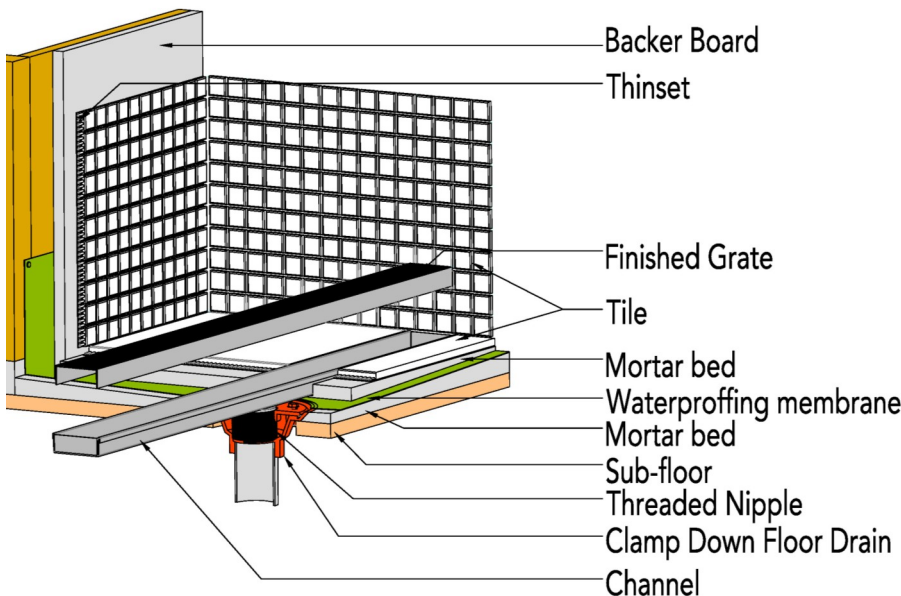
\*Flow rate measured at outlet only. Measurement does not account for water in channel or sheeting on shower floor.

### Finishes:

- \_\_\_ Satin Stainless
- \_\_\_ Polished Stainless
- \_\_\_ Matte White
- \_\_\_ Matte Black



## Installation (FX) Fixed



### Complete Kits:

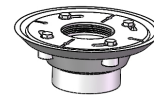
FXAS 6532	32" Complete Kit
FXAS 6536	36" Complete Kit
FXAS 6542	42" Complete Kit
FXAS 6548	48" Complete Kit
FXAS 6560	60" Complete Kit

### Components:

SA 6532	32" Stainless Steel Grate
SA 6536	36" Stainless Steel Grate
SA 6542	42" Stainless Steel Grate
SA 6548	48" Stainless Steel Grate
SA 6560	60" Stainless Steel Grate
XC 6532	32" Stainless Steel Fixed Channel
XC 6536	36" Stainless Steel Fixed Channel
XC 6542	42" Stainless Steel Fixed Channel
XC 6548	48" Stainless Steel Fixed Channel
XC 6560	60" Stainless Steel Fixed Channel
TNAS	Stainless Steel Threaded Nipple

### Add Clamp Down Drain:

CDA 22	Clamp Down Drain ABS
CDI 22	Clamp Down Drain Cast Iron
CDP 22	Clamp Down Drain PVC

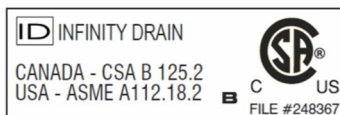


2" clamp down drain not included in kit

### Optional Components:

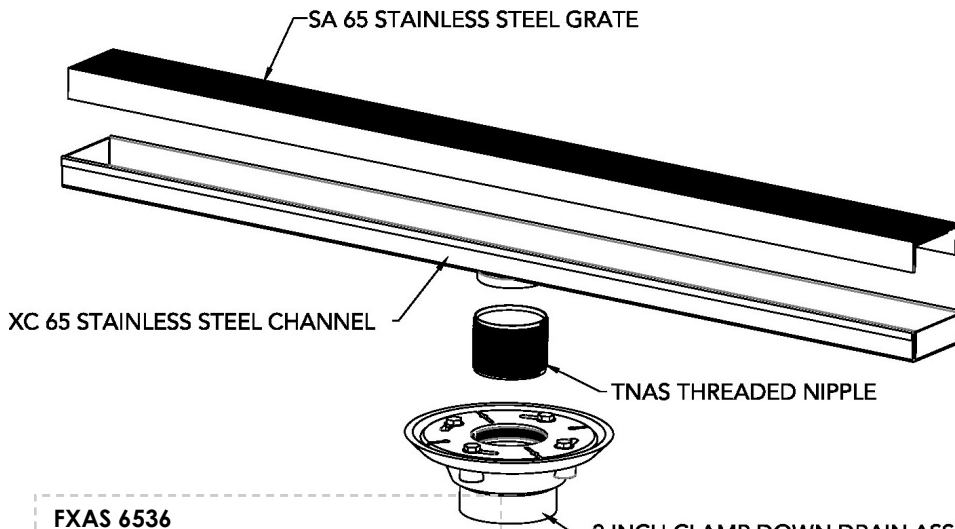
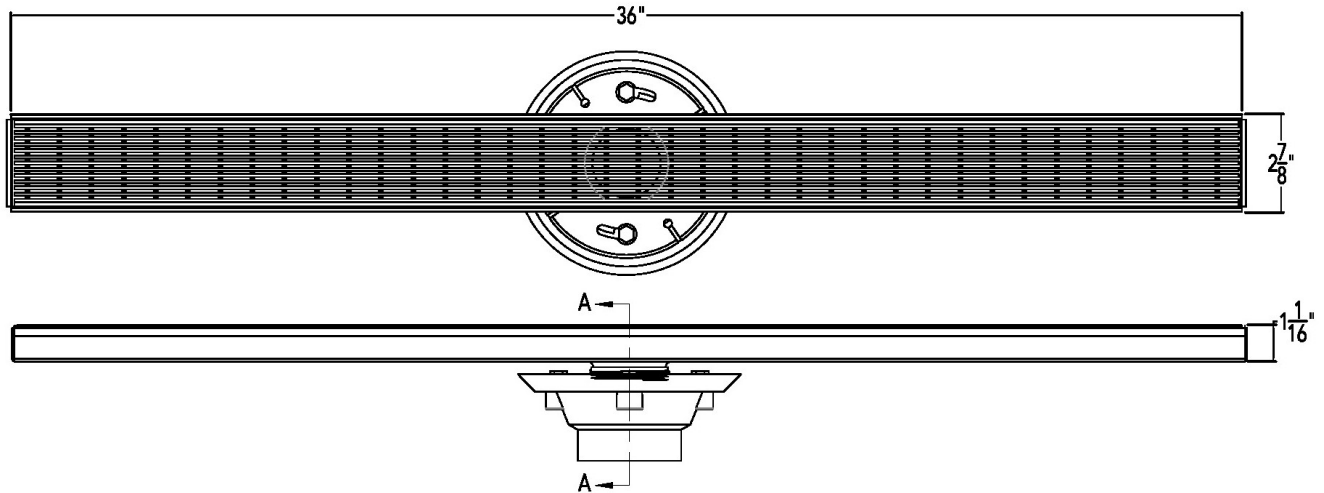
TNRN	Stainless Steel Threaded Nipple (3" extension)
UCP 2	Universal 2" Clamping Plate
UCP 4	Universal 4" Clamping Plate
ERB	Eccentric Reducer Bushing 4"x2"

**Infinity Drain**  
 18 Secatoag Avenue  
 Port Washington, NY 11050  
 Phone: 516.767.6786  
 Fax: 516.740.3066  
 www.InfinityDrain.com



**Note:** Installer must verify all rough-in dimensions prior to installation and consult local and national codes. Conformity and compliance to local and national codes are the responsibility of the installer.

# FXAS 6536 Specifications



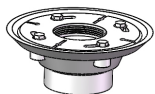
## FXAS 6536

### 36" Complete Kit Includes:

- (36 1/8" l x 2 7/8" w x 1" h)
- 1 - SA 6536 Stainless Steel Grate
- 1 - XC 6536 Fixed Channel
- 1 - TNAS Threaded Nipple

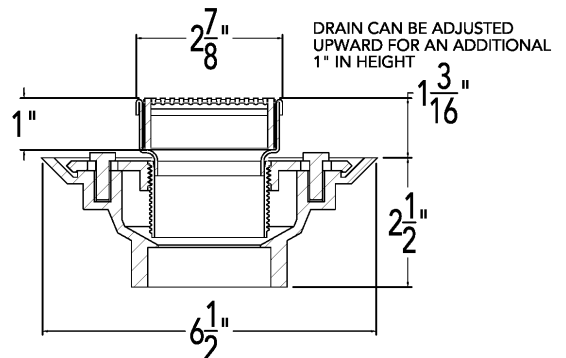
### Add Clamp Down Drain:

- CDA 22 Clamp Down Drain ABS
- CDI 22 Clamp Down Drain Cast Iron
- CDP 22 Clamp Down Drain PVC



2" clamp down drain not included in kit

2 INCH CLAMP DOWN DRAIN ASSEMBLY  
NOT INCLUDED IN KIT SKU  
(MATERIAL CAN BE CAST IRON, ABS OR PVC)



SECTION A-A

**Note:** Installer must verify all rough-in dimensions prior to installation and consult local and national codes. Conformity and compliance to local and national codes are the responsibility of the installer.

## Infinity Drain

18 Secatoag Avenue  
Port Washington, NY 11050  
Phone: 516.767.6786  
Fax: 516.740.3066  
www.InfinityDrain.com

