

# FTED 25 Series

## FTED 25 | Fixed Length

- 16 gauge 304 Stainless Steel grate and channel
- Pre-pitched channel with "Fixed" lengths and "Fixed" center side "tunnel" outlet location
- Not site sizeable
- Indoor or outdoor use
- Bonded "Flange" installation for flush against the wall
- Allows waste line to connect horizontally to save floor height and waste line relocation
- Lowest height for curbless installations
- Uses Liquid and Fabric Sheet Membrane waterproofing
- Grate can be removed completely for cleaning
- Flow rate 9 GPM per outlet\*

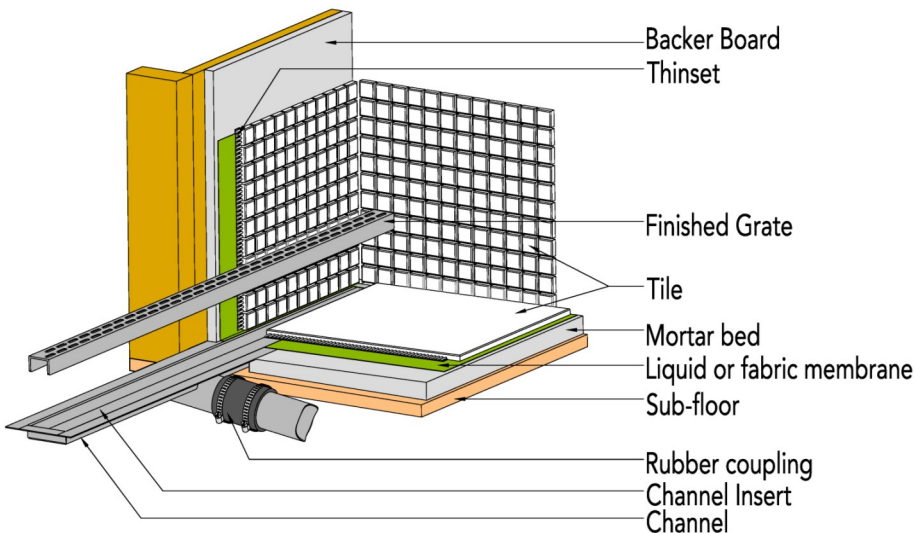
\*Flow rate measured at outlet only. Measurement does not account for water in channel or sheeting on shower floor.

### Finishes:

- \_\_\_ Satin Stainless
- \_\_\_ Polished Stainless



## Installation (FT) Flange Tunnel



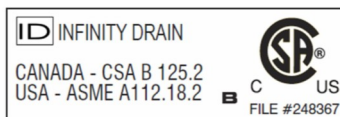
### Complete Kits:

|           |                  |
|-----------|------------------|
| FTED 2532 | 32" Complete Kit |
| FTED 2536 | 36" Complete Kit |
| FTED 2542 | 42" Complete Kit |
| FTED 2548 | 48" Complete Kit |
| FTED 2560 | 60" Complete Kit |

### Components:

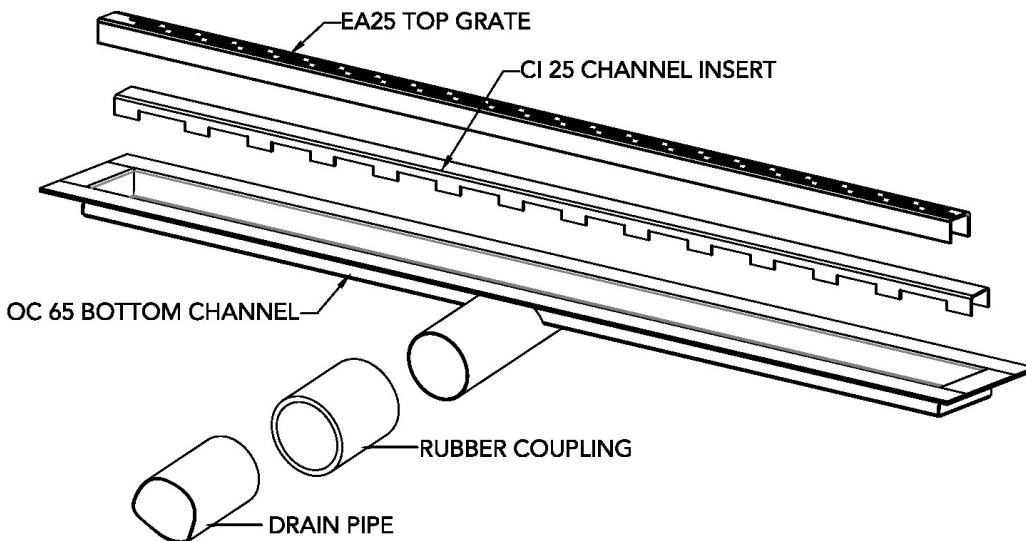
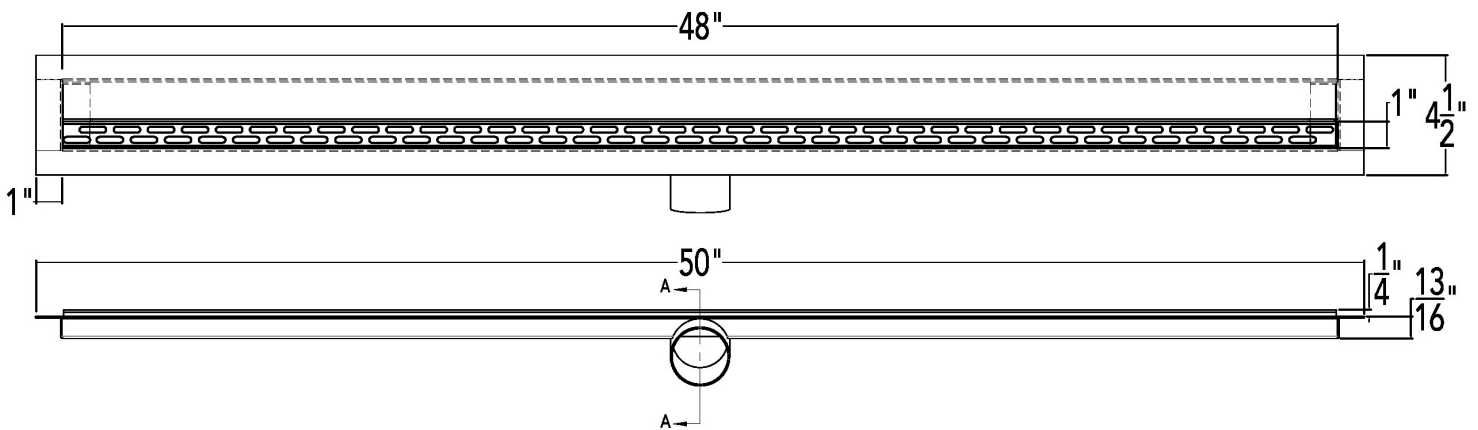
|         |                           |
|---------|---------------------------|
| EA 2532 | 32" Stainless Steel Grate |
| EA 2536 | 36" Stainless Steel Grate |
| EA 2542 | 42" Stainless Steel Grate |
| EA 2548 | 48" Stainless Steel Grate |
| EA 2560 | 60" Stainless Steel Grate |
| OC 6532 | 32" Fixed Flange Channel  |
| OC 6536 | 36" Fixed Flange Channel  |
| OC 6542 | 42" Fixed Flange Channel  |
| OC 6548 | 48" Fixed Flange Channel  |
| OC 6560 | 60" Fixed Flange Channel  |
| CI 2532 | 32" Channel Insert        |
| CI 2536 | 36" Channel Insert        |
| CI 2542 | 42" Channel Insert        |
| CI 2548 | 48" Channel Insert        |
| CI 2560 | 60" Channel Insert        |

**Infinity Drain**  
 18 Secatoag Avenue  
 Port Washington, NY 11050  
 Phone: 516.767.6786  
 Fax: 516.740.3066  
 www.InfinityDrain.com

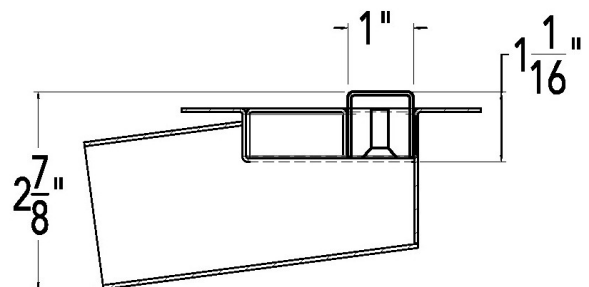


**Note:** Installer must verify all rough-in dimensions prior to installation and consult local and national codes. Conformity and compliance to local and national codes are the responsibility of the installer.

# FTED 2548 Specifications



DRAIN CAN BE ADJUSTED UPWARD FOR AN ADDITIONAL 1/2" IN HEIGHT



SECTION A-A

## FTED 2548

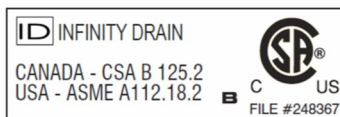
### 48" Complete Kit Includes:

(50 1/8" l x 4 1/2" w x 1 3/16" h)

- 1 - EA 2548 Grate
- 1 - OC 6548 Fixed Flange Channel
- 1 - CI 2548 Channel Insert

## Infinity Drain

18 Secatoag Avenue  
 Port Washington, NY 11050  
 Phone: 516.767.6786  
 Fax: 516.740.3066  
 www.InfinityDrain.com



**Note:** Installer must verify all rough-in dimensions prior to installation and consult local and national codes. Conformity and compliance to local and national codes are the responsibility of the installer.