

FTDG 25 Series

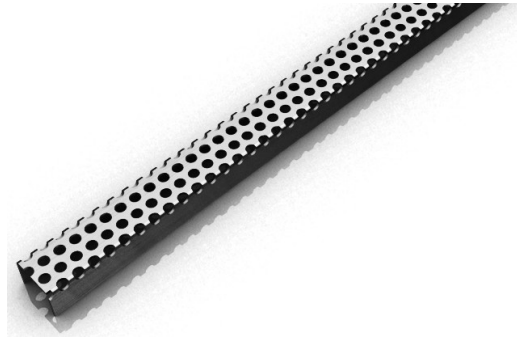
FTDG 25 | Fixed Length

- 16 gauge 304 Stainless Steel grate and channel
- Pre-pitched channel with "Fixed" lengths and "Fixed" center side "tunnel" outlet location
- Not site sizeable
- Indoor or outdoor use
- Bonded "Flange" installation for flush against the wall
- Allows waste line to connect horizontally to save floor height and waste line relocation
- Lowest height for curbless installations
- Uses Liquid and Fabric Sheet Membrane waterproofing
- Grate can be removed completely for cleaning
- Flow rate 9 GPM per outlet*

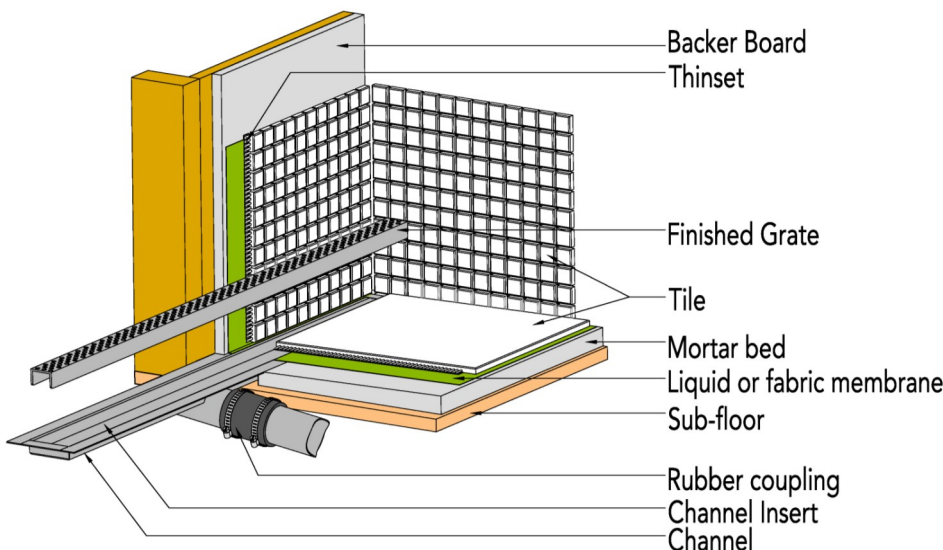
*Flow rate measured at outlet only. Measurement does not account for water in channel or sheeting on shower floor.

Finishes:

- ___ Satin Stainless
- ___ Polished Stainless



Installation (FT) Flange Tunnel



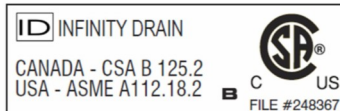
Complete Kits:

- FTDG 2532 32" Complete Kit
- FTDG 2536 36" Complete Kit
- FTDG 2542 42" Complete Kit
- FTDG 2548 48" Complete Kit
- FTDG 2560 60" Complete Kit

Components:

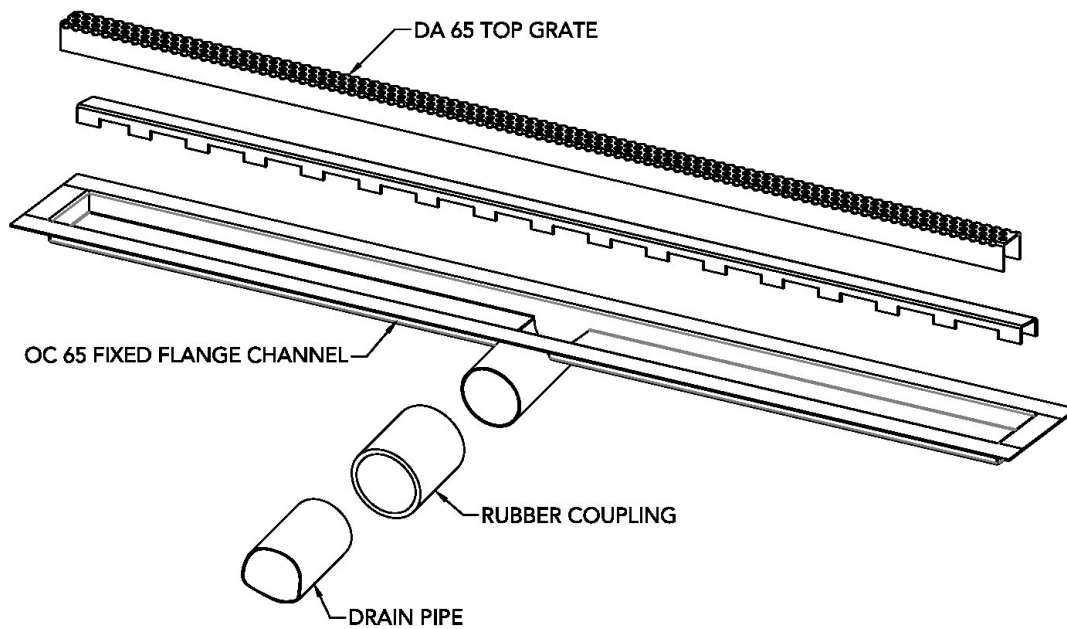
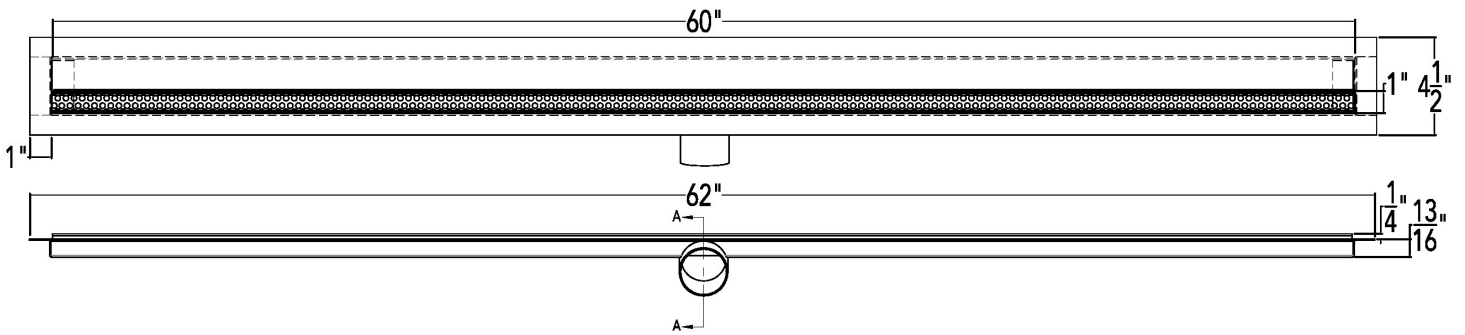
- DA 2532 32" Stainless Steel Grate
- DA 2536 36" Stainless Steel Grate
- DA 2542 42" Stainless Steel Grate
- DA 2548 48" Stainless Steel Grate
- DA 2560 60" Stainless Steel Grate
- OC 6532 32" Fixed Flange Channel
- OC 6536 36" Fixed Flange Channel
- OC 6542 42" Fixed Flange Channel
- OC 6548 48" Fixed Flange Channel
- OC 6560 60" Fixed Flange Channel
- CI 2532 32" Channel Insert
- CI 2536 36" Channel Insert
- CI 2542 42" Channel Insert
- CI 2548 48" Channel Insert
- CI 2560 60" Channel Insert

Infinity Drain
18 Secatoag Avenue
Port Washington, NY 11050
Phone: 516.767.6786
Fax: 516.740.3066
www.InfinityDrain.com

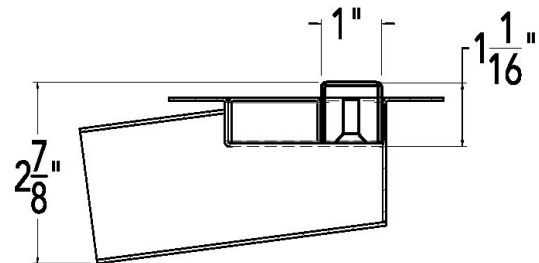


Note: Installer must verify all rough-in dimensions prior to installation and consult local and national codes. Conformity and compliance to local and national codes are the responsibility of the installer.

FTDG 2560 Specifications



DRAIN CAN BE ADJUSTED UPWARD FOR AN ADDITIONAL 1/2" IN HEIGHT



SECTION A-A

FTDG 2560

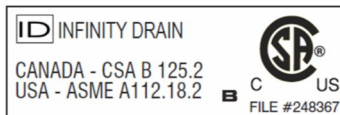
60" Complete Kit Includes:

(62 1/8" l x 4 1/2" w x 1 13/16" h)

- 1 - DA 2560 Grate
- 1 - OC 6560 Fixed Flange Channel
- 1 - CI 2560 Channel Insert

Infinity Drain

18 Secatoag Avenue
 Port Washington, NY 11050
 Phone: 516.767.6786
 Fax: 516.740.3066
 www.InfinityDrain.com



Note: Installer must verify all rough-in dimensions prior to installation and consult local and national codes. Conformity and compliance to local and national codes are the responsibility of the installer.