

# FFMN 65 Series

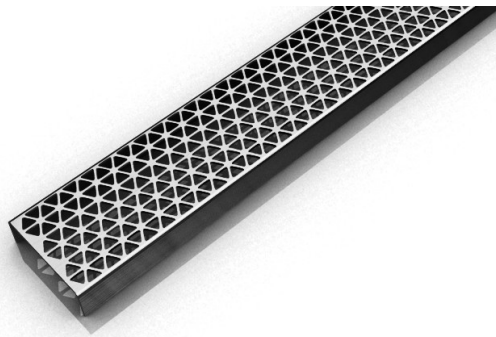


## FFMN 65 | Fixed Length

- 14 gauge 304 Stainless Steel grate
  - 16 gauge 304 Stainless Steel channel
  - Pre-pitched channel with "Fixed" lengths and "Fixed" center vertical (down) outlet location
  - Not site sizeable
  - Indoor or outdoor use
  - Bonded "Flange" installation for flush against the wall.
  - Lowest height for curbless installations
  - Uses Liquid and Fabric Sheet Membrane waterproofing
  - Grate can be removed completely for cleaning
  - Flow rate 9 GPM per outlet\*
- \*Flow rate measured at outlet only. Measurement does not account for water in channel or sheeting on shower floor.*

### Finishes:

- \_\_\_ Satin Stainless
- \_\_\_ Polished Stainless
- \_\_\_ Lifetime Oil
- \_\_\_ Rubbed Bronze
- \_\_\_ Matte White
- \_\_\_ Matte Black



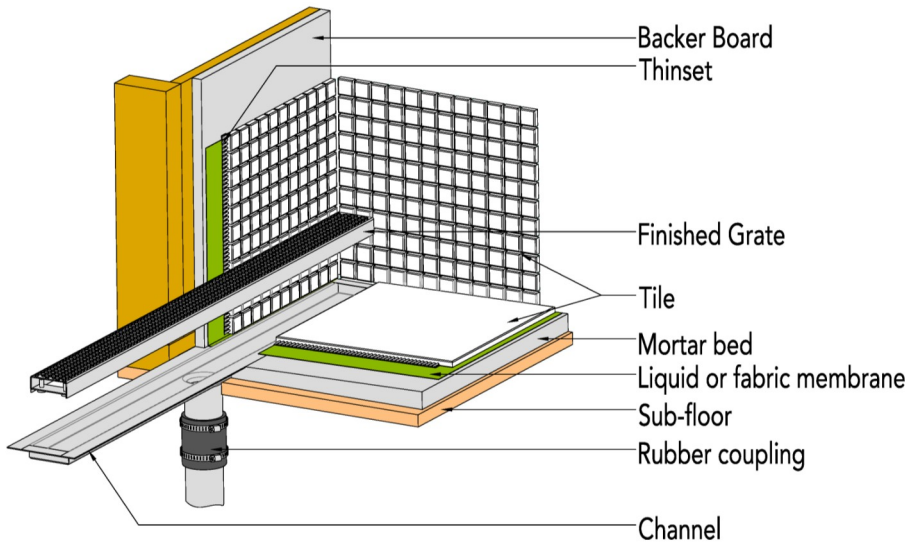
### Complete Kits:

- FFMN 6532 32" Complete Kit
- FFMN 6536 36" Complete Kit
- FFMN 6542 42" Complete Kit
- FFMN 6548 48" Complete Kit
- FFMN 6560 60" Complete Kit

### Components:

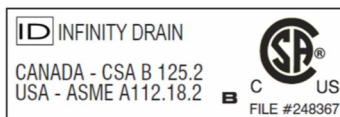
- MA 6532 32" Stainless Steel Grate
- MA 6536 36" Stainless Steel Grate
- MA 6542 42" Stainless Steel Grate
- MA 6548 48" Stainless Steel Grate
- MA 6560 60" Stainless Steel Grate
- FC 6532 32" Stainless Steel Fixed Channel
- FC 6536 36" Stainless Steel Fixed Channel
- FC 6542 42" Stainless Steel Fixed Channel
- FC 6548 48" Stainless Steel Fixed Channel
- FC 6560 60" Stainless Steel Fixed Channel

## Installation (FF) Fixed Flange



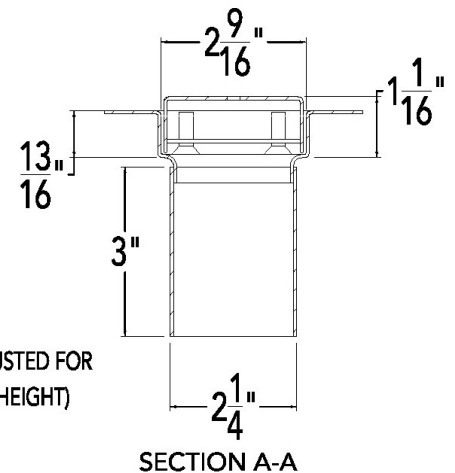
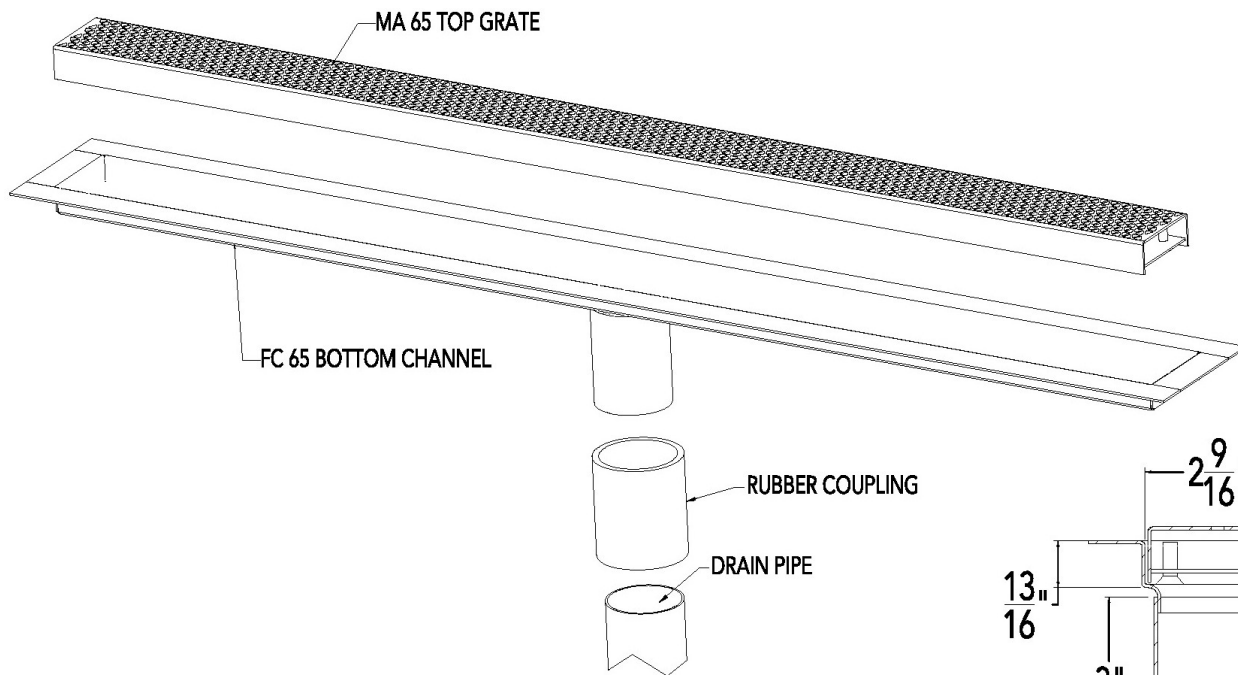
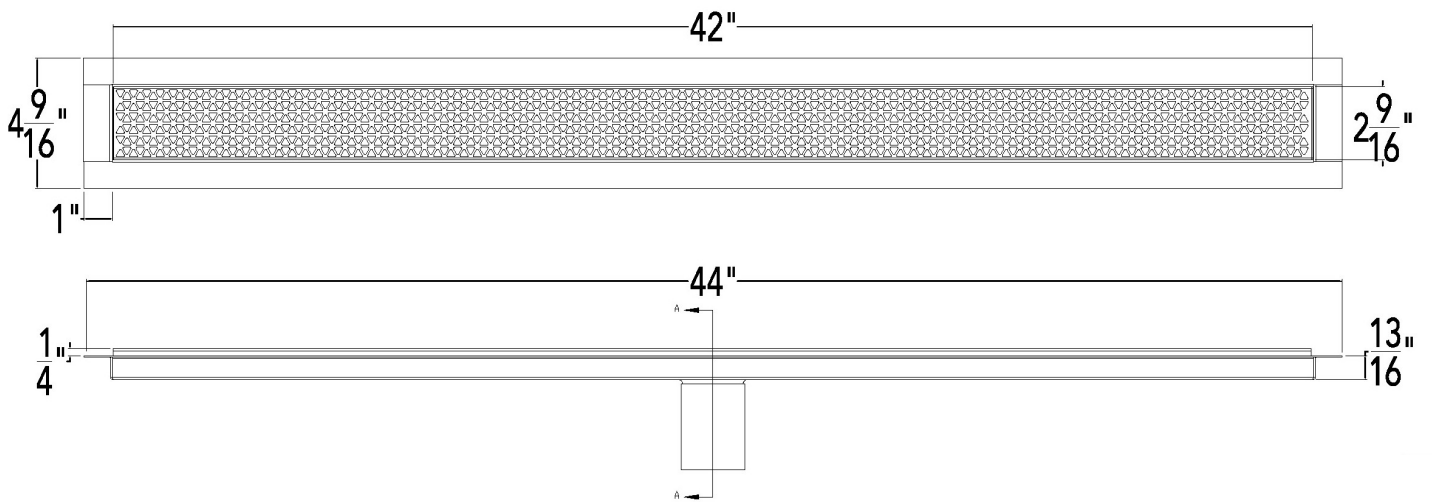
### Infinity Drain

18 Secatoag Avenue  
 Port Washington, NY 11050  
 Phone: 516.767.6786  
 Fax: 516.740.3066  
 www.InfinityDrain.com



**Note:** Installer must verify all rough-in dimensions prior to installation and consult local and national codes. Conformity and compliance to local and national codes are the responsibility of the installer.

# FFMN 6542 Specifications



## FFMN 6542

### 42" Complete Kit Includes:

(44 1/8" l x 4 1/2" w x 4 13/16" h)

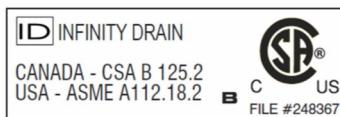
1 - MA 6542 Grate

1 - FC 6542 Fixed Flange Channel

(SCREWS CAN BE ADJUSTED FOR UP TO 1/2" ADDITIONAL HEIGHT)

## Infinity Drain

18 Secatoag Avenue  
Port Washington, NY 11050  
Phone: 516.767.6786  
Fax: 516.740.3066  
www.InfinityDrain.com



**Note:** Installer must verify all rough-in dimensions prior to installation and consult local and national codes. Conformity and compliance to local and national codes are the responsibility of the installer.