

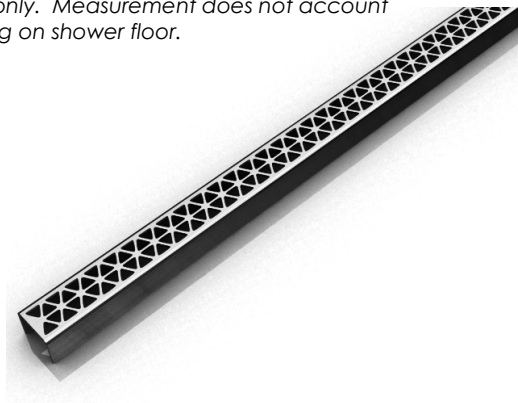
FFMN 25 Series

FFMN 25 | Fixed Length

- 14 gauge 304 Stainless Steel grate
 - 16 gauge 304 Stainless Steel channel
 - Pre-pitched channel with "Fixed" lengths and "Fixed" center vertical (down) outlet location
 - Not site sizeable
 - Indoor or outdoor use
 - Bonded "Flange" installation for flush against the wall.
 - Lowest height for curbless installations
 - Uses Liquid and Fabric Sheet Membrane waterproofing
 - Grate can be removed completely for cleaning
 - Flow rate 9 GPM per outlet*
- *Flow rate measured at outlet only. Measurement does not account for water in channel or sheeting on shower floor.*

Finishes:

- ___ Satin Stainless
- ___ Polished Stainless
- ___ Lifetime Oil
- ___ Rubbed Bronze
- ___ Matte White
- ___ Matte Black



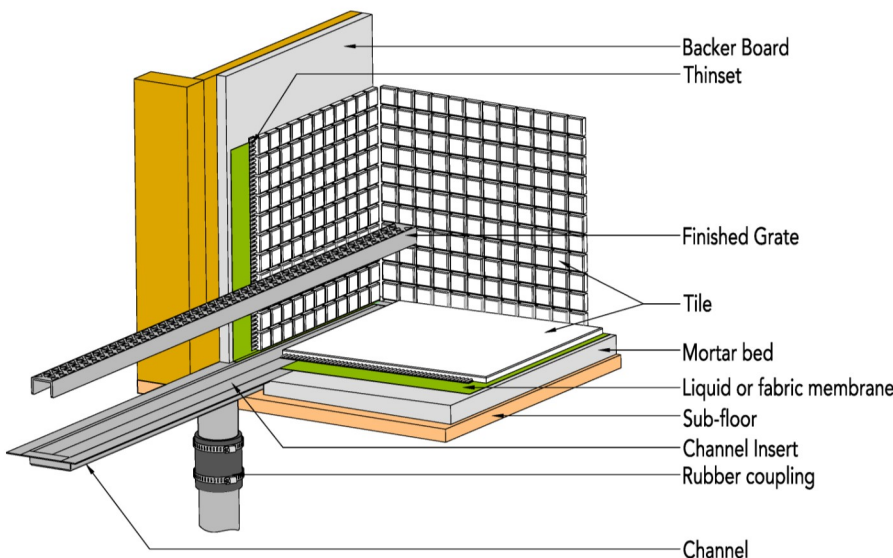
Complete Kits:

- FFMN 2532 32" Complete Kit
- FFMN 2536 36" Complete Kit
- FFMN 2542 42" Complete Kit
- FFMN 2548 48" Complete Kit
- FFMN 2560 60" Complete Kit

Components:

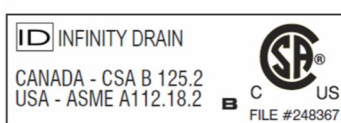
- MA 2532 32" Stainless Steel Grate
- MA 2536 36" Stainless Steel Grate
- MA 2542 42" Stainless Steel Grate
- MA 2548 48" Stainless Steel Grate
- MA 2560 60" Stainless Steel Grate
- FC 6532 32" Stainless Steel Fixed Channel
- FC 6536 36" Stainless Steel Fixed Channel
- FC 6542 42" Stainless Steel Fixed Channel
- FC 6548 48" Stainless Steel Fixed Channel
- FC 6560 60" Stainless Steel Fixed Channel
- CI 2532 32" Channel Insert
- CI 2536 36" Channel Insert
- CI 2542 42" Channel Insert
- CI 2548 48" Channel Insert
- CI 2560 60" Channel Insert

Installation (FF) Fixed Flange



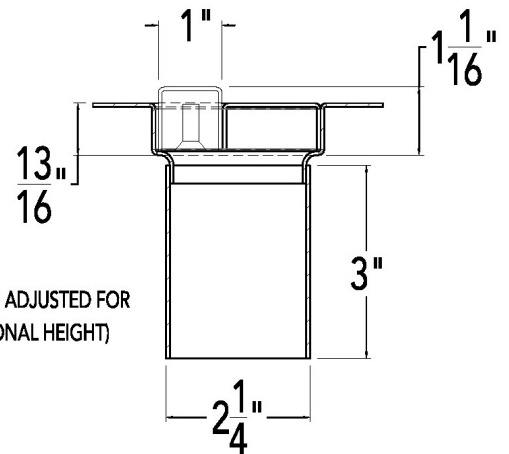
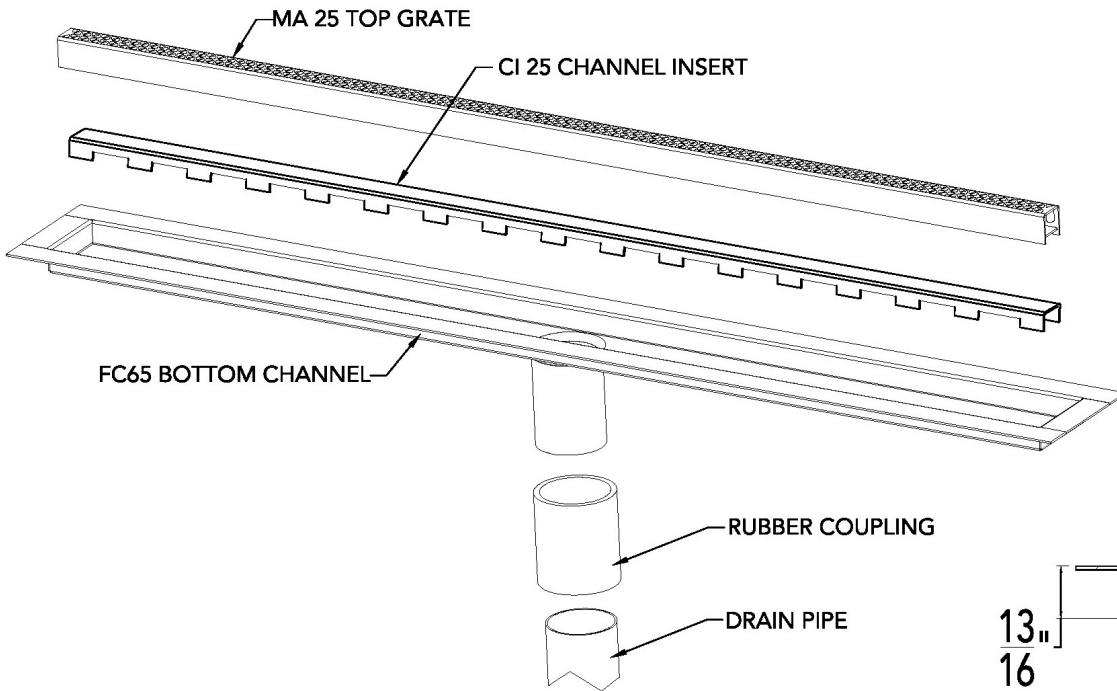
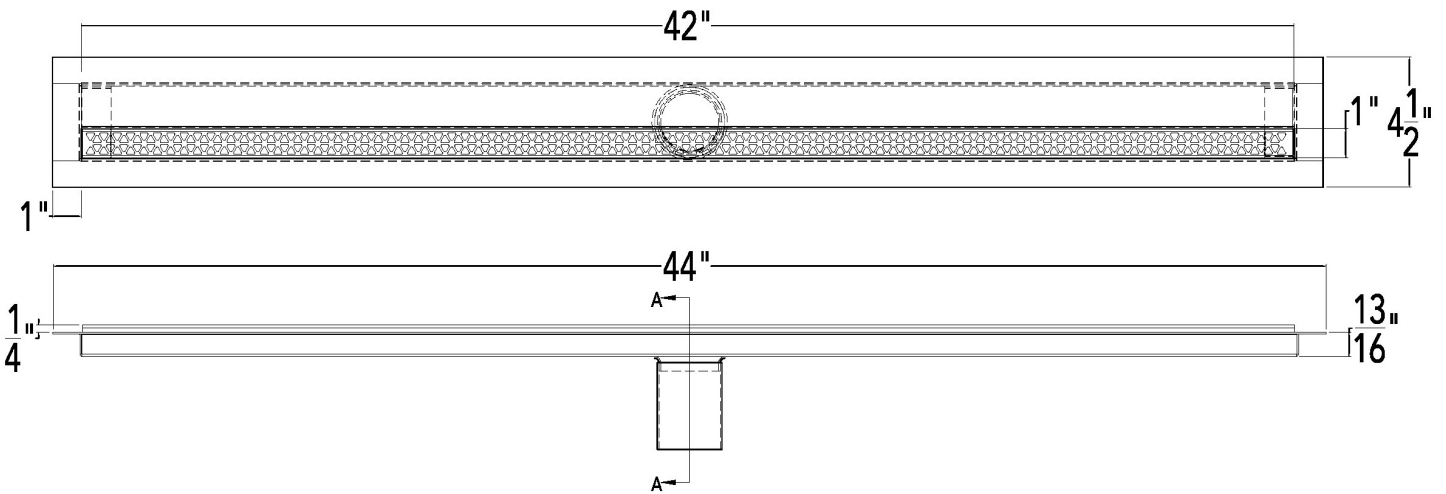
Infinity Drain

18 Secatoag Avenue
 Port Washington, NY 11050
 Phone: 516.767.6786
 Fax: 516.740.3066
 www.InfinityDrain.com



Note: Installer must verify all rough-in dimensions prior to installation and consult local and national codes. Conformity and compliance to local and national codes are the responsibility of the installer.

FFMN 2542 Specifications



(SCREWS CAN BE ADJUSTED FOR UP TO 1/2" ADDITIONAL HEIGHT)

FFMN 2542

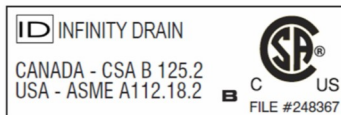
42" Complete Kit Includes:

(44 1/8" l x 4 1/2" w x 4 13/16" h)

- 1 - MA 2542 Grate
- 1 - FC 6542 Fixed Flange Channel
- 1 - CI 2542 Channel Insert

Infinity Drain

18 Secatoag Avenue
 Port Washington, NY 11050
 Phone: 516.767.6786
 Fax: 516.740.3066
 www.InfinityDrain.com



Note: Installer must verify all rough-in dimensions prior to installation and consult local and national codes. Conformity and compliance to local and national codes are the responsibility of the installer.