

FFED 65 Series

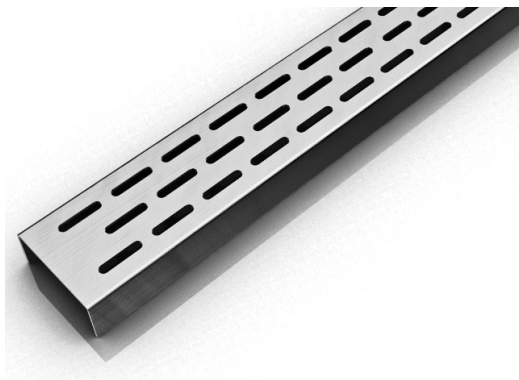
FFED 65 | Fixed Length

- 16 gauge 304 Stainless Steel grate and channel
- Pre-pitched channel with "Fixed" lengths and "Fixed" center vertical (down) outlet location
- Not site sizeable
- Indoor or outdoor use
- Bonded "Flange" installation for flush against the wall.
- Lowest height for curbless installations
- Uses Liquid and Fabric Sheet Membrane waterproofing
- Grate can be removed completely for cleaning
- Flow rate 9 GPM per outlet*

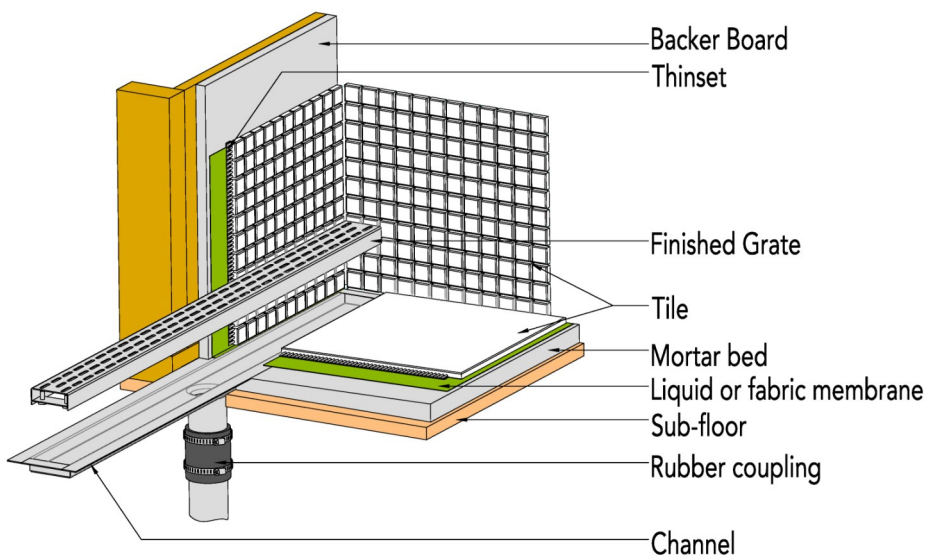
*Flow rate measured at outlet only. Measurement does not account for water in channel or sheeting on shower floor.

Finishes:

- ___ Satin Stainless
- ___ Polished Stainless
- ___ Lifetime Oil
- ___ Rubbed Bronze



Installation (FF) Fixed Flange



Complete Kits:

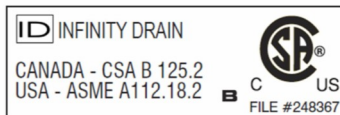
FFED 6524	24" Complete Kit
FFED 6532	32" Complete Kit
FFED 6536	36" Complete Kit
FFED 6542	42" Complete Kit
FFED 6548	48" Complete Kit
FFED 6560	60" Complete Kit

Components:

EA 6524	24" Stainless Steel Grate
EA 6532	32" Stainless Steel Grate
EA 6536	36" Stainless Steel Grate
EA 6542	42" Stainless Steel Grate
EA 6548	48" Stainless Steel Grate
EA 6560	60" Stainless Steel Grate
FC 6532	32" Stainless Steel Fixed Channel
FC 6536	36" Stainless Steel Fixed Channel
FC 6542	42" Stainless Steel Fixed Channel
FC 6548	48" Stainless Steel Fixed Channel
FC 6560	60" Stainless Steel Fixed Channel

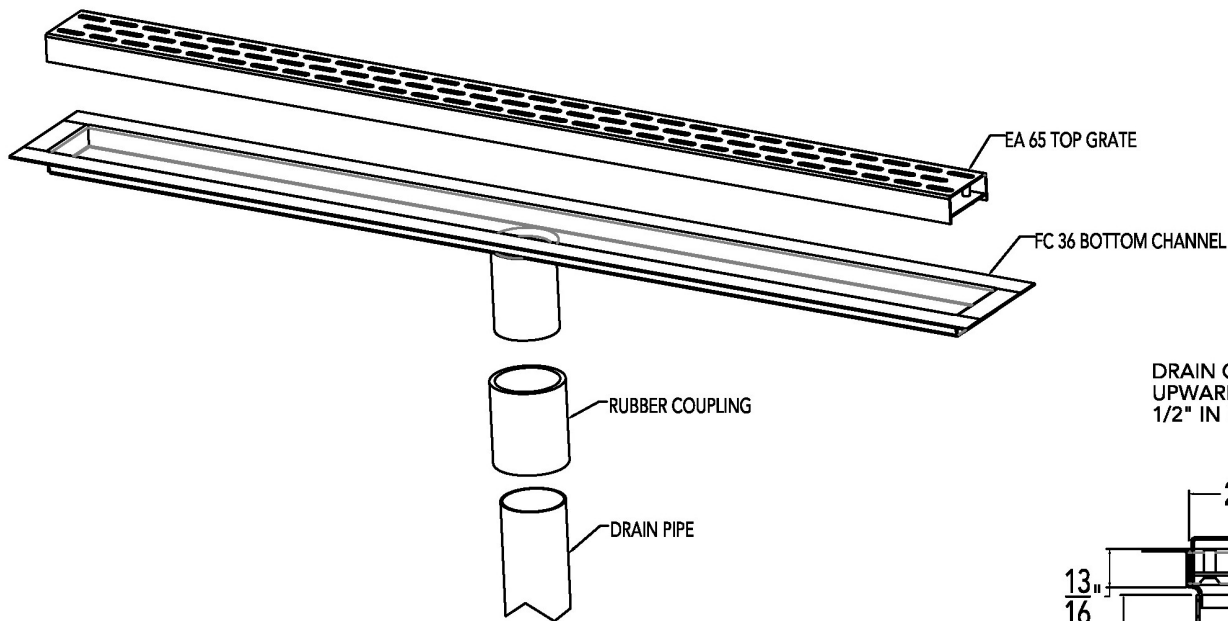
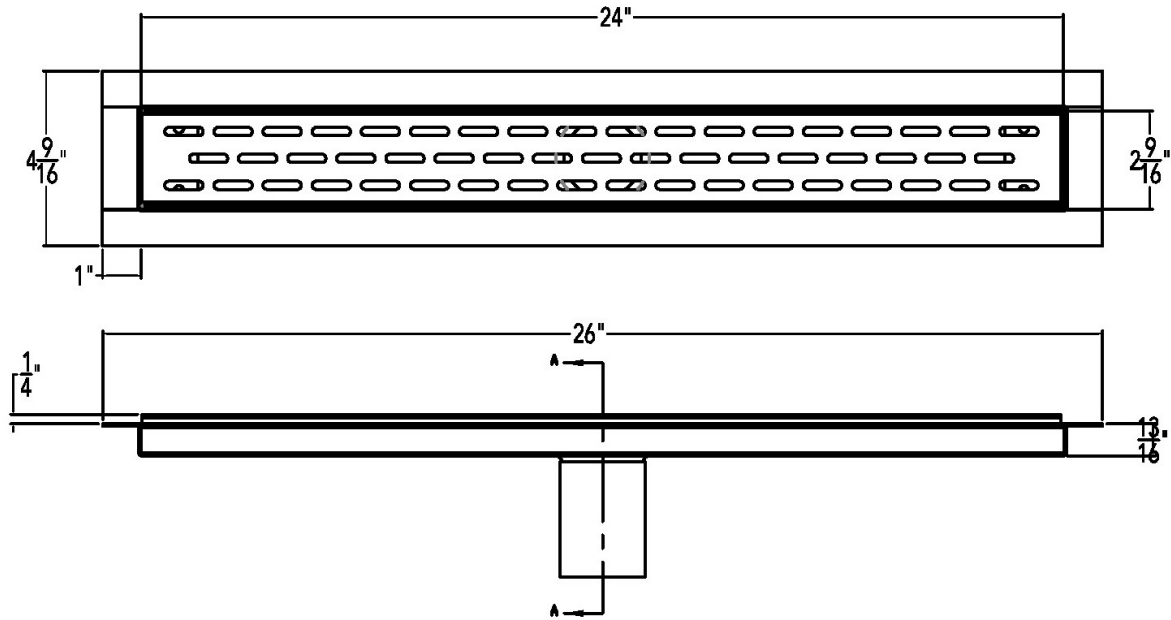
Infinity Drain

18 Secatoag Avenue
 Port Washington, NY 11050
 Phone: 516.767.6786
 Fax: 516.740.3066
 www.InfinityDrain.com

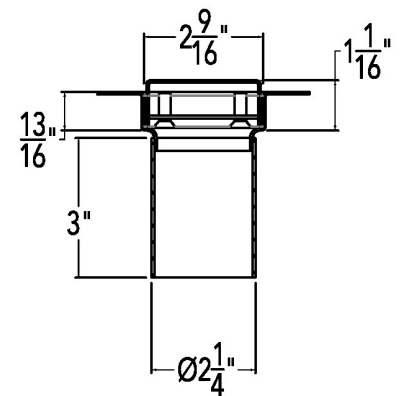


Note: Installer must verify all rough-in dimensions prior to installation and consult local and national codes. Conformity and compliance to local and national codes are the responsibility of the installer.

FFED 6524 Specifications



DRAIN CAN BE ADJUSTED UPWARD FOR AN ADDITIONAL 1/2" IN HEIGHT



SECTION A-A

FFED 6524

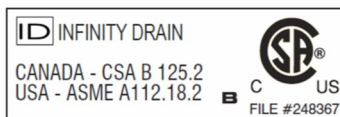
24" Complete Kit Includes:

(26 1/8" l x 4 1/2" w x 4 1/16" h)

- 1 - EA 6524 Stainless Steel Grate
- 1 - FC 6524 Fixed Flange Channel

Infinity Drain

18 Secatoag Avenue
 Port Washington, NY 11050
 Phone: 516.767.6786
 Fax: 516.740.3066
 www.InfinityDrain.com



Note: Installer must verify all rough-in dimensions prior to installation and consult local and national codes. Conformity and compliance to local and national codes are the responsibility of the installer.