

FFAS 125 Series



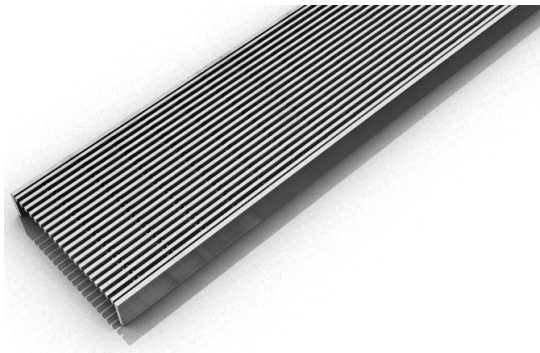
FFAS 125 | Fixed Length

- 12 gauge 316 Stainless Steel grate
- 16 gauge 304 Stainless Steel channel
- Pre-pitched channel with "Fixed" lengths and "Fixed" center vertical (down) outlet location
- Not site sizeable
- Indoor or outdoor use
- Bonded "Flange" installation for flush against the wall.
- Lowest height for curbless installations
- Uses Liquid and Fabric Sheet Membrane waterproofing
- Grate can be removed completely for cleaning
- Flow rate 21 GPM per outlet*

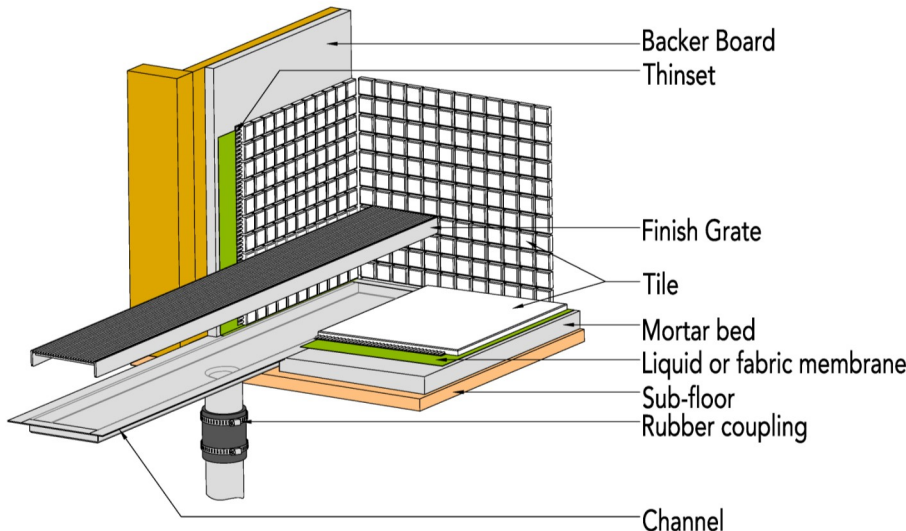
*Flow rate measured at outlet only. Measurement does not account for water in channel or sheeting on shower floor.

Finishes:

- ___ Satin Stainless
- ___ Polished Stainless



Installation (FF) Fixed Flange



Complete Kits:

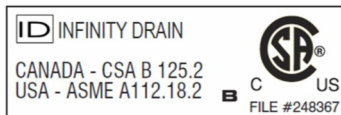
- FFAS 12553 32" Complete Kit
- FFAS 12536 36" Complete Kit
- FFAS 12542 42" Complete Kit
- FFAS 12548 48" Complete Kit
- FFAS 12560 60" Complete Kit

Components:

- SA 12532 32" Stainless Steel Grate
- SA 12536 36" Stainless Steel Grate
- SA 12542 42" Stainless Steel Grate
- SA 12548 48" Stainless Steel Grate
- SA 12560 60" Stainless Steel Grate
- FC 12532 32" Stainless Steel Fixed Channel
- FC 12536 36" Stainless Steel Fixed Channel
- FC 12542 42" Stainless Steel Fixed Channel
- FC 12548 48" Stainless Steel Fixed Channel
- FC 12560 60" Stainless Steel Fixed Channel

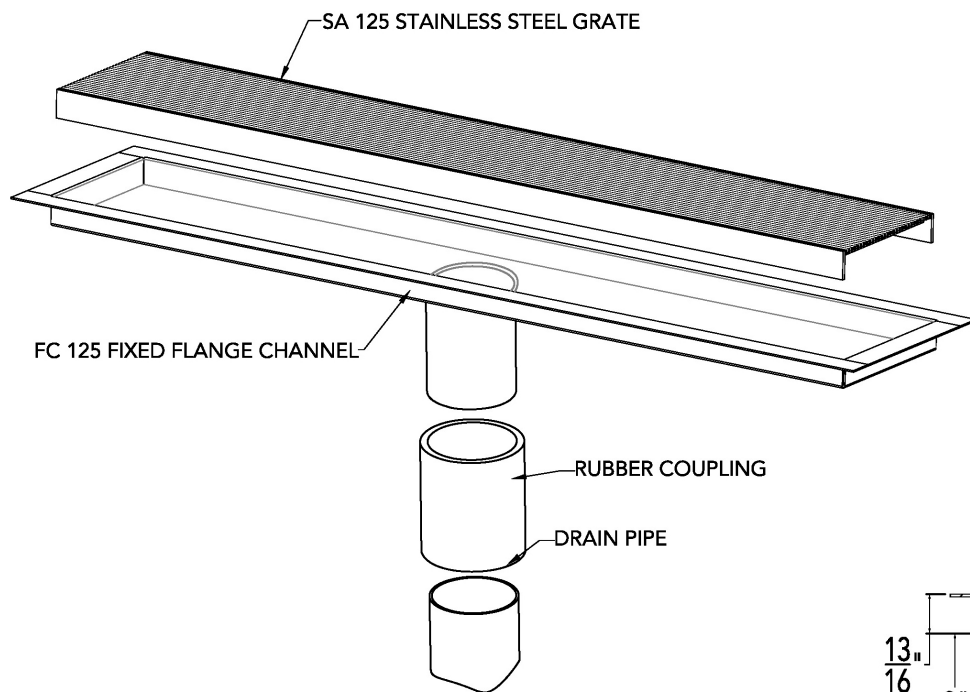
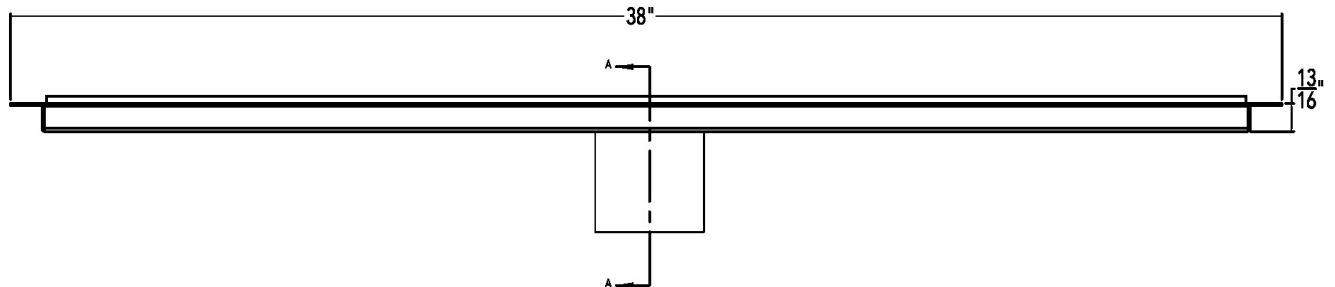
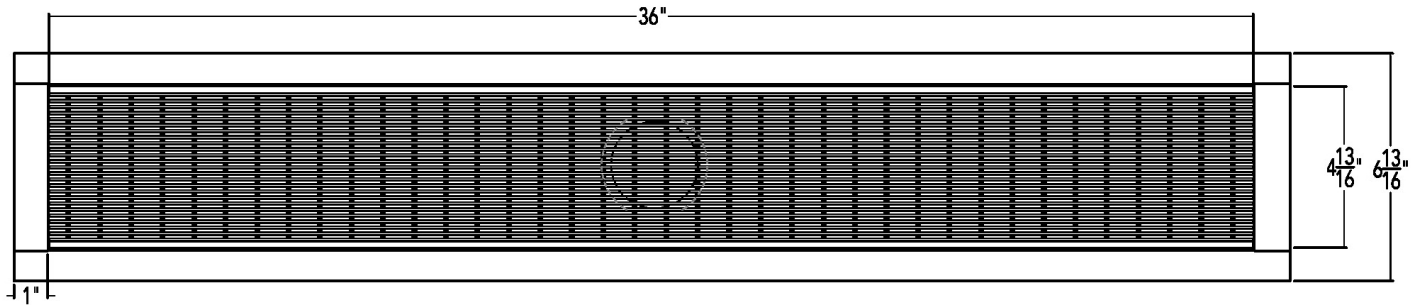
Infinity Drain

18 Secatoag Avenue
 Port Washington, NY 11050
 Phone: 516.767.6786
 Fax: 516.740.3066
 www.InfinityDrain.com

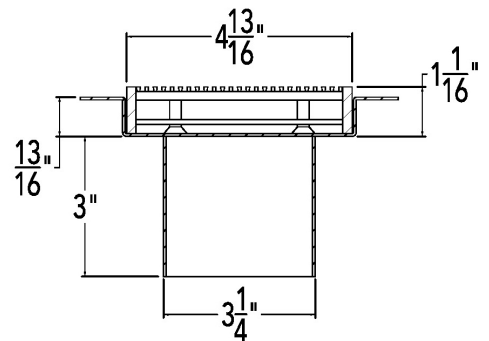


Note: Installer must verify all rough-in dimensions prior to installation and consult local and national codes. Conformity and compliance to local and national codes are the responsibility of the installer.

FFAS 12536 Specifications



DRAIN CAN BE ADJUSTED UPWARD FOR AN ADDITIONAL 1/2" IN HEIGHT



SECTION A-A

FFAS 12536

36" Complete Kit Includes:

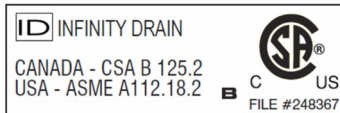
(38 $\frac{1}{8}$ " l x 7 $\frac{1}{8}$ " w x 4 $\frac{1}{16}$ " h)

1 - SA 12536 Grate

1 - FC 12536 Fixed Flange Channel

Infinity Drain

18 Secatoag Avenue
Port Washington, NY 11050
Phone: 516.767.6786
Fax: 516.740.3066
www.InfinityDrain.com



Note: Installer must verify all rough-in dimensions prior to installation and consult local and national codes. Conformity and compliance to local and national codes are the responsibility of the installer.