

# S-DG 38 Series



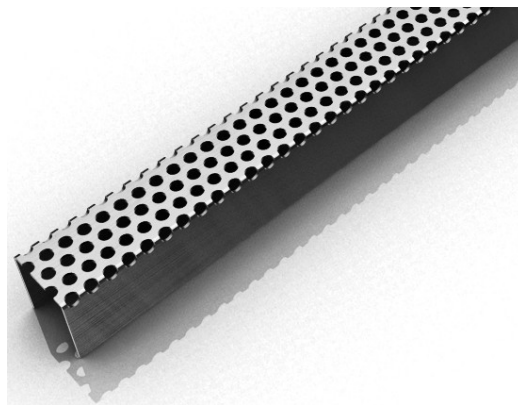
## S-DG 38 | Site Sizeable

- Modify length and locate outlet on-site
- Indoor or outdoor use
- 16 gauge, 304 perforated stainless steel grate
- PVC channel
- Works with 2" clamp down floor drain with 2" throat (strainer size) (not included)
- Uses Hot Mop, Lead Pan, PVC Vinyl Liner, Rubber Liner (Chloraloy™) Copper Pan or Fiberglass waterproofing
- Grate can be removed completely for cleaning
- Flow rate 9 GPM per outlet\*

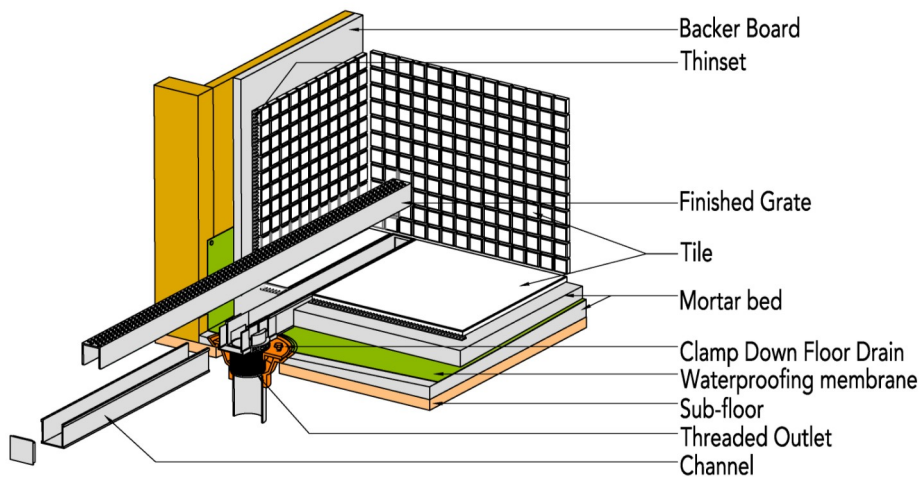
\*Flow rate measured at outlet only. Measurement does not account for water in channel or sheeting on shower floor.

### Finishes:

- \_\_\_ Satin Stainless
- \_\_\_ Polished Stainless
- \_\_\_ Lifetime Oil
- \_\_\_ Rubbed Bronze



## Installation (S) Site Sizable



### Complete Kits:

- S-DG 3848 48" Complete Kit
- S-DG 3860 60" Complete Kit
- S-DG 3896 96" Complete Kit

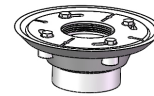
### Longer lengths for indoor or outdoor installations.

### Components:

- D 3848 48" Stainless Steel Grate
- D 3860 60" Stainless Steel Grate
- G 3836 36" PVC Channel
- G 3848 48" PVC Channel
- G 3860 60" PVC Channel
- G 3896 96" PVC Channel
- G 38108 108" PVC Channel
- E 38 PVC Stop End
- S 32 PVC Outlet Section
- S 50 PVC Threaded Outlet

### Add Clamp Down Drain:

- CDA 22 Clamp Down Drain ABS
- CDI 22 Clamp Down Drain Cast Iron
- CDP 22 Clamp Down Drain PVC



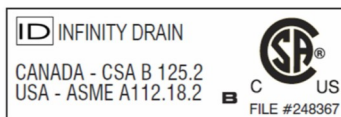
2" clamp down drain not included in kit

### Optional Components:

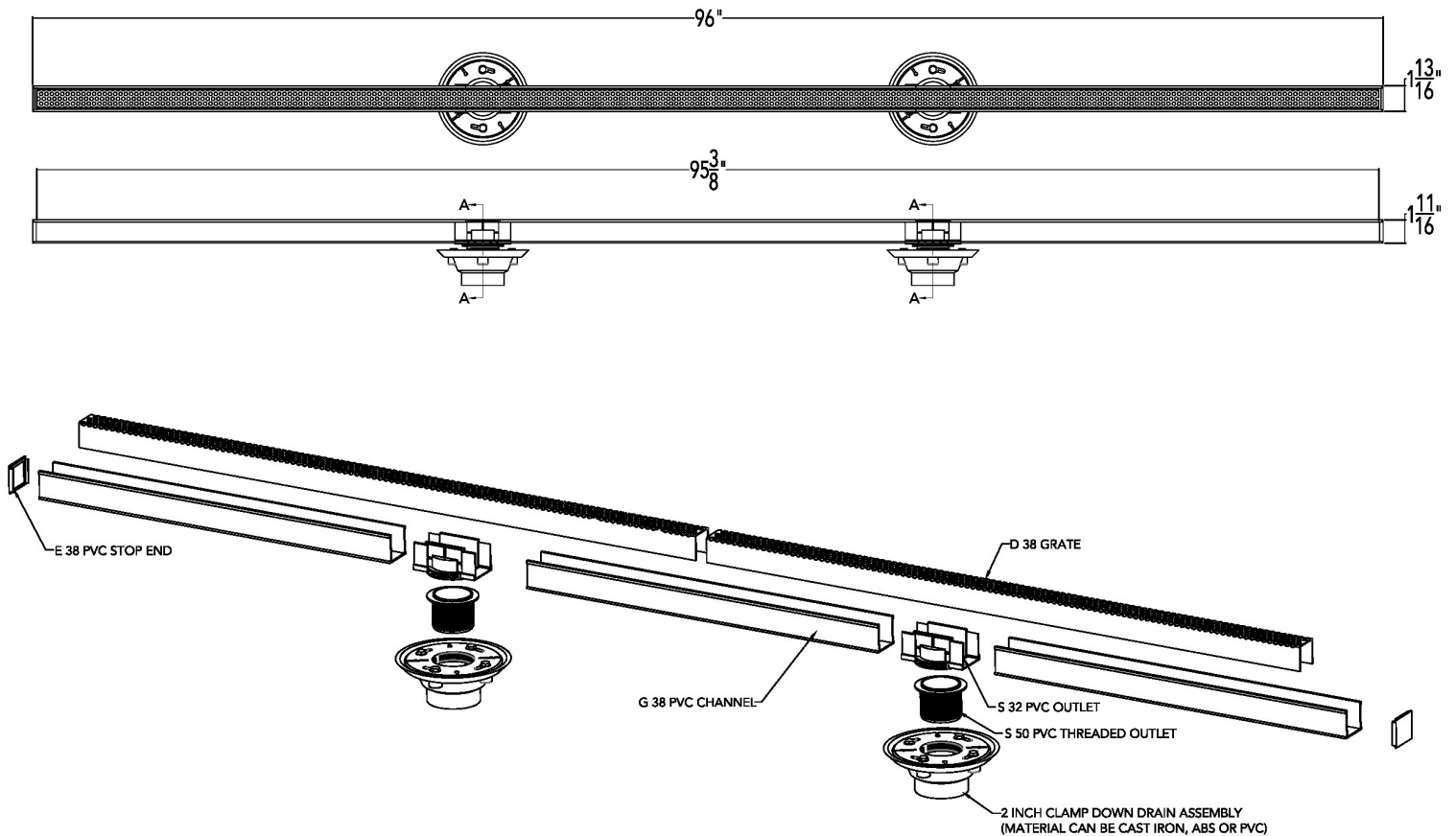
- F 65 PVC Non-Threaded Outlet
- GJC 38 PVC Straight Joiner Strip
- GAM 38 PVC 90° Angle Joiner
- TNRN-P PVC Threaded Nipple, (extends 2 3/8" to the S 50 PVC Threaded Outlet)
- UCP 2 Universal 2" Clamping Plate
- UCP 4 Universal 4" Clamping Plate
- ERB Eccentric Reducer Bushing 4"x2"

**Note:** Installer must verify all rough-in dimensions prior to installation and consult local and national codes. Conformity and compliance to local and national codes are the responsibility of the installer.

**Infinity Drain**  
 18 Secatoag Avenue  
 Port Washington, NY 11050  
 Phone: 516.767.6786  
 Fax: 516.740.3066  
 www.InfinityDrain.com



# S-DG 3896 Specifications

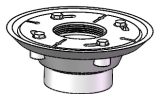


## DG 3896

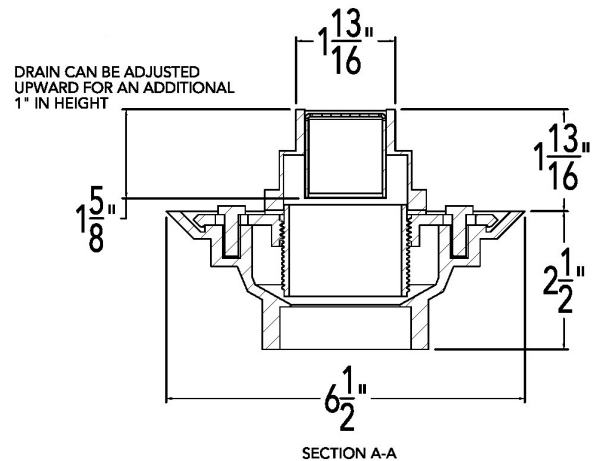
- (96 1/8" l x 1 13/16" w x 1 5/8" h)
- 2 - D 3848 Stainless Steel Grate
- 1 - G 3896 PVC Channel
- 2 - SE 38 End Section
- 2 - S32 PVC Outlet Section
- 2 - S50 Treaded Outlet

### Add Clamp Down Drain:

- CDA 22 Clamp Down Drain ABS
- CDI 22 Clamp Down Drain Cast Iron
- CDP 22 Clamp Down Drain PVC

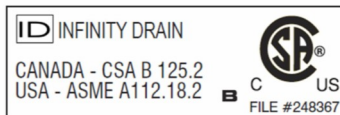


2" clamp down drain not included in kit



## Infinity Drain

18 Secatoag Avenue  
 Port Washington, NY 11050  
 Phone: 516.767.6786  
 Fax: 516.740.3066  
 www.InfinityDrain.com



**Note:** Installer must verify all rough-in dimensions prior to installation and consult local and national codes. Conformity and compliance to local and national codes are the responsibility of the installer.