

S-DG 38 Series



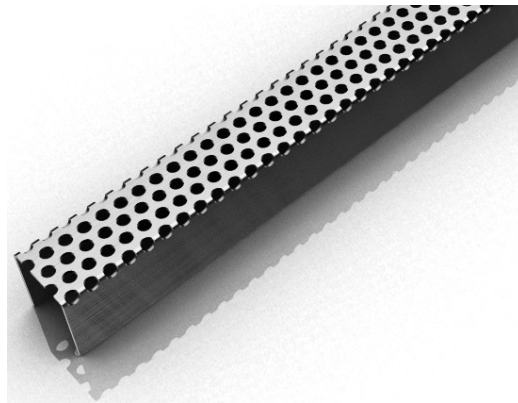
S-DG 38 | Site Sizeable

- Modify length and locate outlet on-site
- Indoor or outdoor use
- 16 gauge, 304 perforated stainless steel grate
- PVC channel
- Works with 2" clamp down floor drain with 2" throat (strainer size) (not included)
- Uses Hot Mop, Lead Pan, PVC Vinyl Liner, Rubber Liner (Chloraloy™) Copper Pan or Fiberglass waterproofing
- Grate can be removed completely for cleaning
- Flow rate 9 GPM per outlet*

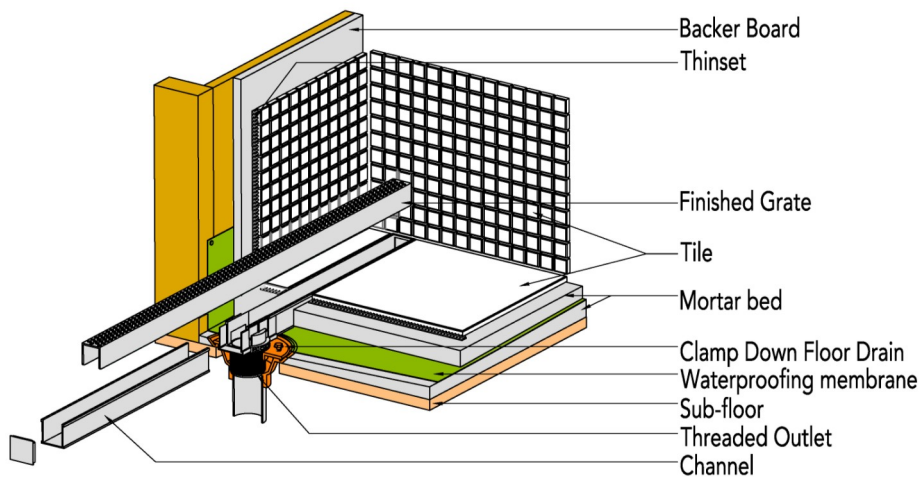
*Flow rate measured at outlet only. Measurement does not account for water in channel or sheeting on shower floor.

Finishes:

- ___ Satin Stainless
- ___ Polished Stainless
- ___ Lifetime Oil
- ___ Rubbed Bronze



Installation (S) Site Sizable



Complete Kits:

- S-DG 3848 48" Complete Kit
- S-DG 3860 60" Complete Kit
- S-DG 3896 96" Complete Kit

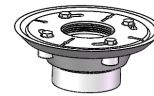
Longer lengths for indoor or outdoor installations.

Components:

- D 3848 48" Stainless Steel Grate
- D 3860 60" Stainless Steel Grate
- G 3836 36" PVC Channel
- G 3848 48" PVC Channel
- G 3860 60" PVC Channel
- G 3896 96" PVC Channel
- G 38108 108" PVC Channel
- E 38 PVC Stop End
- S 32 PVC Outlet Section
- S 50 PVC Threaded Outlet

Add Clamp Down Drain:

- CDA 22 Clamp Down Drain ABS
- CDI 22 Clamp Down Drain Cast Iron
- CDP 22 Clamp Down Drain PVC



2" clamp down drain not included in kit

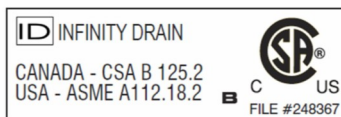
Optional Components:

- F 65 PVC Non-Threaded Outlet
- GJC 38 PVC Straight Joiner Strip
- GAM 38 PVC 90° Angle Joiner
- TNRN-P PVC Threaded Nipple, (extends 2 3/8" to the S 50 PVC Threaded Outlet)
- UCP 2 Universal 2" Clamping Plate
- UCP 4 Universal 4" Clamping Plate
- ERB Eccentric Reducer Bushing 4"x2"

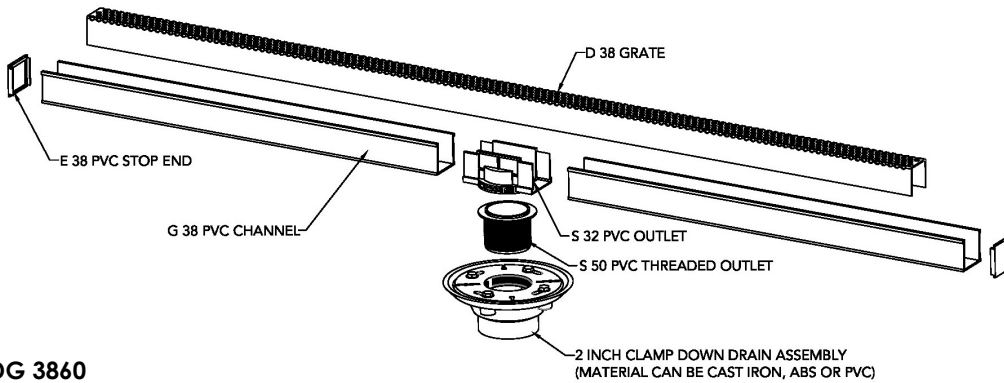
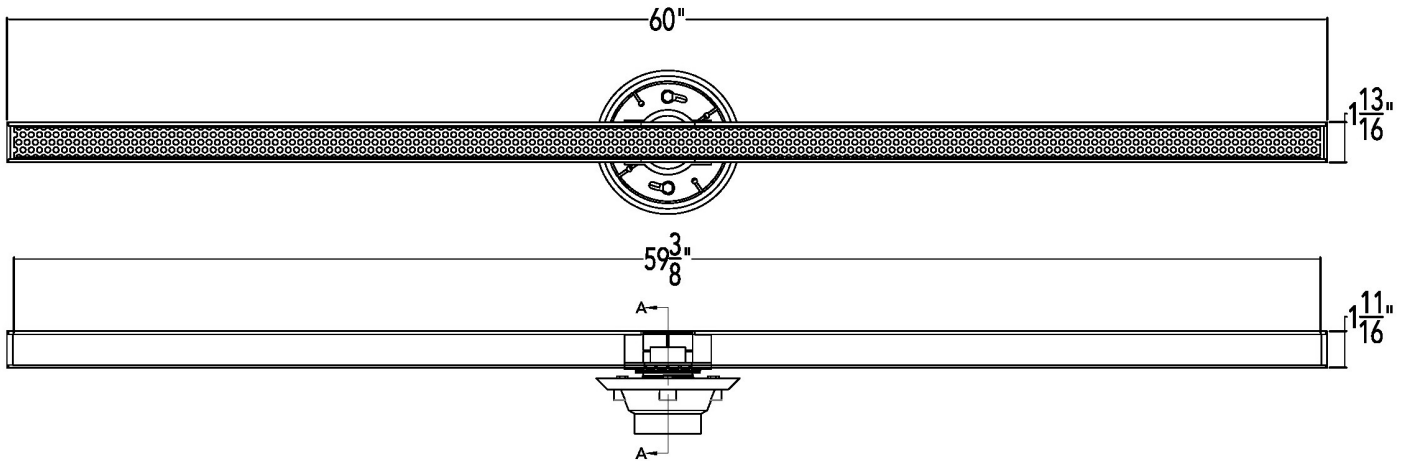
Note: Installer must verify all rough-in dimensions prior to installation and consult local and national codes. Conformity and compliance to local and national codes are the responsibility of the installer.

Infinity Drain

18 Secatoag Avenue
 Port Washington, NY 11050
 Phone: 516.767.6786
 Fax: 516.740.3066
 www.InfinityDrain.com



S-DG 3860 Specifications



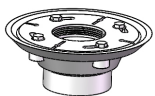
DG 3860

60" Complete Kit Includes:

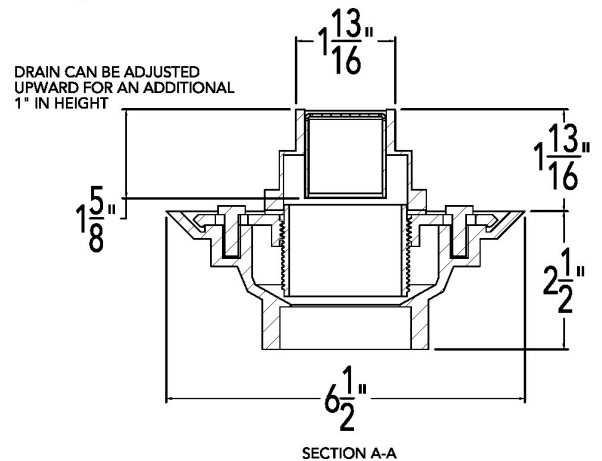
- (60 1/8" l x 1 13/16" w x 1 5/8" h)
- 1 - D 3860 Stainless Steel Grate
- 1 - G 3860 PVC Channel
- 2 - SE 38 End Section
- 1 - S32 PVC Outlet Section
- 1 - S50 Treaded Outlet

Add Clamp Down Drain:

- CDA 22 Clamp Down Drain ABS
- CDI 22 Clamp Down Drain Cast Iron
- CDP 22 Clamp Down Drain PVC



2" clamp down drain not included in kit



Note: Installer must verify all rough-in dimensions prior to installation and consult local and national codes. Conformity and compliance to local and national codes are the responsibility of the installer.

Infinity Drain
 18 Secatoag Avenue
 Port Washington, NY 11050
 Phone: 516.767.6786
 Fax: 516.740.3066
 www.InfinityDrain.com

