

S-AG 65 Series



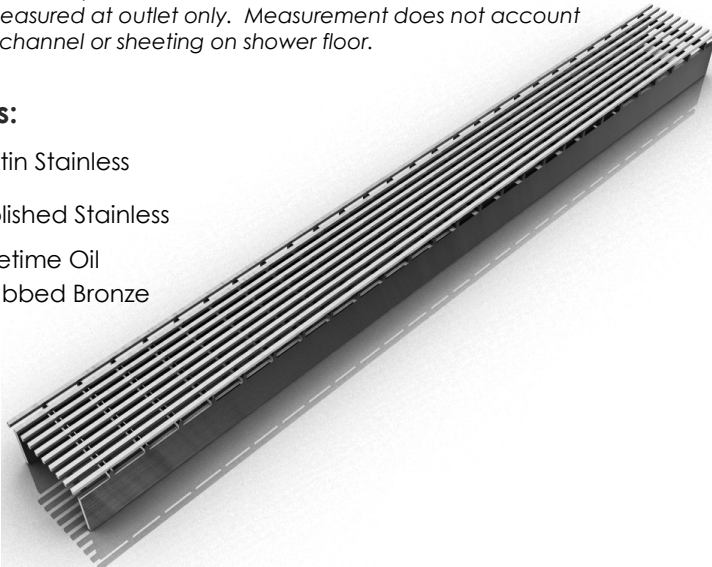
S-AG 65 | Site Sizeable

- Modify length and locate outlet on-site
- Indoor or outdoor use
- 316 Wedge Wire stainless steel grate
- PVC channel
- Works with 2" clamp down floor drain with 2" throat (strainer size) (not included)
- Uses Hot Mop, Lead Pan, PVC Vinyl Liner, Rubber Liner (Chloraloy™) Copper Pan or Fiberglass waterproofing
- Grate can be removed completely for cleaning
- Flow rate 16 GPM per outlet*

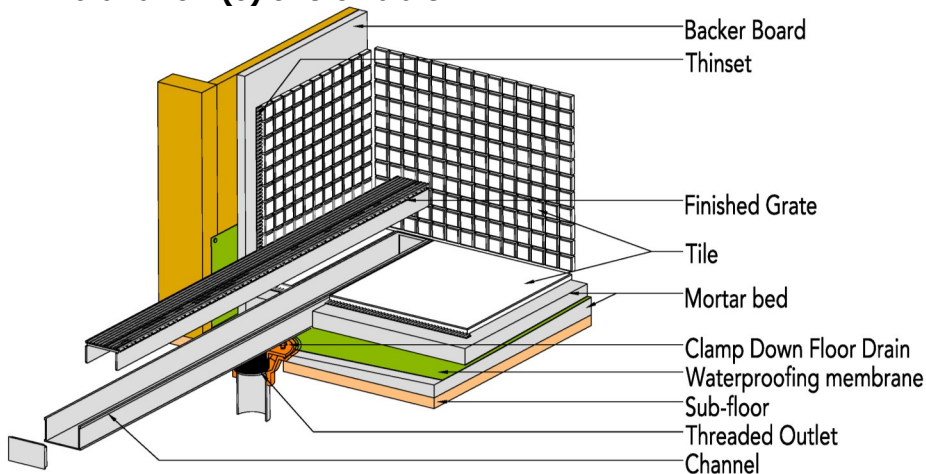
*Flow rate measured at outlet only. Measurement does not account for water in channel or sheeting on shower floor.

Finishes:

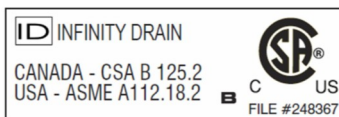
- ___ Satin Stainless
- ___ Polished Stainless
- ___ Lifetime Oil
- ___ Rubbed Bronze



Installation (S) Site Sizable



Infinity Drain
 18 Secatoag Avenue
 Port Washington, NY 11050
 Phone: 516.767.6786
 Fax: 516.740.3066
 www.InfinityDrain.com



Complete Kits:

S-AG 6536	36" Complete Kit
S-AG 6548	48" Complete Kit
S-AG 6560	60" Complete Kit
S-AG 6596	96" Complete Kit

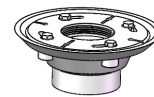
Longer lengths for indoor or outdoor installations.

Components:

A 6536	36" Stainless Steel Grate
A 6548	48" Stainless Steel Grate
A 6560	60" Stainless Steel Grate
G 6536	36" PVC Channel
G 6548	48" PVC Channel
G 6560	60" PVC Channel
G 6596	96" PVC Channel
G 65108	108" PVC Channel
E 65	PVC Stop End
S 50	PVC Threaded Outlet

Add Clamp Down Drain:

CDA 22	Clamp Down Drain ABS
CDI 22	Clamp Down Drain Cast Iron
CDP 22	Clamp Down Drain PVC



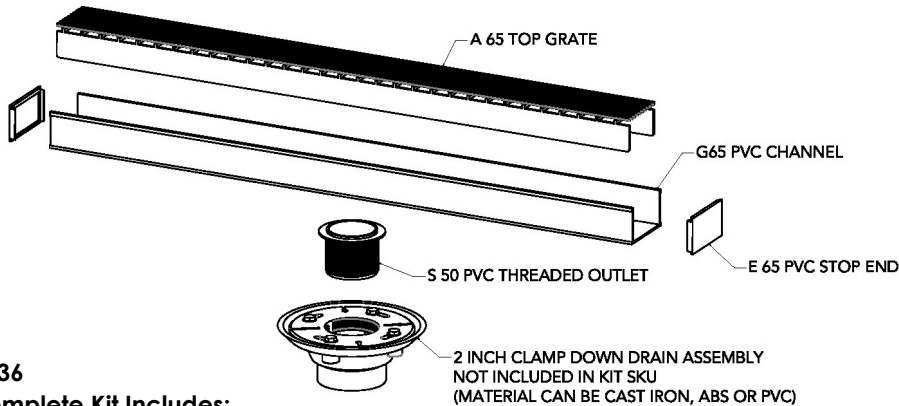
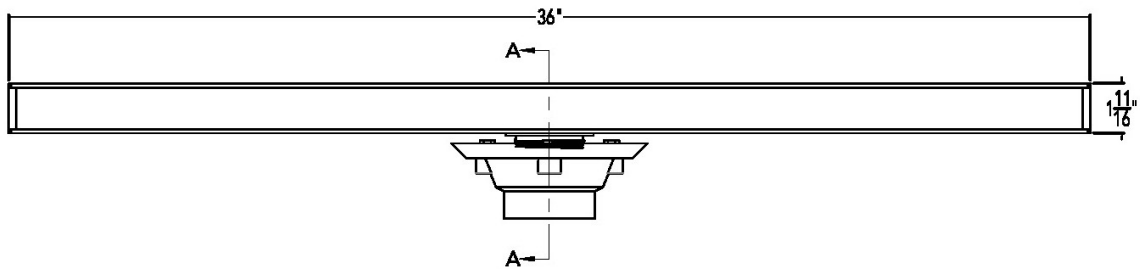
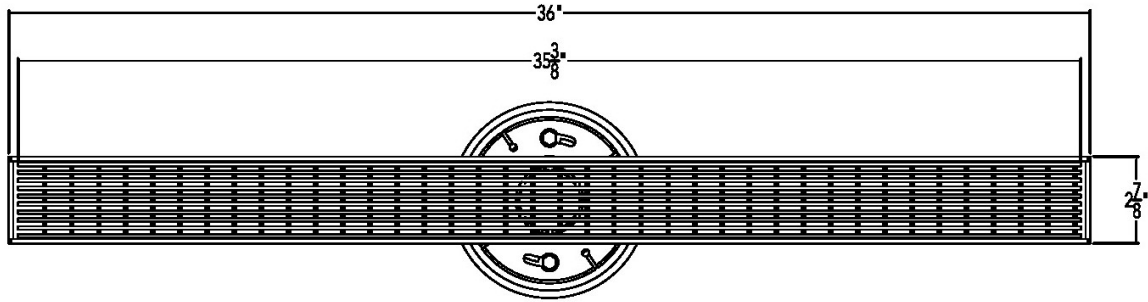
2" clamp down drain not included in kit

Optional Components:

F 65	PVC Non-Threaded Outlet
GJC 65	PVC Straight Joiner Strip
GAM 65	PVC 90° Angle Joiner
TNRN-P	PVC Threaded Nipple, (extends 2 3/8" to the S 50 PVC Threaded Outlet)
UCP 2	Universal 2" Clamping Plate
UCP 4	Universal 4" Clamping Plate
ERB	Eccentric Reducer Bushing 4"x2"

Note: Installer must verify all rough-in dimensions prior to installation and consult local and national codes. Conformity and compliance to local and national codes are the responsibility of the installer.

S-AG 6536 Specifications



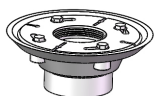
AG 6536

36" Complete Kit Includes:

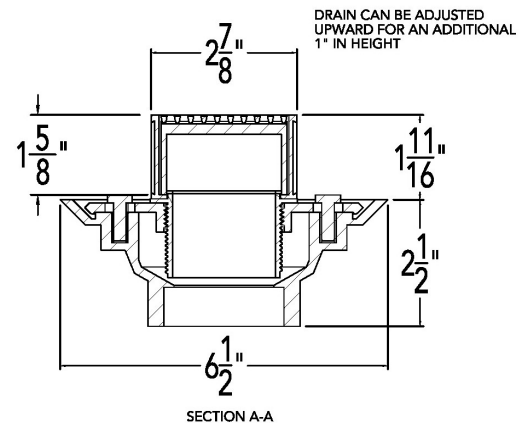
- (36 1/8" l x 2 7/8" w x 1 5/8" h)
- 1 - A 6536 Stainless Steel Grate
- 1 - G 6536 PVC Channel
- 2 - E 65 End Section
- 1 - S50 Treaded Outlet

Add Clamp Down Drain:

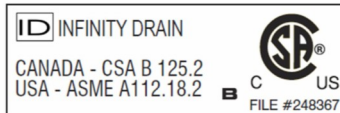
- CDA 22 Clamp Down Drain ABS
- CDI 22 Clamp Down Drain Cast Iron
- CDP 22 Clamp Down Drain PVC



2" clamp down drain not included in kit



Infinity Drain
 18 Secatoag Avenue
 Port Washington, NY 11050
 Phone: 516.767.6786
 Fax: 516.740.3066
 www.InfinityDrain.com



Note: Installer must verify all rough-in dimensions prior to installation and consult local and national codes. Conformity and compliance to local and national codes are the responsibility of the installer.