

# S-AG 38 Series

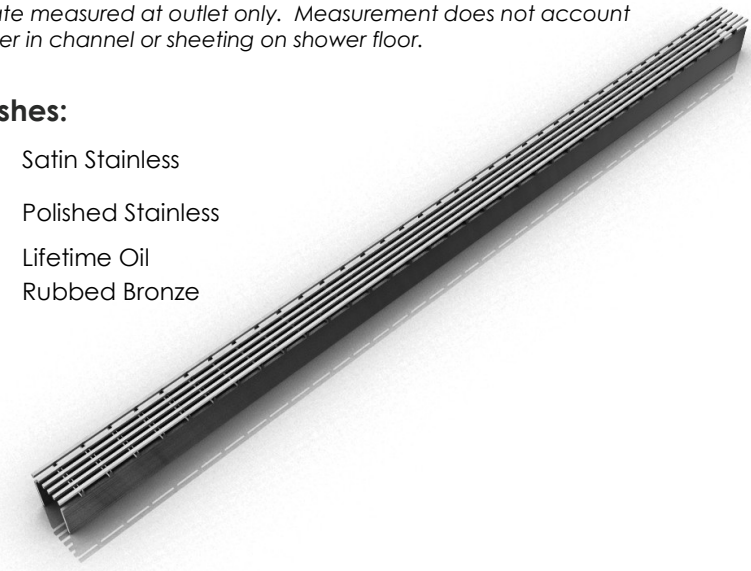
## S-AG 38 | Site Sizeable

- Modify length and locate outlet on-site
- Indoor or outdoor use
- 316 Wedge Wire stainless steel grate
- PVC channel
- Works with 2" clamp down floor drain with 2" throat (strainer size) (not included)
- Uses Hot Mop, Lead Pan, PVC Vinyl Liner, Rubber Liner (Chloraloy™) Copper Pan or Fiberglass waterproofing
- Grate can be removed completely for cleaning
- Flow rate 9 GPM per outlet\*

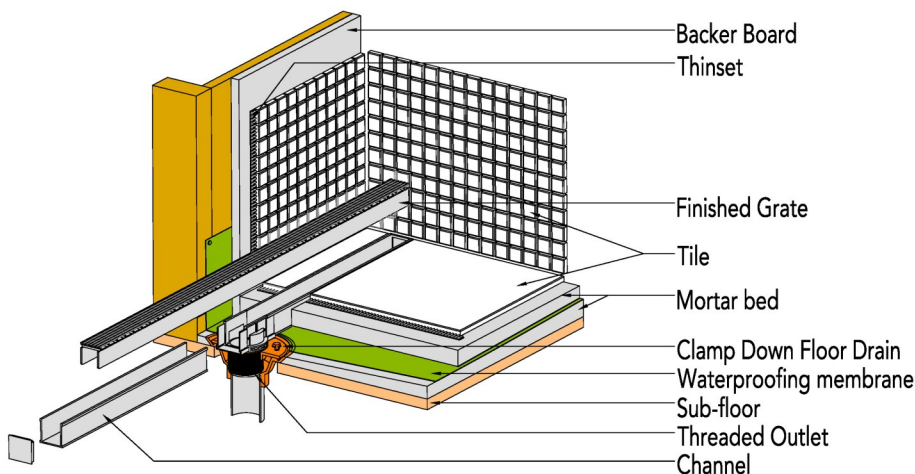
\*Flow rate measured at outlet only. Measurement does not account for water in channel or sheeting on shower floor.

### Finishes:

- \_\_\_ Satin Stainless
- \_\_\_ Polished Stainless
- \_\_\_ Lifetime Oil
- \_\_\_ Rubbed Bronze



## Installation (S) Site Sizeable



### Complete Kits:

S-AG 3836	36" Complete Kit
S-AG 3848	48" Complete Kit
S-AG 3860	60" Complete Kit
S-AG 3896	96" Complete Kit

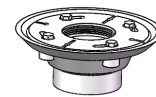
### Longer lengths for indoor or outdoor installations.

### Components:

A 3836	36" Stainless Steel Grate
A 3848	48" Stainless Steel Grate
A 3860	60" Stainless Steel Grate
G 3836	36" PVC Channel
G 3848	48" PVC Channel
G 3860	60" PVC Channel
G 3896	96" PVC Channel
G 38108	108" PVC Channel
E 38	PVC Stop End
S 32	PVC Outlet Section
S 50	PVC Threaded Outlet

### Add Clamp Down Drain:

CDA 22	Clamp Down Drain ABS
CDI 22	Clamp Down Drain Cast Iron
CDP 22	Clamp Down Drain PVC

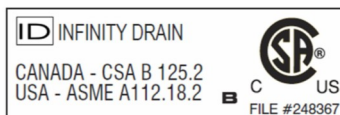


2" clamp down drain not included in kit

### Optional Components:

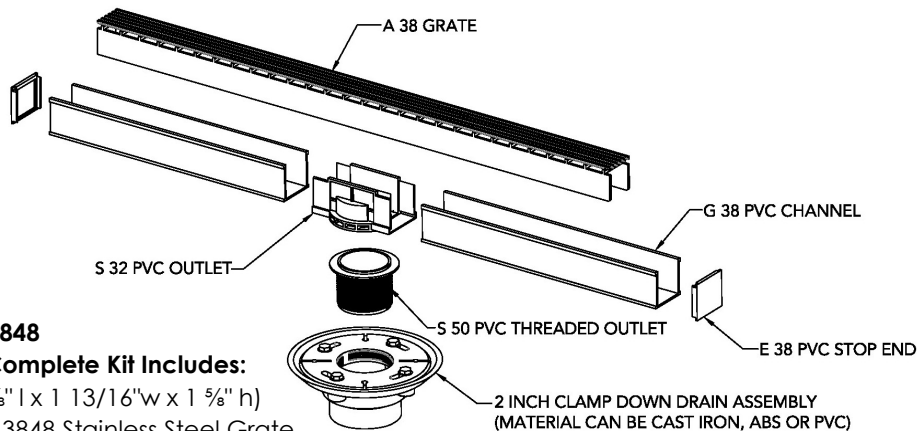
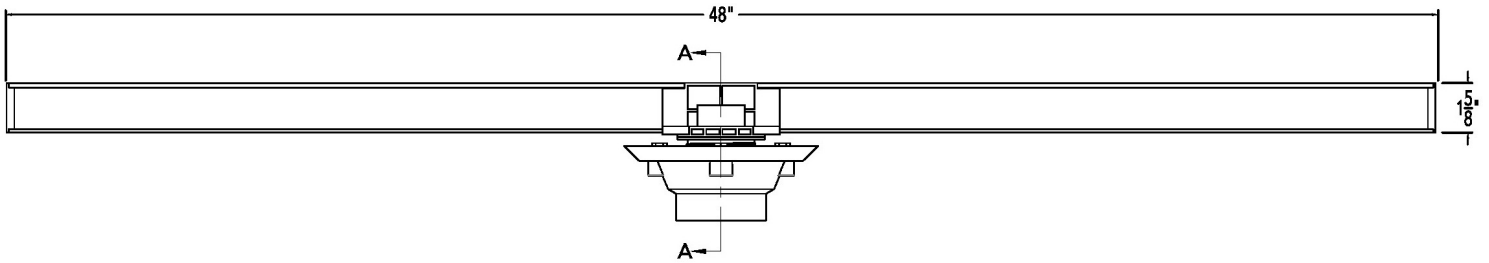
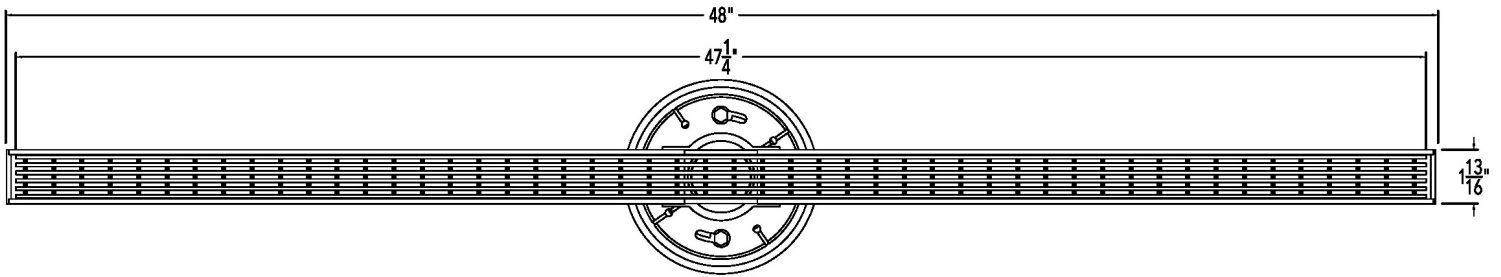
F 65	PVC Non-Threaded Outlet
GJC 38	PVC Straight Joiner Strip
GAM 38	PVC 90° Angle Joiner
TNRN-P	PVC Threaded Nipple, (extends 2 3/8" to the S 50 PVC Threaded Outlet)
UCP 2	Universal 2" Clamping Plate
UCP 4	Universal 4" Clamping Plate
ERB	Eccentric Reducer Bushing 4"x2"

**Infinity Drain**  
 18 Secatoag Avenue  
 Port Washington, NY 11050  
 Phone: 516.767.6786  
 Fax: 516.740.3066  
 www.InfinityDrain.com



**Note:** Installer must verify all rough-in dimensions prior to installation and consult local and national codes. Conformity and compliance to local and national codes are the responsibility of the installer.

# S-AG 3848 Specifications



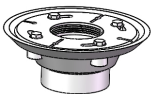
## AG 3848

### 48" Complete Kit Includes:

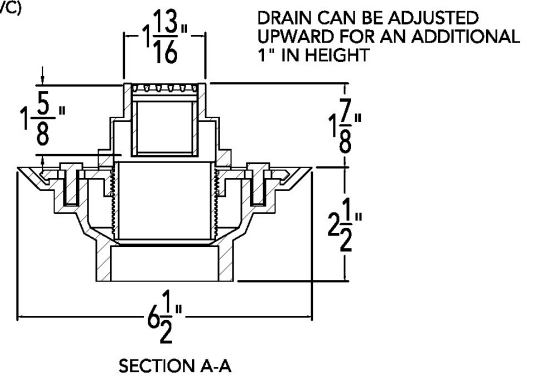
- (48 1/8" l x 1 13/16" w x 1 5/8" h)
- 1 - A 3848 Stainless Steel Grate
  - 1 - G 3848 PVC Channel
  - 2 - SE 38 End Section
  - 1 - S32 PVC Outlet Section
  - 1 - S50 Treaded Outlet

### Add Clamp Down Drain:

- CDA 22 Clamp Down Drain ABS
- CDI 22 Clamp Down Drain Cast Iron
- CDP 22 Clamp Down Drain PVC



2" clamp down drain not included in kit



**Note:** Installer must verify all rough-in dimensions prior to installation and consult local and national codes. Conformity and compliance to local and national codes are the responsibility of the installer.

**Infinity Drain**  
18 Secatoag Avenue  
Port Washington, NY 11050  
Phone: 516.767.6786  
Fax: 516.740.3066  
www.InfinityDrain.com

