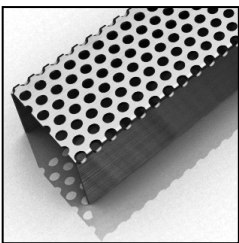


ID Infinity Drain



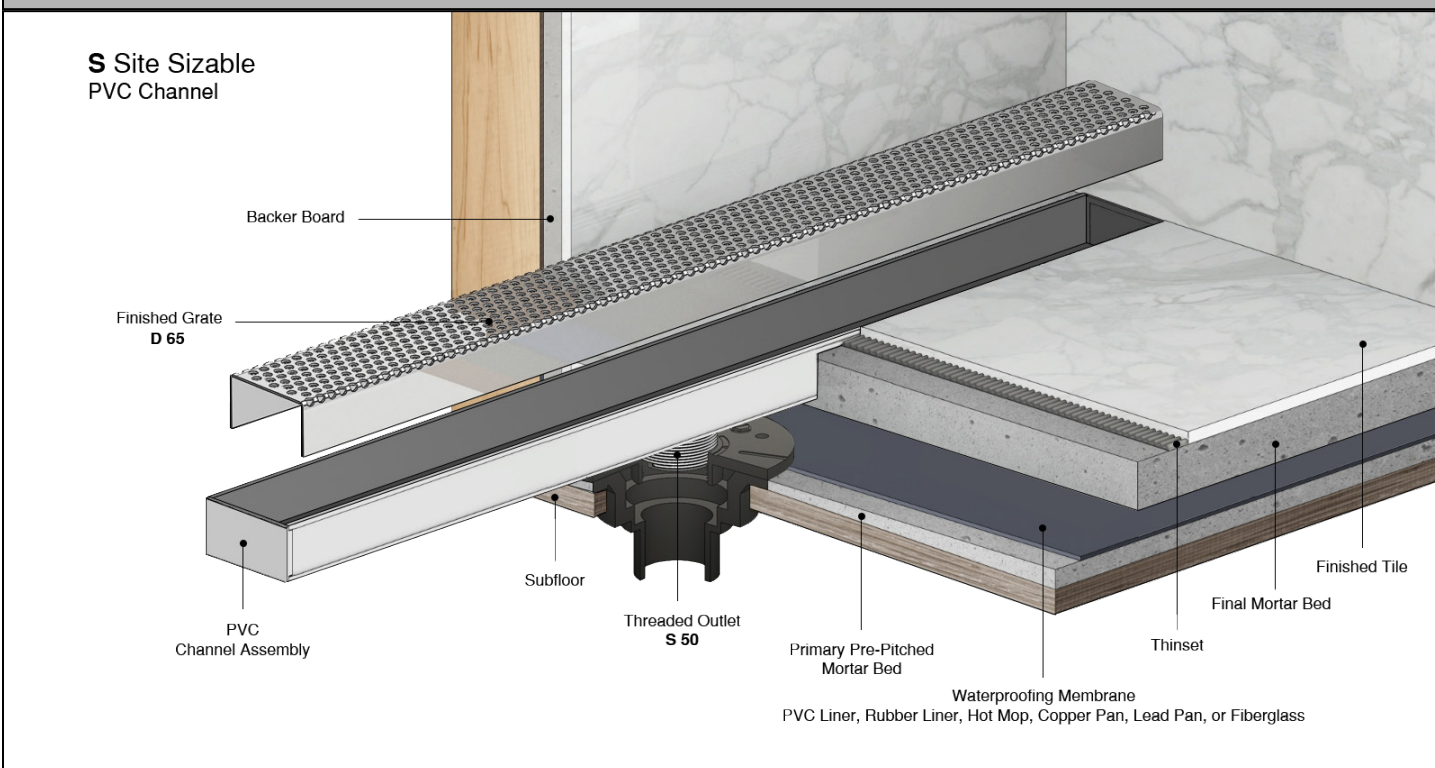
S-DG 65 Series SITE SIZABLE PVC

- S-DG 6548 - 48" Complete Kit
- S-DG 6560 - 60" Complete Kit
- S-DG 6596 - 96" Complete Kit

Features

- Modify length and outlet location on site
- Indoor or outdoor use
- PVC Channel
- 304L stainless steel perforated grate
- Works with 2" clamp down floor with 2" throat/strainer size *(not included)*
- Compatible with: PVC Liner, Rubber Liner (Chloraloy®), Hot Mop, Lead Pan, Copper Pan, or Fiberglass
- Flow rate - 16 gpm per outlet
 - Flow rate measured at outlet only. Measurement does not account for water in channel or sheeting on shower floor.
 - Additional outlets can be added and combined into a larger waste line to increase flowrates

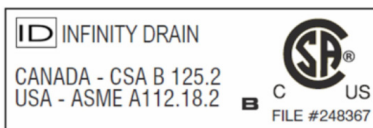
Installation



Care & Maintenance

S-DG 65 stainless steel linear drain top grates are made of 304L stainless steel. This material is non-porous, hygienic, rust-free and extremely durable. Bar Keepers Friend® and Soft Scrub® are commonly available products that can be used to protect and clean your Satin Stainless drain cover. For stains that have been left for excessive time, stronger cleaning agents such as Compound 302® may be needed. For Polished Stainless and Oil Rubbed Bronze we recommend a mild soap and a soft cloth for cleaning. DO NOT use any abrasive cleaners, scrub pads or all household cleaning agents, such as bleach, sit on your drain cover for a long period of time. Stainless steel does not rust. External factors, such as contamination from other highly ferrous metals, built up road salt, sea salt, or chlorine may have caused "surface" rust which can be removed using Barkeepers Friend®, Soft Scrub® with Bleach, or Compound 302®. Always follow the directions on the bottle. Follow proper maintenance procedures to prevent excessive surface rust. In areas of frequent exposure to salt, chlorine, and other chemical compounds, maintenance of the stainless grates should be preformed at least 2-3 times per year.

Infinity Drain
18 Secatog Avenue
Port Washington, NY 11050
Phone: 516.767.6786
Fax: 516.740.3066
www.Infinity Drain.com

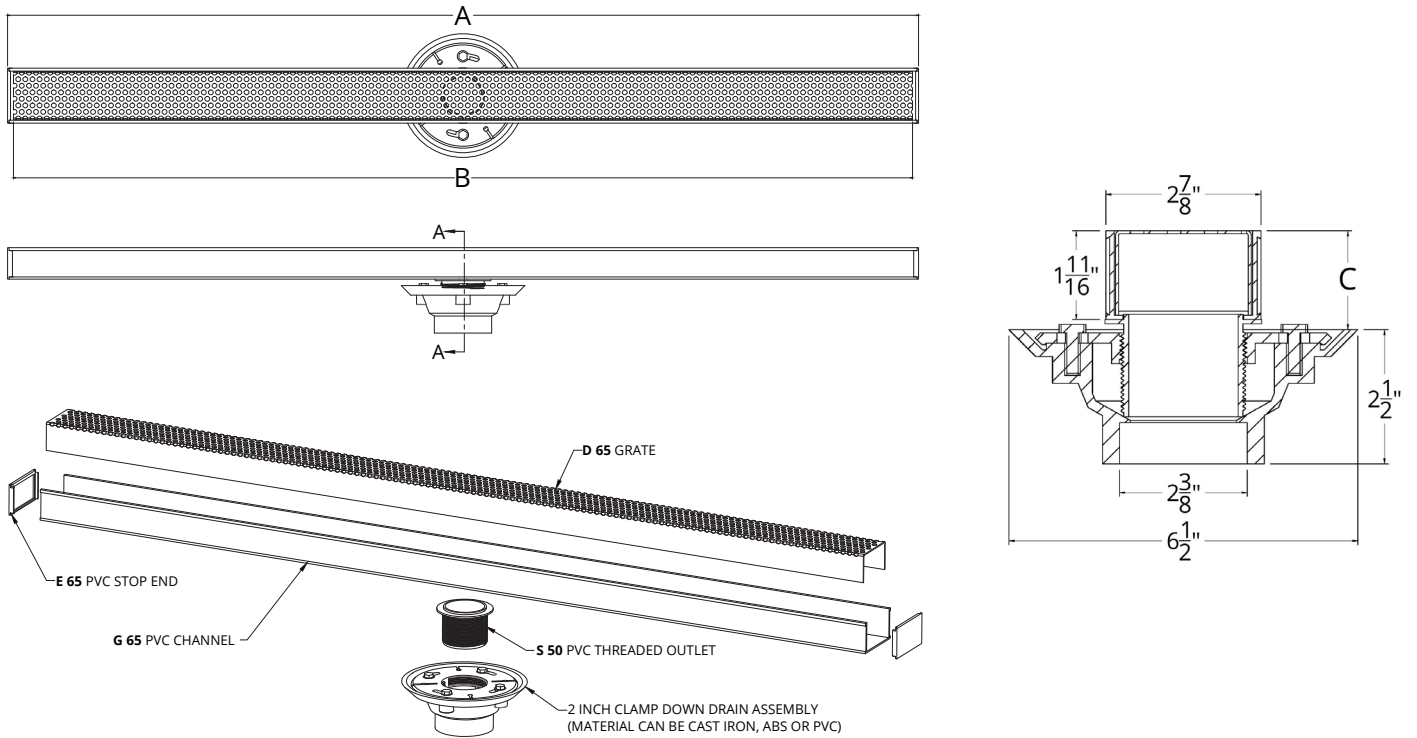


NOTE: Installer must verify all rough-in dimensions prior to installation and consult local and national codes. Conformity and compliance to local and national codes are the responsibility of the installer.

ID Infinity Drain

S-DG 6548

S-DG 6560

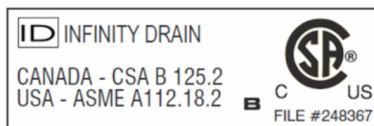


Model Number	Complete Kit Contents	A (Maximum Overall Length)	B (Maximum Grate Length)	C (Minimum Height Above Waterproofing) * All heights can be adjusted upwards an additional 1-1/4"
S-DG 6548	1 - D 6548 Stainless Steel Grate 1 - G 6548 PVC Channel 2 - E 65 PVC Stop End 1 - S 50 PVC Threaded Outlet 1 - HS 2 2" Hair Strainer 2 - CT 48 Channel Trim 1 - DKEY Lift Out Key	48"	47 7/8"	With CDI 22: 2-3/8" With CDA 22: 1-7/8" With CDP 22: 1-7/8"
S-DG 6560	1 - D 6560 Stainless Steel Grate 1 - G 6560 PVC Channel 2 - E 65 PVC Stop End 1 - S 50 PVC Threaded Outlet 1 - HS 2 2" Hair Strainer 2 - CT 60 Channel Trim 1 - DKEY Lift Out Key	60"	59 7/8"	With CDI 22: 2-3/8" With CDA 22: 1-7/8" With CDP 22: 1-7/8"

Finishes

- Satin Stainless
 Polished Stainless
 Lifetime Oil Rubbed Bronze

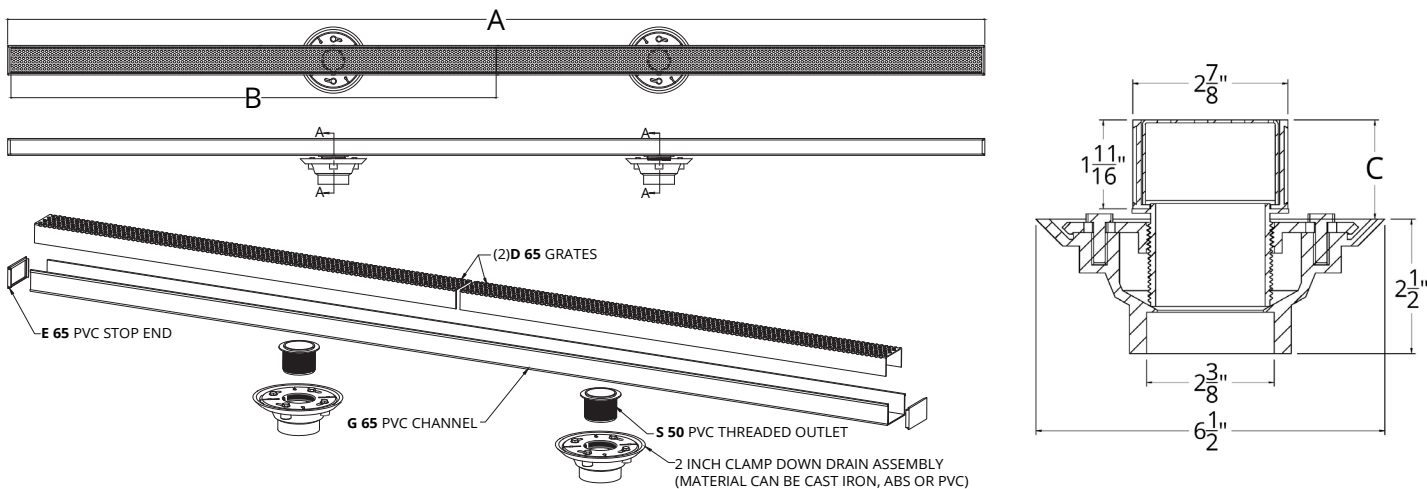
Infinity Drain
 18 Secatoag Avenue
 Port Washington, NY 11050
 Phone: 516.767.6786
 Fax: 516.740.3066
 www.Infinity Drain.com



NOTE: Installer must verify all rough-in dimensions prior to installation and consult local and national codes. Conformity and compliance to local and national codes are the responsibility of the installer.

ID Infinity Drain

S-DG 6596 ONLY



Model Number	Complete Kit Contents	A (Maximum Overall Length)	B (Maximum Grate Length)	C (Minimum Height Above Waterproofing) * All heights can be adjusted upwards an additional 1-1/4"
S-DG 6596	2 - D 6548 Stainless Steel Grate 1 - G 6596 PVC Channel 2 - E 65 PVC Stop End 2 - S 50 PVC Threaded Outlet 2 - HS 2 2" Hair Strainer 2 - CT 96 Channel Trim 1 - DKEY Lift Out Key	96"	47 7/8" (x 2)	With CDI 22: 2-3/8" With CDA 22: 1-7/8" With CDP 22: 1-7/8"

Finishes

- Satin Stainless
 Polished Stainless
 Lifetime Oil Rubbed Bronze

Optional Components

F 65	PVC Non-Threaded Outlet
GJC 65	PVC Straight Joiner Strip
GAM 65	PVC 90° Angle Joiner
TNRN-P	PVC Threaded Extension Nipple
UCP 2	Universal 2" Clamping Plate
UCP 4	Universal 4" Clamping Plate
UCP 42	Universal Reducing Plate (Adapts 4" or 3" existing throat size to 2")

Add Clamp Down Drain

CDA 22	Clamp Down Drain ABS
CDI 22	Clamp Down Drain Cast Iron
CDP 22	Clamp Down Drain PVC

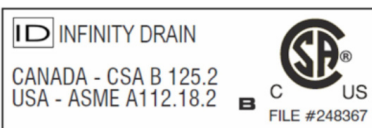


2" clamp down drain not included in kit

Available components for longer lengths

D 6548	48" Stainless Steel Grate
D 6560	60" Stainless Steel Grate
G 6536	36" PVC Channel
G 6548	48" PVC Channel
G 6560	60" PVC Channel
G 6596	96" PVC Channel
G 65108	108" PVC Channel
E 65	PVC Stop End
S 32	PVC Outlet Section
S 50	PVC Threaded Nipple
CT 36	36" Channel Trim
CT 48	48" Channel Trim
CT 60	60" Channel Trim
CT 96	96" Channel Trim

Infinity Drain
 18 Secatoag Avenue
 Port Washington, NY 11050
 Phone: 516.767.6786
 Fax: 516.740.3066
 www.Infinity Drain.com



NOTE: Installer must verify all rough-in dimensions prior to installation and consult local and national codes. Conformity and compliance to local and national codes are the responsibility of the installer.