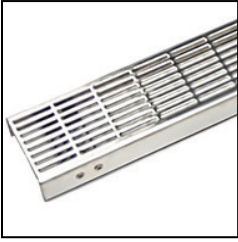


ID Infinity Drain



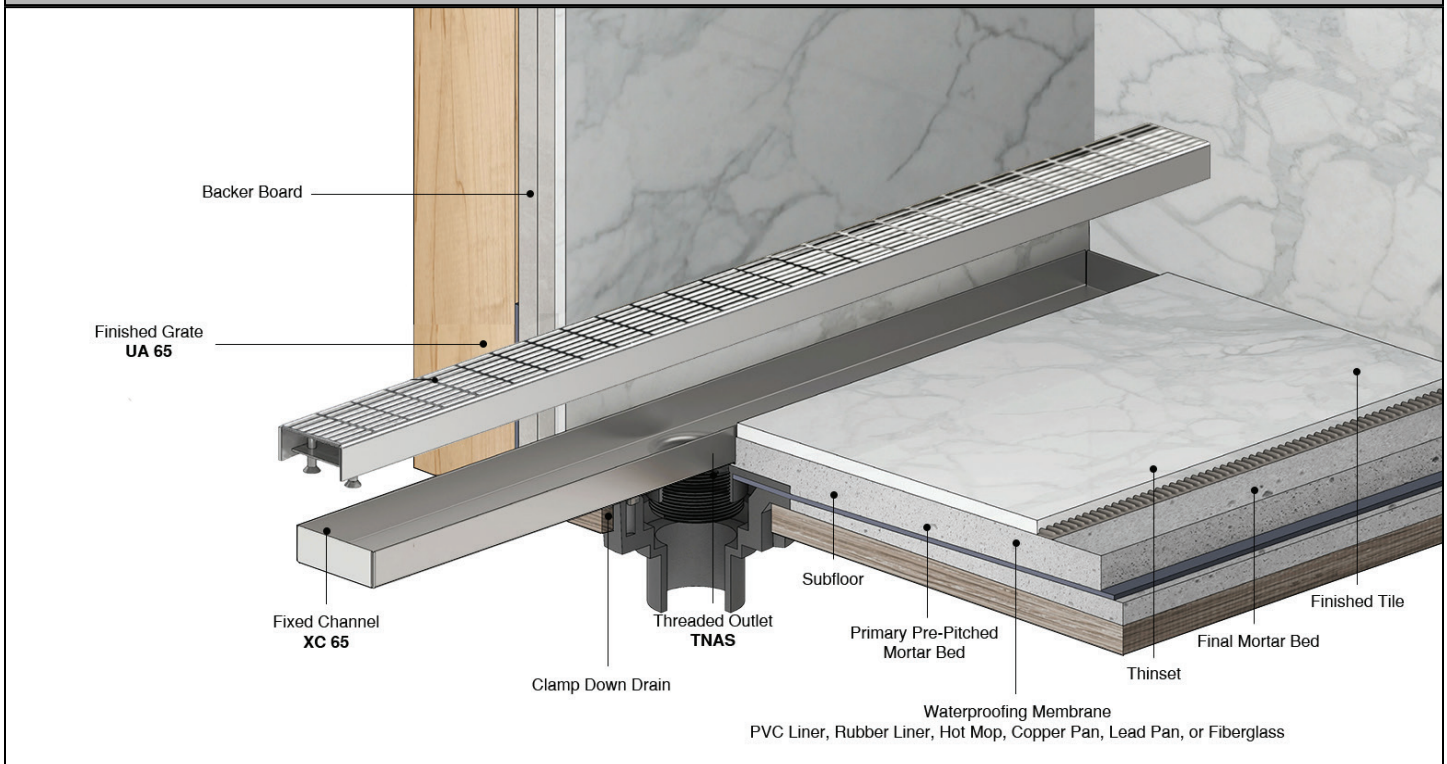
FXIG 65 Series Fixed Length

- FXIG 6532 - 32" Complete Kit
- FXIG 6536 - 36" Complete Kit
- FXIG 6542 - 42" Complete Kit
- FXIG 6548 - 48" Complete Kit
- FXIG 6560 - 60" Complete Kit

Features

- Pre-pitched channel with fixed lengths and fixed center outlet
- Indoor or outdoor use
- 16 gauge, 304S stainless steel channel
- 16 gauge, 304L stainless steel Slotted grate
- Works with 2" clamp down floor with 2" throat/strainer size *(NOT included)*
- Compatible with: PVC Liner, Rubber Liner (Chloraloy®), Hot Mop, Lead Pan, Copper Pan, or Fiberglass
- Grate can be removed completely for cleaning
- Flow rate - 9 gpm per outlet
 - Flow rate measured at outlet only. Measurement does not account for water in channel or sheeting on shower floor.

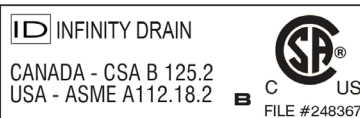
Installation



Care & Maintenance

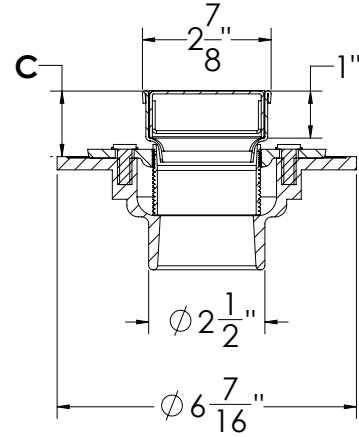
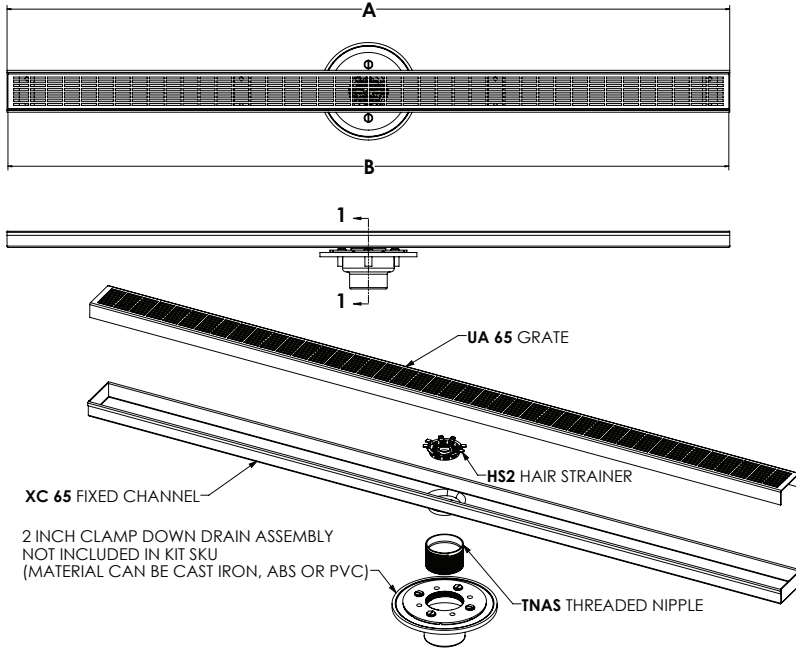
FXIG 65 stainless steel linear drain top grates are made of 304L stainless steel. This material is non-porous, hygienic, rust-free and extremely durable. Bar Keepers Friend® and Soft Scrub® are commonly available products that can be used to protect and clean your Satin Stainless drain cover. For stains that have been left for an excessive amount of time, stronger cleaning agents such as Steel Brite® may be needed. For Polished Stainless and other finishes we recommend a mild soap and a soft cloth for cleaning. DO NOT use any abrasive cleaners, scrub pads or all household cleaning agents, such as bleach, to sit on the drain cover for a long period of time. Stainless steel does not rust. External factors, such as contamination from other highly ferrous metals, built up road salt, sea salt, or chlorine may have caused "surface" rust which can be removed using Barkeepers Friend®, Soft Scrub® with Bleach, or Compound 302®. Always follow the directions on the bottle. Follow proper maintenance procedures to prevent excessive surface rust. In areas of frequent exposure to salt, chlorine, and other chemical compounds, maintenance of the stainless grates should be performed at least 2-3 times per year.

Infinity Drain
145 Dixon Avenue
Amityville, NY 11701
Phone: 516.767.6786
Fax: 516.740.3066
www.Infinity Drain.com



NOTE: Installer must verify all rough-in dimensions prior to installation and consult local and national codes. Conformity and compliance to local and national codes are the responsibility of the installer.

ID Infinity Drain

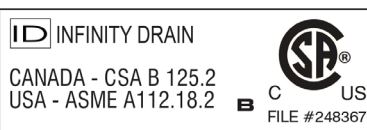


| Model Number | Complete Kit Contents | A (Maximum Overall Length) | B (Maximum Grate Length) | C (Minimum Height Above Waterproofing) * All heights can be adjusted upwards an additional 1-1/4" |
|------------------------------------|---|-------------------------------|-----------------------------|---|
| <input type="checkbox"/> FXIG 6532 | 1 - UA 6532 Grate 1 - XC 6532 Fixed Channel 1 - TNAS Threaded Nipple 1 - HS 2 Hair Strainer 1 - DKEY Lift Out Key | 32 1/8" | 31 7/8" | With CDI 22: 1-1/2" With CDA 22: 1-3/16" With CDP 22: 1-3/16" |
| <input type="checkbox"/> FXIG 6536 | 1 - UA 6536 Grate 1 - XC 6536 Fixed Channel 1 - TNAS Threaded Nipple 1 - HS 2 Hair Strainer 1 - DKEY Lift Out Key | 36 1/8" | 35 7/8" | With CDI 22: 1-1/2" With CDA 22: 1-3/16" With CDP 22: 1-3/16" |
| <input type="checkbox"/> FXIG 6542 | 1 - UA 6542 Grate 1 - XC 6542 Fixed Channel 1 - TNAS Threaded Nipple 1 - HS 2 Hair Strainer 1 - DKEY Lift Out Key | 42 1/8" | 41 7/8" | With CDI 22: 1-1/2" With CDA 22: 1-3/16" With CDP 22: 1-3/16" |
| <input type="checkbox"/> FXIG 6548 | 1 - UA 6548 Grate 1 - XC 6548 Fixed Channel 1 - TNAS Threaded Nipple 1 - HS 2 Hair Strainer 1 - DKEY Lift Out Key | 48 1/8" | 47 7/8" | With CDI 22: 1-1/2" With CDA 22: 1-3/16" With CDP 22: 1-3/16" |
| <input type="checkbox"/> FXIG 6560 | 1 - UA 6560 Grate 1 - XC 6560 Fixed Channel 1 - TNAS Threaded Nipple 1 - HS 2 Hair Strainer 1 - DKEY Lift Out Key | 60 1/8" | 59 7/8" | With CDI 22: 1-1/2" With CDA 22: 1-3/16" With CDP 22: 1-3/16" |

Finishes

- Satin Stainless (SS)
 Polished Stainless (PS)
 Lifetime Oil Rubbed Bronze (ORB)
 Satin Bronze (SB)

Infinity Drain
 145 Dixon Avenue
 Amityville, NY 11701
 Phone: 516.767.6786
 Fax: 516.740.3066
 www.Infinity Drain.com



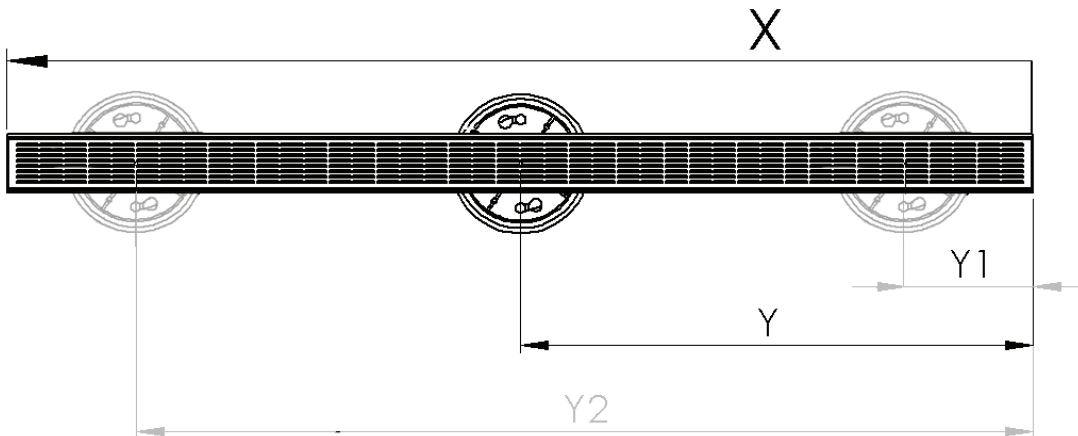
NOTE: Installer must verify all rough-in dimensions prior to installation and consult local and national codes. Conformity and compliance to local and national codes are the responsibility of the installer.

ID Infinity Drain

OPTIONAL COMPONENTS

| | |
|---------|---|
| TNAS-2 | 2" Long Stainless Steel Rescue Nipple |
| TNAS-3 | 3" Long Stainless Steel Rescue Nipple |
| TNAS-4 | 4" Long Stainless Steel Rescue Nipple |
| TNRN-S | Stainless Steel Extension Nipple |
| UCP 2 | Universal 2" Clamping Plate |
| UCP 42 | Universal Reducing Plate (Adapts 4" or 3" existing throat size to 2") |
| CDI 22 | Clamp Down Drain, Cast Iron , No Hub 2" Throat, 2" No Hub Outlet |
| CDA 22 | Clamp Down Drain, ABS , No Hub 2" Throat, 2" No Hub Outlet |
| CDP 22 | Clamp Down Drain, PVC , No Hub 2" Throat, 2" No Hub Outlet |
| CDIT 22 | Clamp Down Drain, Cast Iron , No Hub 2" Throat, 2" Threaded Outlet |
| CDIC 22 | Clamp Down Drain, Cast Iron , No Hub 2" Throat, 2" Inside Caulk Outlet |
| CDIS 22 | Clamp Down Drain, Cast Iron , Integral Trap 2" Throat, 2" Threaded Side Outlet |
| CDIQ 42 | Clamp Down Drain, Cast Iron , Side Outlet No Trap 4" Throat, 2" Outlet (For use with UCP 42) |

□ FXIG 65 CUSTOM



- Satin Stainless
 Polished Stainless
 Oil Rubbed Bronze
 Matte White
 Matte Black
 Satin Bronze

X: LENGTH: Overall Channel Dimension (inches): _____
 Desired finished dimension
 For lengths greater than 60", multiple grates are supplied, unless otherwise noted.

Y: OUTLET LOCATION: _____ # of outlets | Center of Outlet(s) to right edge: Y1 _____ Y2 _____ Y3 _____

RUSH: Yes _____ NO _____

Rush charge applied per set-up. Turnaround is 7 business days, plus shipping. (Rush does not apply to some custom designs, please contact Infinity Drain for details)

Customer: _____

Job Name: _____

Approved by: _____

Date: _____

Infinity Drain
 145 Dixon Avenue
 Amityville, NY 11701
 Phone: 516.767.6786
 Fax: 516.740.3066
 www.Infinity Drain.com



NOTE: Installer must verify all rough-in dimensions prior to installation and consult local and national codes. Conformity and compliance to local and national codes are the responsibility of the installer.