

FXED 65 Series



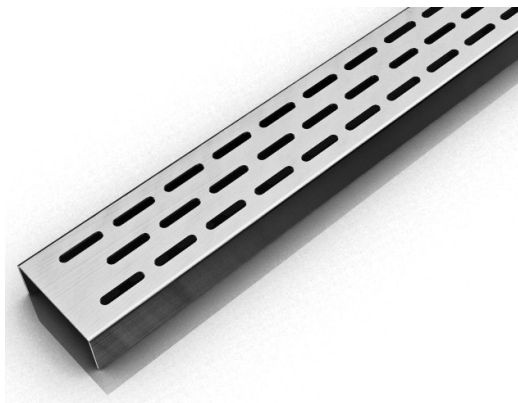
FXED 65 | Fixed Length

- 16 gauge 304 Stainless Steel grate and channel
- Pre-pitched channel with "Fixed" lengths and "Fixed" center outlet
- Not site sizeable
- Indoor or outdoor use
- Works with 2" clamp down floor drain with 2" throat (strainer size) (not included)
- Uses Hot Mop, Lead Pan, PVC Vinyl Liner, Rubber Liner (Chloraloy™) Copper Pan or Fiberglass waterproofing
- Grate can be removed completely for cleaning
- Flow rate 9 GPM per outlet*

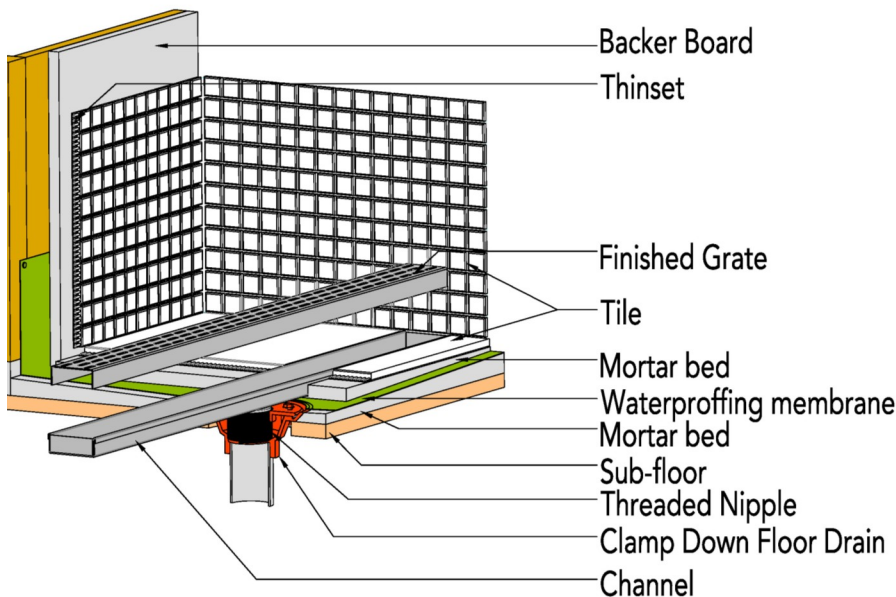
*Flow rate measured at outlet only. Measurement does not account for water in channel or sheeting on shower floor.

Finishes:

- ___ Satin Stainless
- ___ Polished Stainless
- ___ Lifetime Oil
- ___ Rubbed Bronze



Installation (FX) Fixed



Complete Kits:

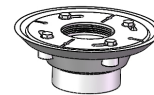
FXED 6532	32" Complete Kit
FXED 6536	36" Complete Kit
FXED 6542	42" Complete Kit
FXED 6548	48" Complete Kit
FXED 6560	60" Complete Kit

Components:

EA 6532	32" Stainless Steel Grate
EA 6536	36" Stainless Steel Grate
EA 6542	42" Stainless Steel Grate
EA 6548	48" Stainless Steel Grate
EA 6560	60" Stainless Steel Grate
XC 6532	32" Stainless Steel Fixed Channel
XC 6536	36" Stainless Steel Fixed Channel
XC 6542	42" Stainless Steel Fixed Channel
XC 6548	48" Stainless Steel Fixed Channel
XC 6560	60" Stainless Steel Fixed Channel
TNAS	Stainless Steel Threaded Nipple

Add Clamp Down Drain:

CDA 22	Clamp Down Drain ABS
CDI 22	Clamp Down Drain Cast Iron
CDP 22	Clamp Down Drain PVC



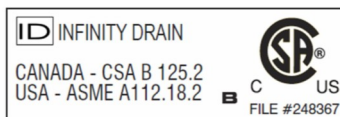
2" clamp down drain not included in kit

Optional Components:

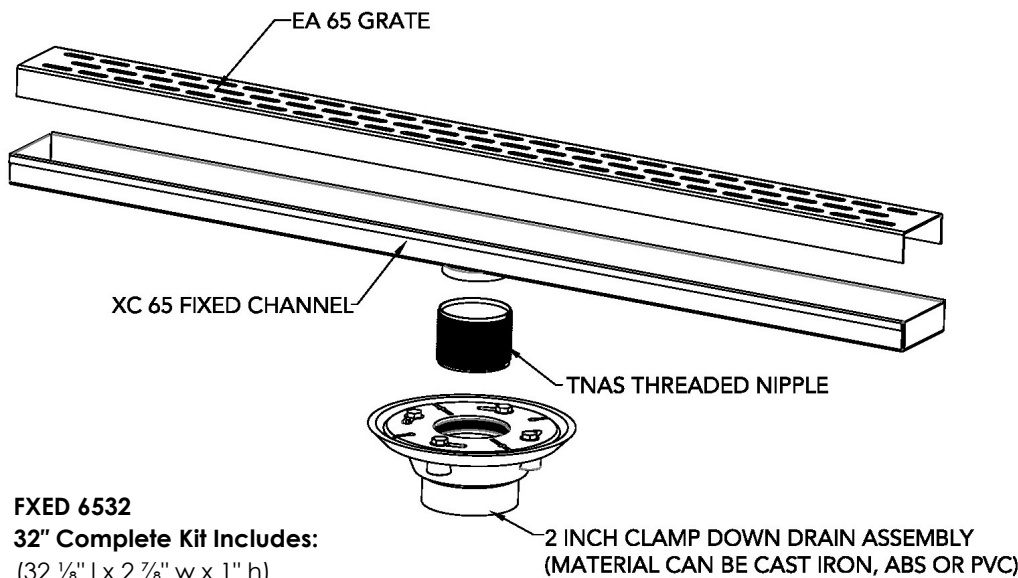
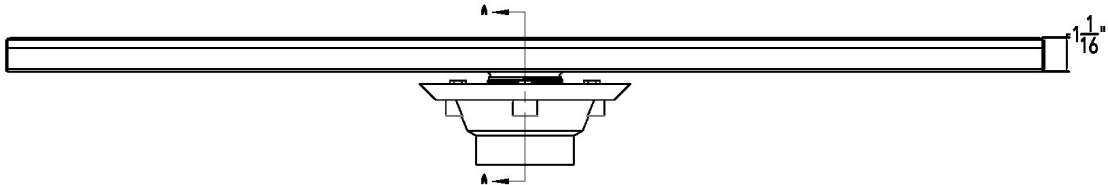
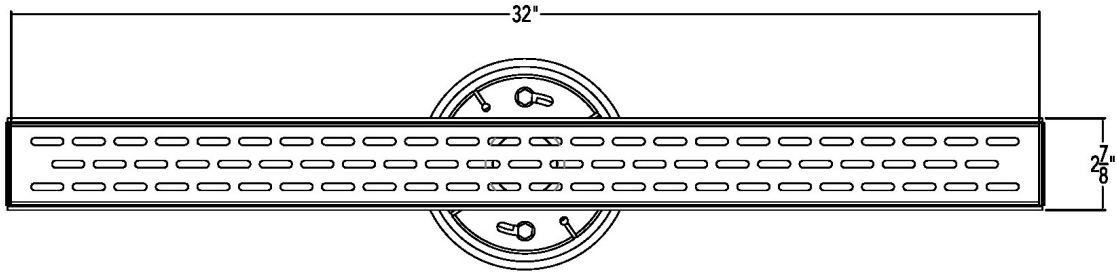
TNRN	Stainless Steel Threaded Nipple (3" extension)
UCP 2	Universal 2" Clamping Plate
UCP 4	Universal 4" Clamping Plate
ERB	Eccentric Reducer Bushing 4"x2"

Note: Installer must verify all rough-in dimensions prior to installation and consult local and national codes. Conformity and compliance to local and national codes are the responsibility of the installer.

Infinity Drain
 18 Secatoag Avenue
 Port Washington, NY 11050
 Phone: 516.767.6786
 Fax: 516.740.3066
 www.InfinityDrain.com



FXED 6532 Specifications

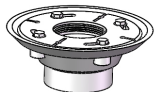


FXED 6532
32" Complete Kit Includes:
 (32 1/8" l x 2 7/8" w x 1" h)

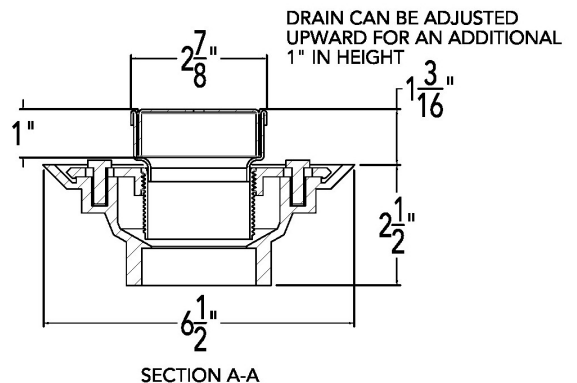
- 1 - EA 6532 Stainless Steel Grate
- 1 - XC 6532 Fixed Channel
- 1 - TNAS Threaded Nipple

Add Clamp Down Drain:

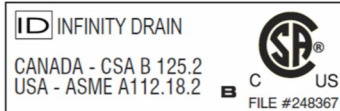
- CDA 22 Clamp Down Drain ABS
- CDI 22 Clamp Down Drain Cast Iron
- CDP 22 Clamp Down Drain PVC



2" clamp down drain not included in kit

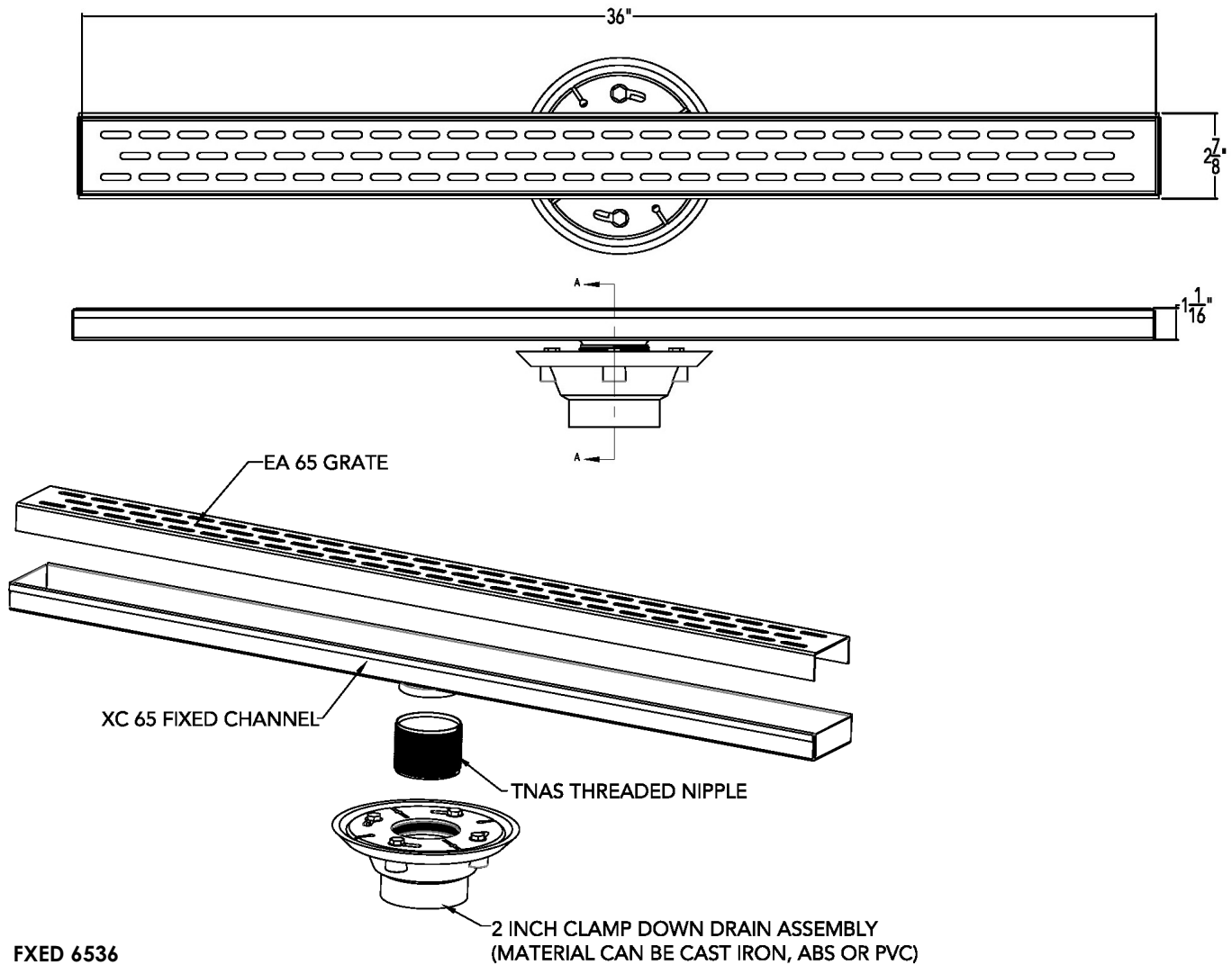


Infinity Drain
 18 Secatoag Avenue
 Port Washington, NY 11050
 Phone: 516.767.6786
 Fax: 516.740.3066
 www.InfinityDrain.com



Note: Installer must verify all rough-in dimensions prior to installation and consult local and national codes. Conformity and compliance to local and national codes are the responsibility of the installer.

FXED 6536 Specifications



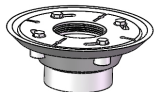
FXED 6536

36" Complete Kit Includes:

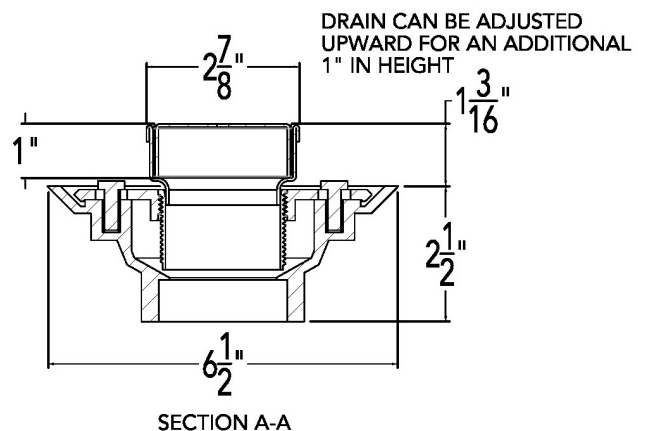
- (36 1/8" l x 2 7/8" w x 1" h)
- 1 - EA 6536 Stainless Steel Grate
- 1 - XC 6536 Fixed Channel
- 1 - TNAS Threaded Nipple

Add Clamp Down Drain:

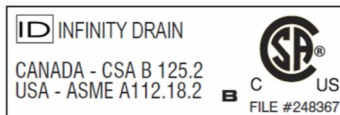
- CDA 22 Clamp Down Drain ABS
- CDI 22 Clamp Down Drain Cast Iron
- CDP 22 Clamp Down Drain PVC



2" clamp down drain not included in kit

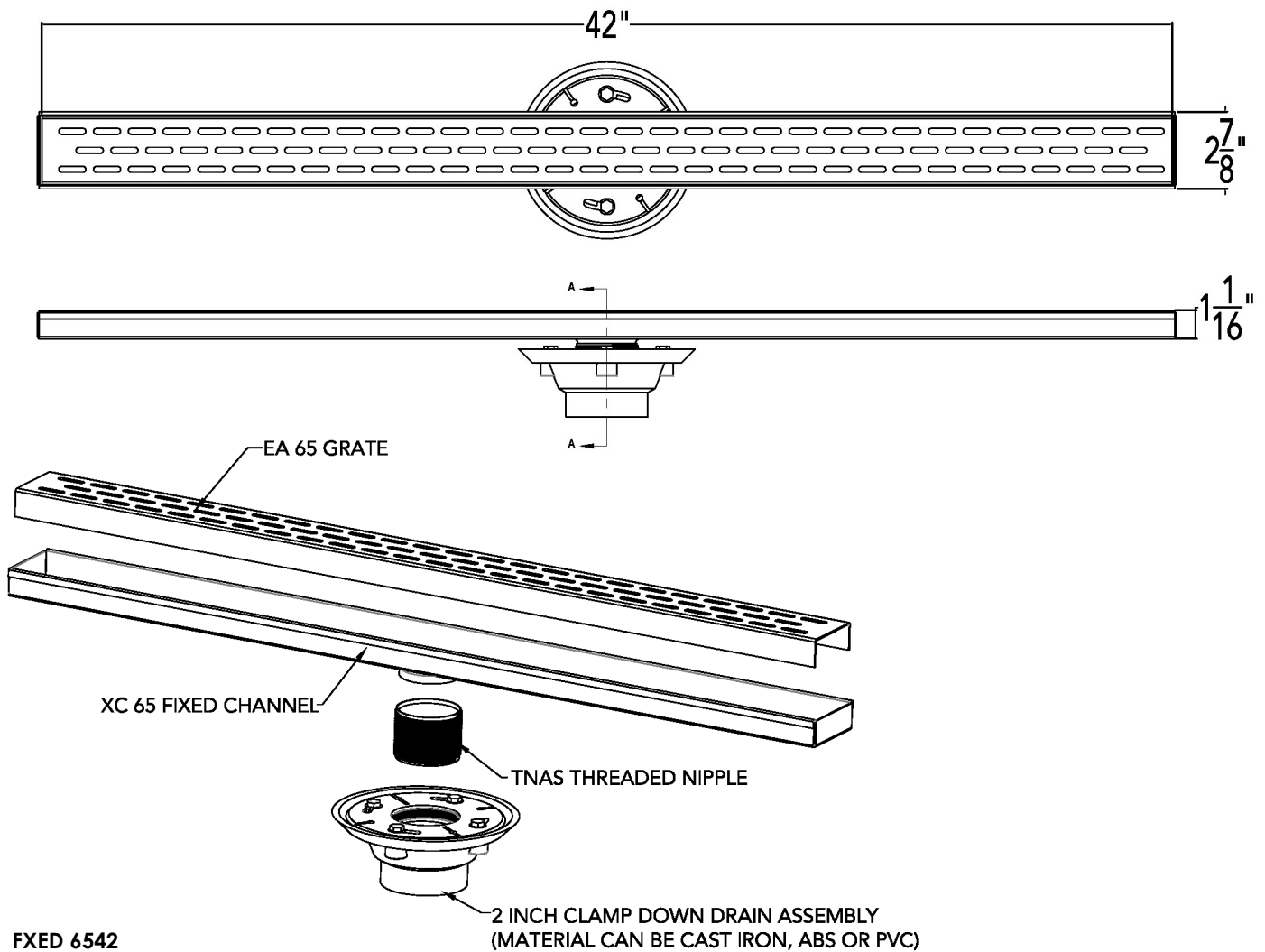


Infinity Drain
 18 Secatoag Avenue
 Port Washington, NY 11050
 Phone: 516.767.6786
 Fax: 516.740.3066
 www.InfinityDrain.com



Note: Installer must verify all rough-in dimensions prior to installation and consult local and national codes. Conformity and compliance to local and national codes are the responsibility of the installer.

FXED 6542 Specifications



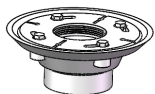
FXED 6542

42" Complete Kit Includes:

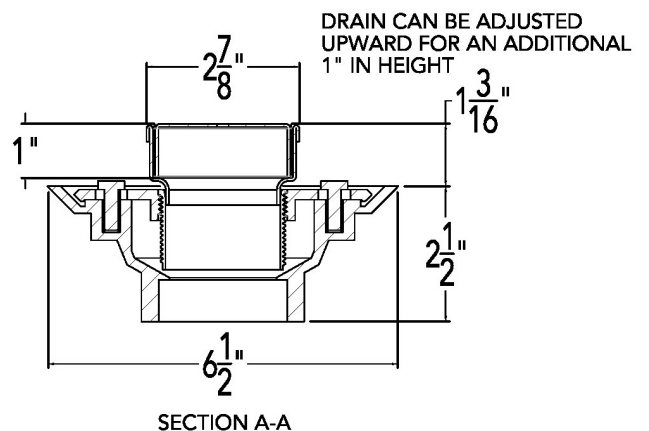
- (42 1/8" l x 2 7/8" w x 1" h)
- 1 - EA 6542 Stainless Steel Grate
- 1 - XC 6542 Fixed Channel
- 1 - TNAS Threaded Nipple

Add Clamp Down Drain:

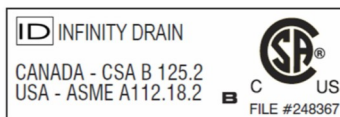
- CDA 22 Clamp Down Drain ABS
- CDI 22 Clamp Down Drain Cast Iron
- CDP 22 Clamp Down Drain PVC



2" clamp down drain not included in kit

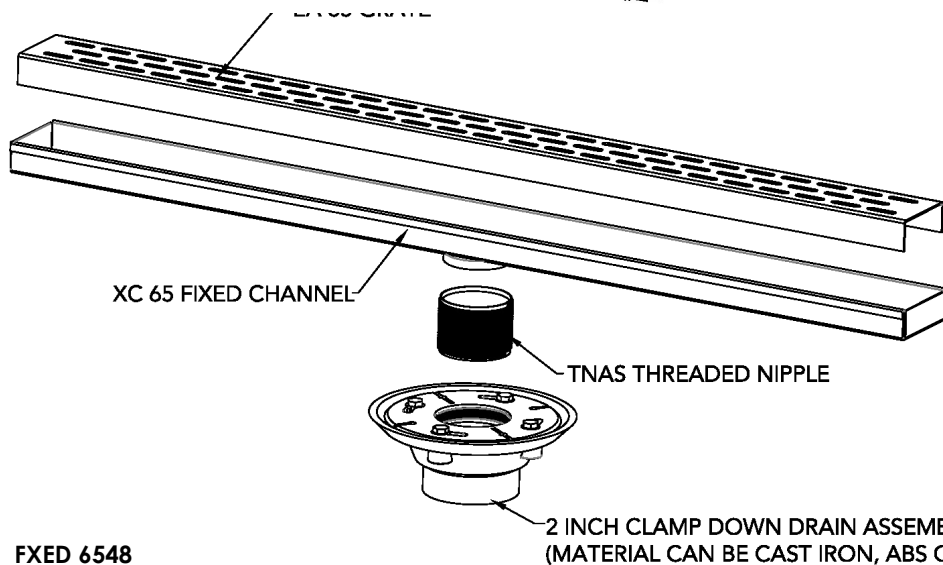
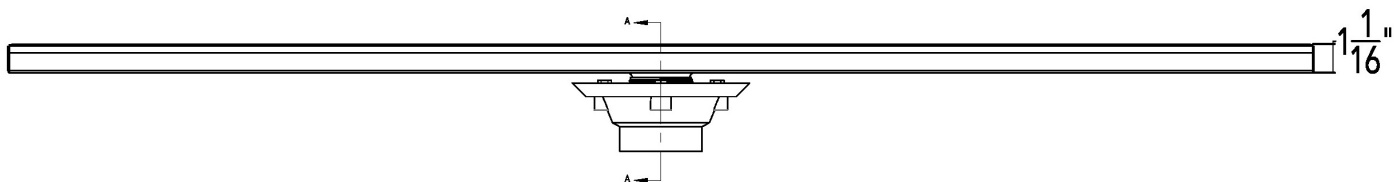
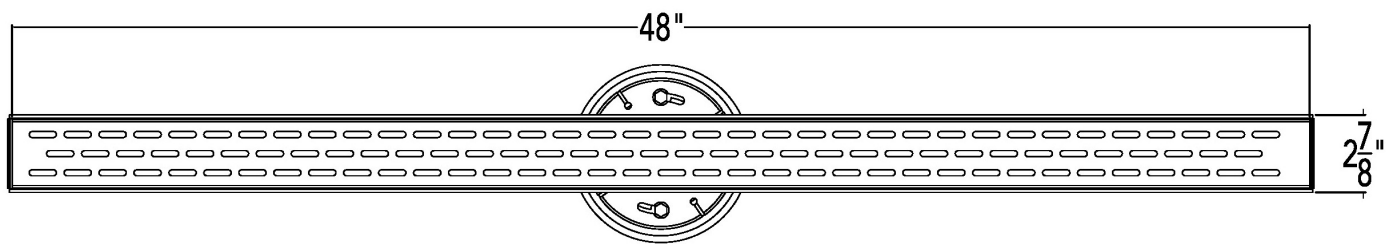


Infinity Drain
 18 Secatoag Avenue
 Port Washington, NY 11050
 Phone: 516.767.6786
 Fax: 516.740.3066
 www.InfinityDrain.com



Note: Installer must verify all rough-in dimensions prior to installation and consult local and national codes. Conformity and compliance to local and national codes are the responsibility of the installer.

FXED 6548 Specifications



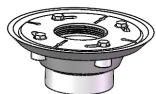
FXED 6548

48" Complete Kit Includes:

- (48 1/8" l x 2 7/8" w x 1" h)
- 1 - EA 6548 Stainless Steel Grate
- 1 - XC 6548 Fixed Channel
- 1 - TNAS Threaded Nipple

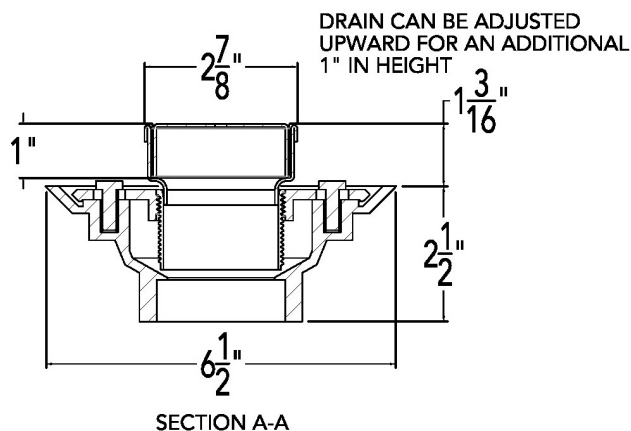
Add Clamp Down Drain:

- CDA 22 Clamp Down Drain ABS
- CDI 22 Clamp Down Drain Cast Iron
- CDP 22 Clamp Down Drain PVC

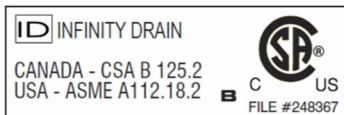


2" clamp down drain not included in kit

2 INCH CLAMP DOWN DRAIN ASSEMBLY
(MATERIAL CAN BE CAST IRON, ABS OR PVC)



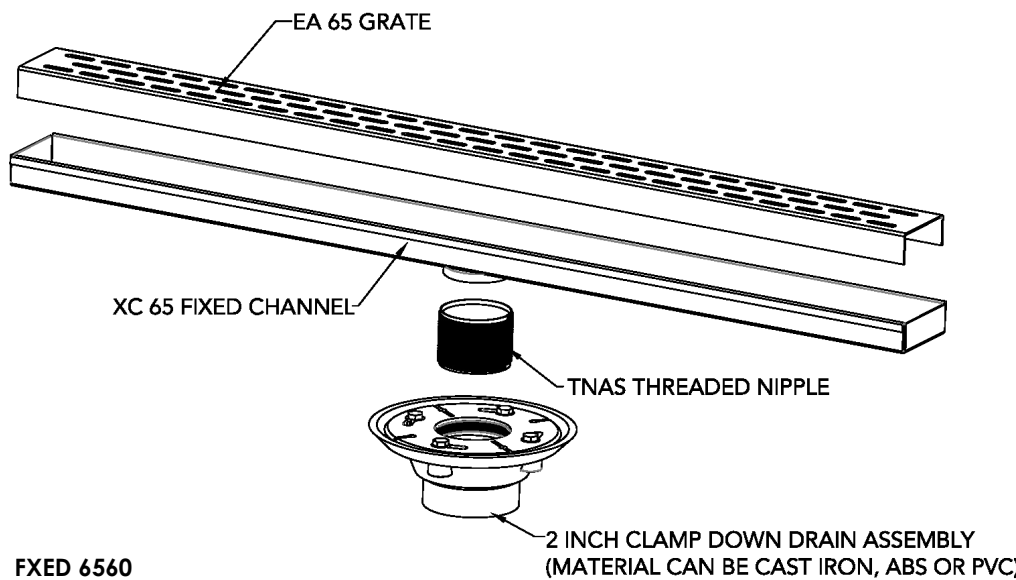
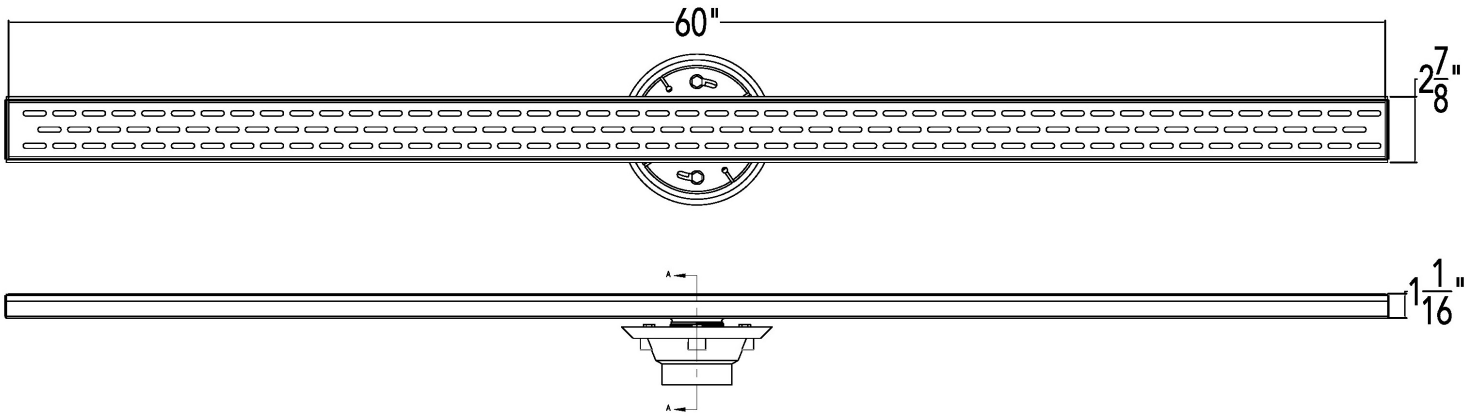
Infinity Drain
18 Secatoag Avenue
Port Washington, NY 11050
Phone: 516.767.6786
Fax: 516.740.3066
www.InfinityDrain.com



Note: Installer must verify all rough-in dimensions prior to installation and consult local and national codes. Conformity and compliance to local and national codes are the responsibility of the installer.

FXED 6560 Specifications

ID Infinity Drain



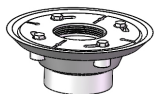
FXED 6560

60" Complete Kit Includes:

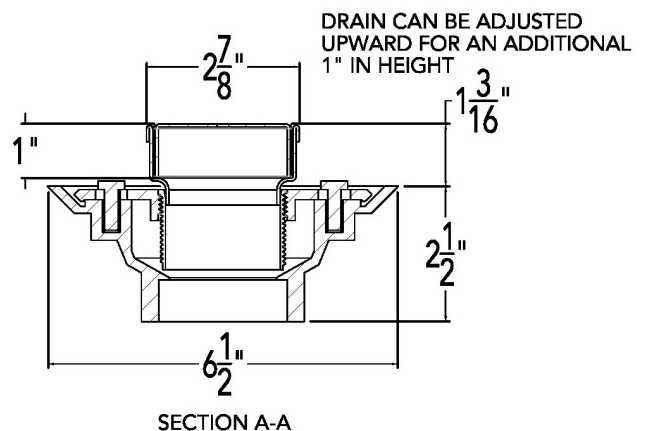
- (60 1/8" l x 2 7/8" w x 1" h)
- 1 - EA 6548 Stainless Steel Grate
- 1 - XC 6548 Fixed Channel
- 1 - TNAS Threaded Nipple

Add Clamp Down Drain:

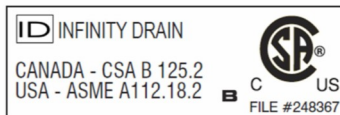
- CDA 22 Clamp Down Drain ABS
- CDI 22 Clamp Down Drain Cast Iron
- CDP 22 Clamp Down Drain PVC



2" clamp down drain not included in kit



Infinity Drain
 18 Secatoag Avenue
 Port Washington, NY 11050
 Phone: 516.767.6786
 Fax: 516.740.3066
 www.InfinityDrain.com



Note: Installer must verify all rough-in dimensions prior to installation and consult local and national codes. Conformity and compliance to local and national codes are the responsibility of the installer.