

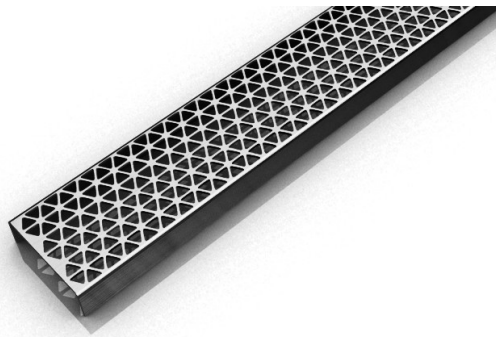
FFMN 65 Series

FFMN 65 | Fixed Length

- 14 gauge 304 Stainless Steel grate
 - 16 gauge 304 Stainless Steel channel
 - Pre-pitched channel with "Fixed" lengths and "Fixed" center vertical (down) outlet location
 - Not site sizeable
 - Indoor or outdoor use
 - Bonded "Flange" installation for flush against the wall.
 - Lowest height for curbless installations
 - Uses Liquid and Fabric Sheet Membrane waterproofing
 - Grate can be removed completely for cleaning
 - Flow rate 9 GPM per outlet*
- *Flow rate measured at outlet only. Measurement does not account for water in channel or sheeting on shower floor.*

Finishes:

- ___ Satin Stainless
- ___ Polished Stainless
- ___ Lifetime Oil
- ___ Rubbed Bronze
- ___ Matte White
- ___ Matte Black



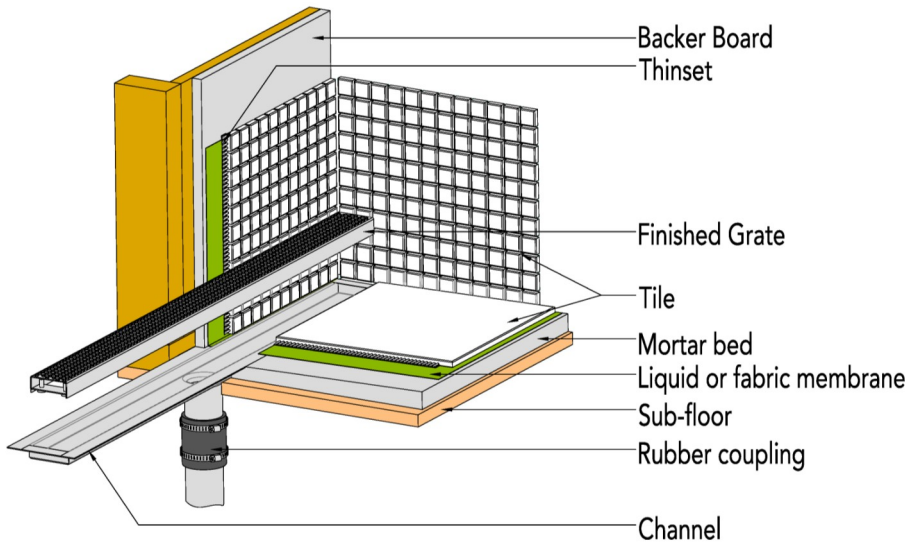
Complete Kits:

- FFMN 6532 32" Complete Kit
- FFMN 6536 36" Complete Kit
- FFMN 6542 42" Complete Kit
- FFMN 6548 48" Complete Kit
- FFMN 6560 60" Complete Kit

Components:

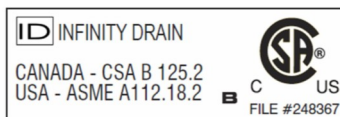
- MA 6532 32" Stainless Steel Grate
- MA 6536 36" Stainless Steel Grate
- MA 6542 42" Stainless Steel Grate
- MA 6548 48" Stainless Steel Grate
- MA 6560 60" Stainless Steel Grate
- FC 6532 32" Stainless Steel Fixed Channel
- FC 6536 36" Stainless Steel Fixed Channel
- FC 6542 42" Stainless Steel Fixed Channel
- FC 6548 48" Stainless Steel Fixed Channel
- FC 6560 60" Stainless Steel Fixed Channel

Installation (FF) Fixed Flange



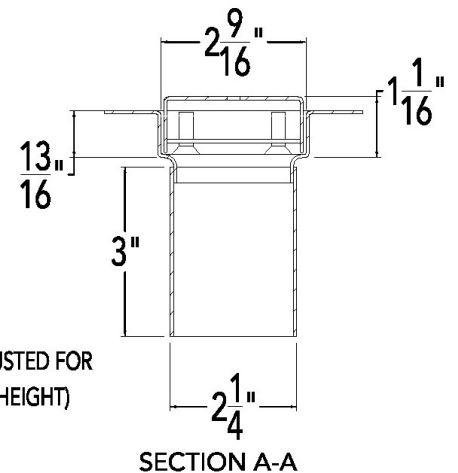
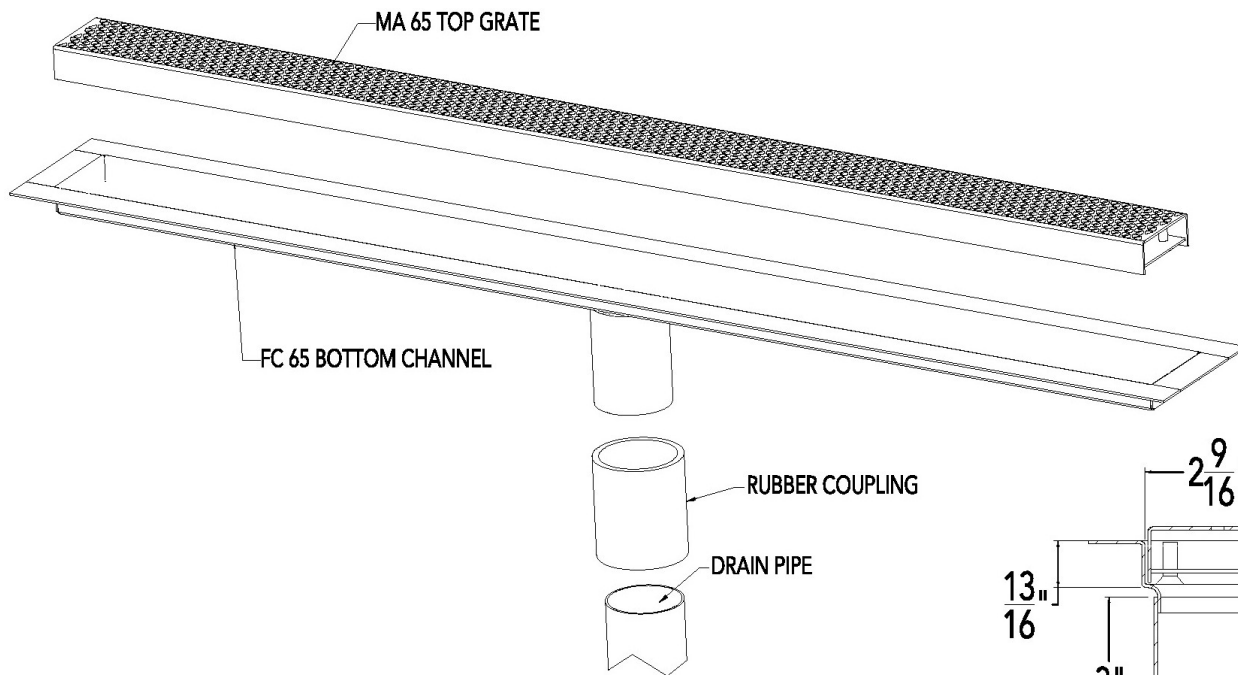
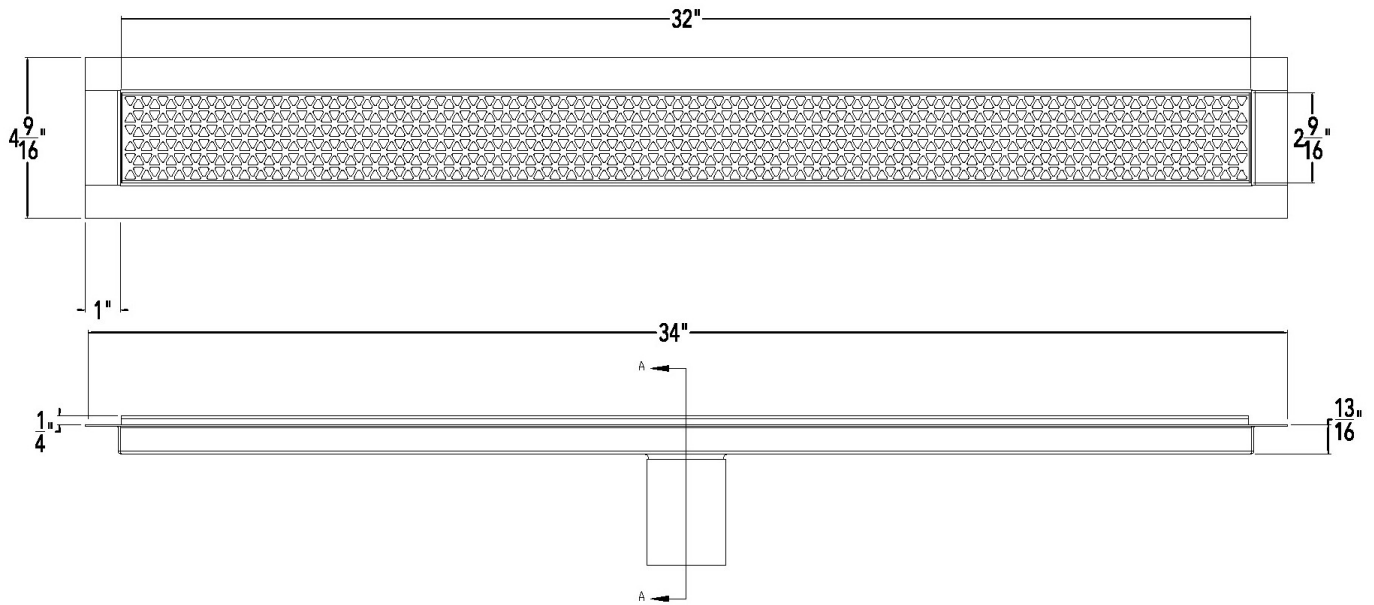
Infinity Drain

18 Secatoag Avenue
Port Washington, NY 11050
Phone: 516.767.6786
Fax: 516.740.3066
www.InfinityDrain.com



Note: Installer must verify all rough-in dimensions prior to installation and consult local and national codes. Conformity and compliance to local and national codes are the responsibility of the installer.

FFMN 6532 Specifications



FFMN 6532

32" Complete Kit Includes:

(34 1/8" l x 4 1/2" w x 4 13/16" h)

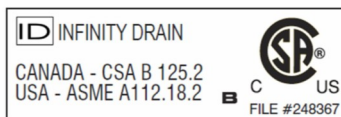
1 - MA 6532 Grate

1 - FC 6532 Fixed Flange Channel

(SCREWS CAN BE ADJUSTED FOR UP TO 1/2" ADDITIONAL HEIGHT)

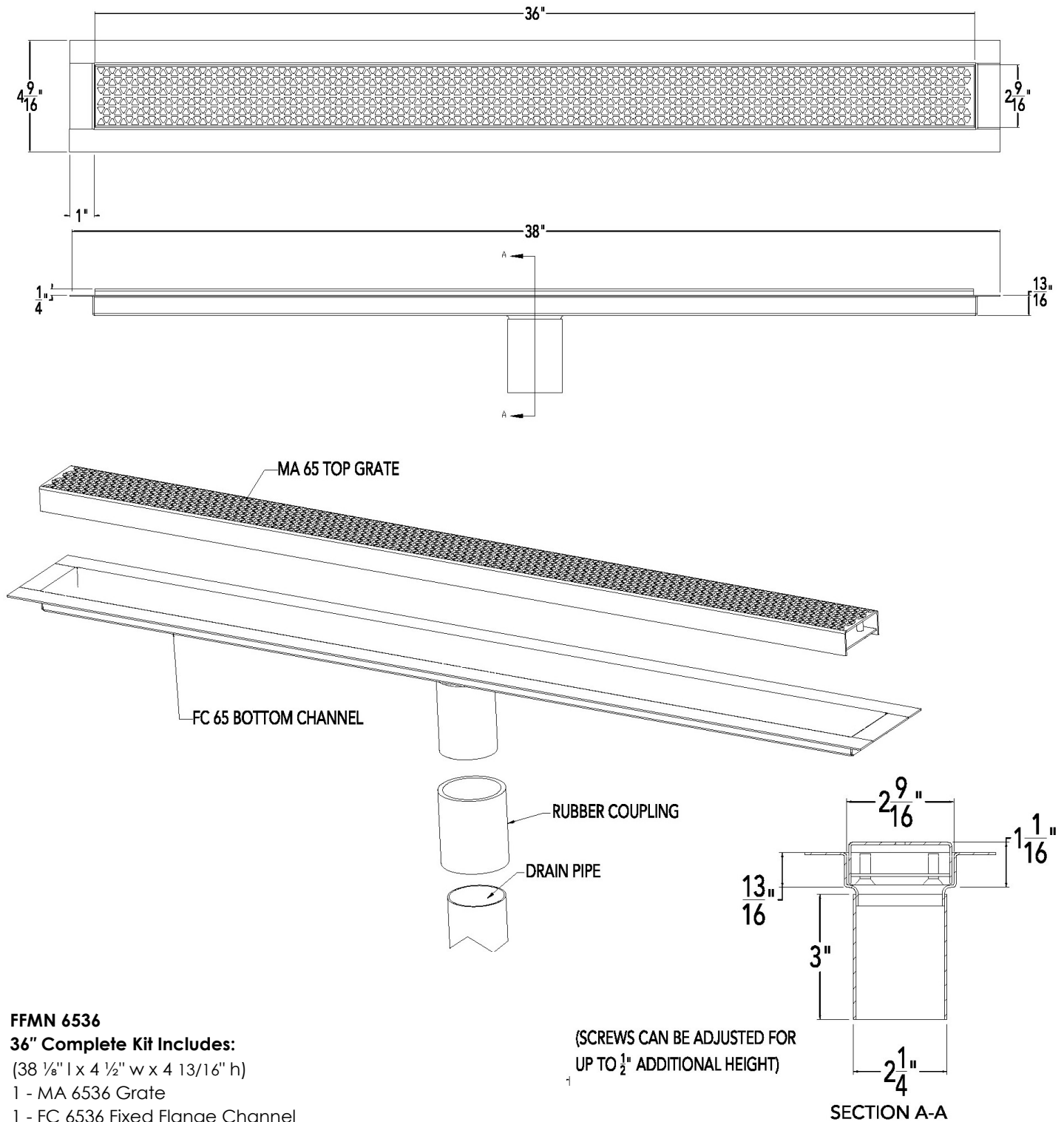
Infinity Drain

18 Secatoag Avenue
 Port Washington, NY 11050
 Phone: 516.767.6786
 Fax: 516.740.3066
 www.InfinityDrain.com



Note: Installer must verify all rough-in dimensions prior to installation and consult local and national codes. Conformity and compliance to local and national codes are the responsibility of the installer.

FFMN 6536 Specifications



FFMN 6536

36" Complete Kit Includes:

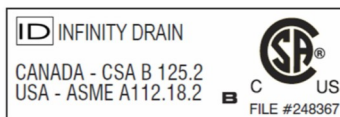
(38 1/8" l x 4 1/2" w x 4 13/16" h)

1 - MA 6536 Grate

1 - FC 6536 Fixed Flange Channel

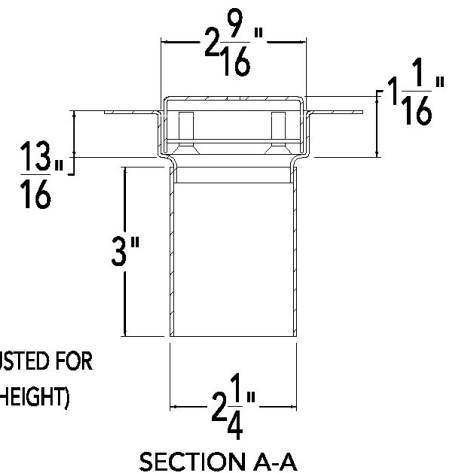
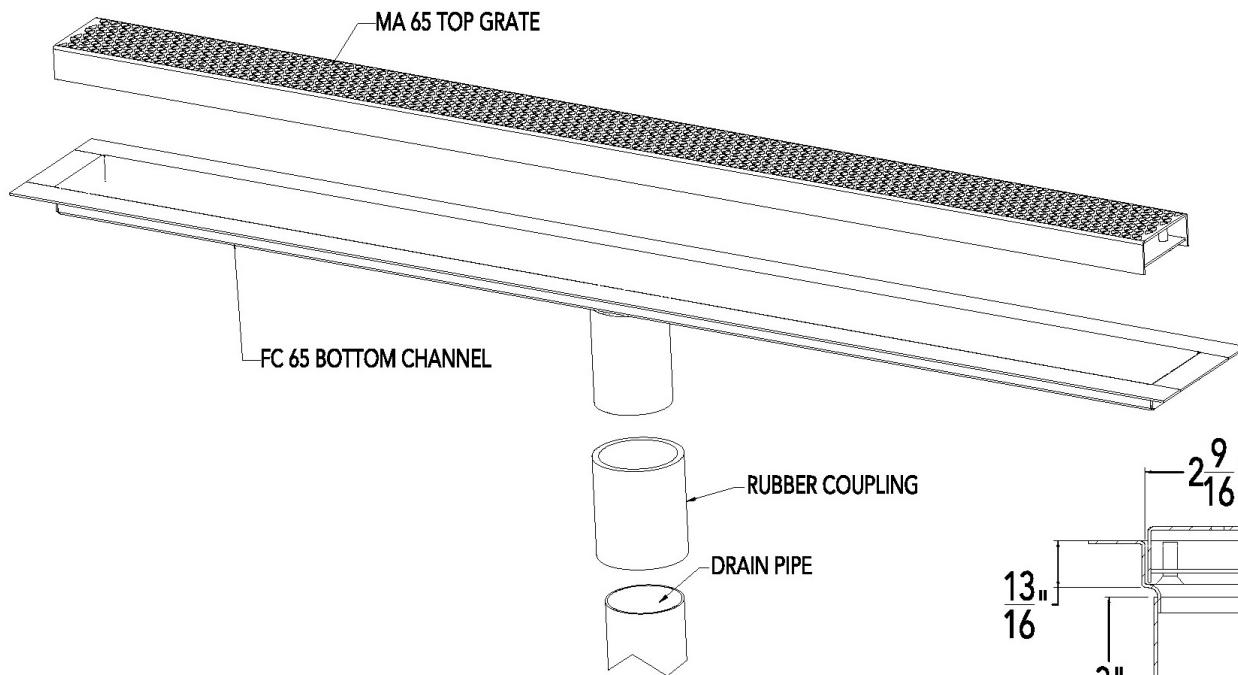
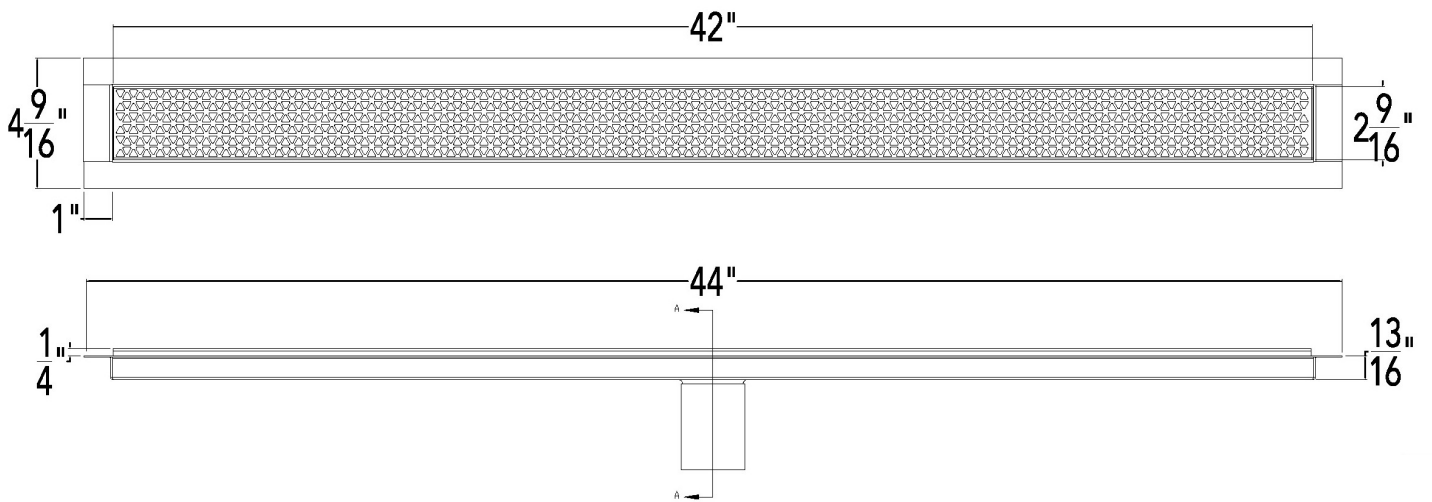
Infinity Drain

18 Secatoag Avenue
 Port Washington, NY 11050
 Phone: 516.767.6786
 Fax: 516.740.3066
 www.InfinityDrain.com



Note: Installer must verify all rough-in dimensions prior to installation and consult local and national codes. Conformity and compliance to local and national codes are the responsibility of the installer.

FFMN 6542 Specifications



FFMN 6542

42" Complete Kit Includes:

(44 1/8" l x 4 1/2" w x 4 13/16" h)

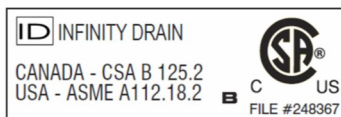
1 - MA 6542 Grate

1 - FC 6542 Fixed Flange Channel

(SCREWS CAN BE ADJUSTED FOR UP TO 1/2" ADDITIONAL HEIGHT)

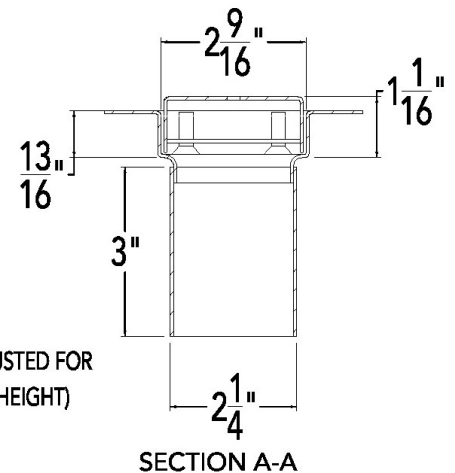
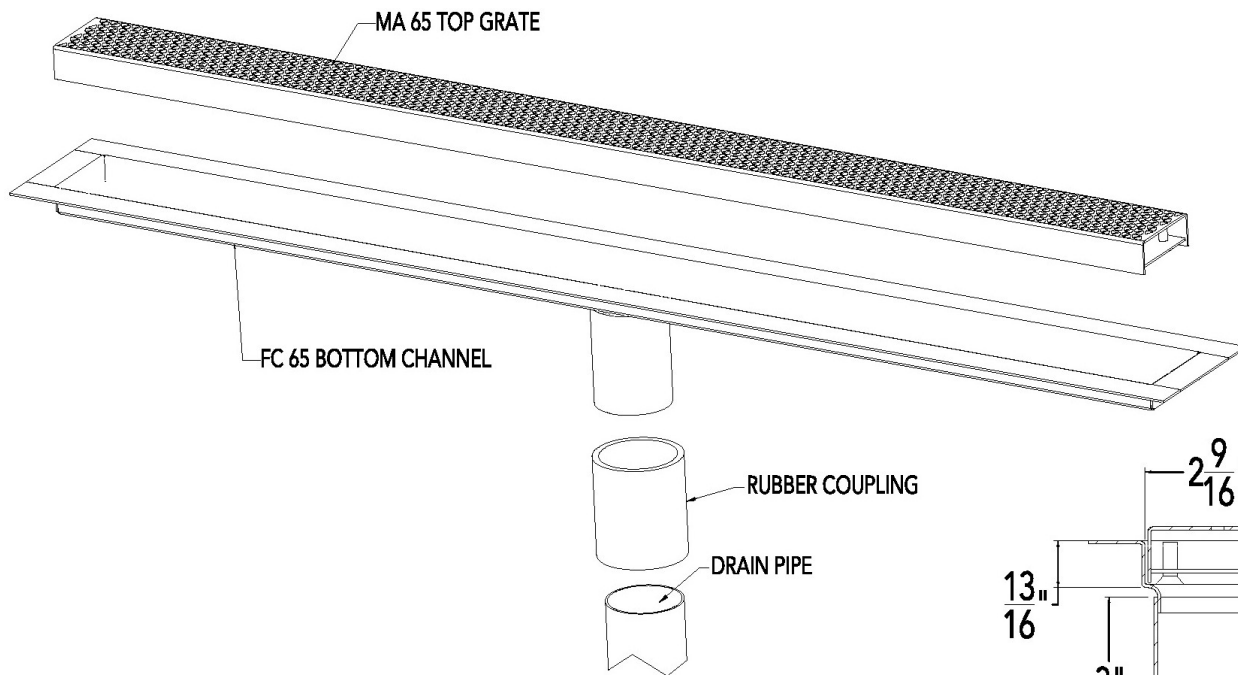
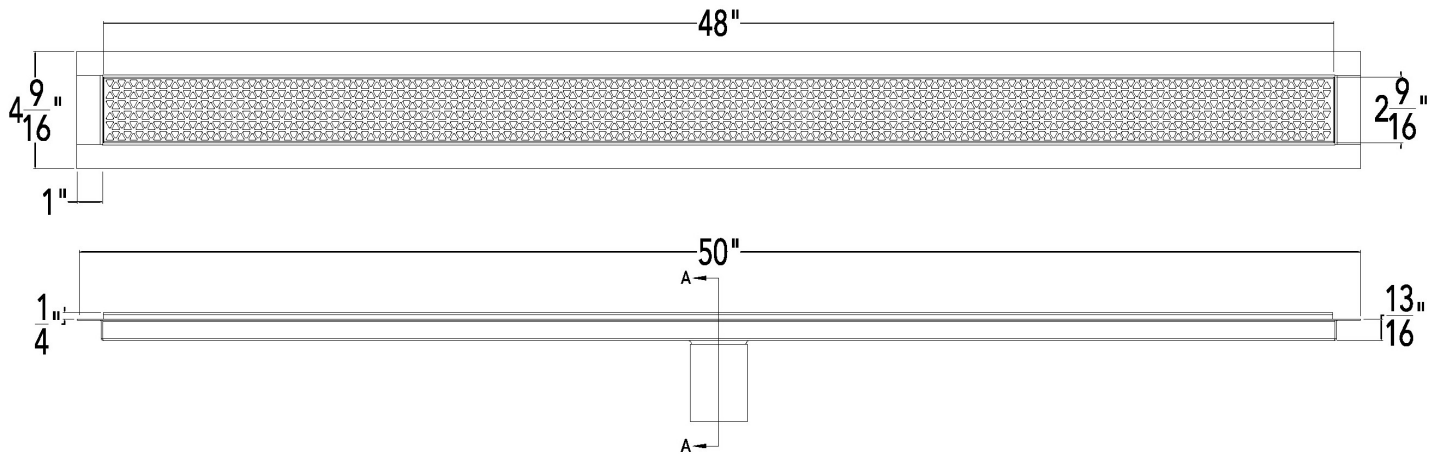
Infinity Drain

18 Secatoag Avenue
 Port Washington, NY 11050
 Phone: 516.767.6786
 Fax: 516.740.3066
 www.InfinityDrain.com



Note: Installer must verify all rough-in dimensions prior to installation and consult local and national codes. Conformity and compliance to local and national codes are the responsibility of the installer.

FFMN 6548 Specifications



FFMN 6548

48" Complete Kit Includes:

(50 1/8" l x 4 1/2" w x 4 13/16" h)

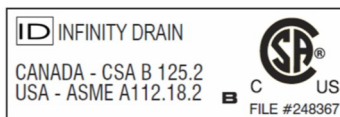
1 - MA 6548 Grate

1 - FC 6548 Fixed Flange Channel

(SCREWS CAN BE ADJUSTED FOR UP TO 1/2" ADDITIONAL HEIGHT)

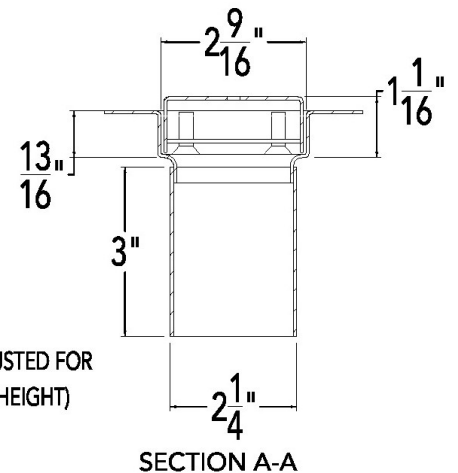
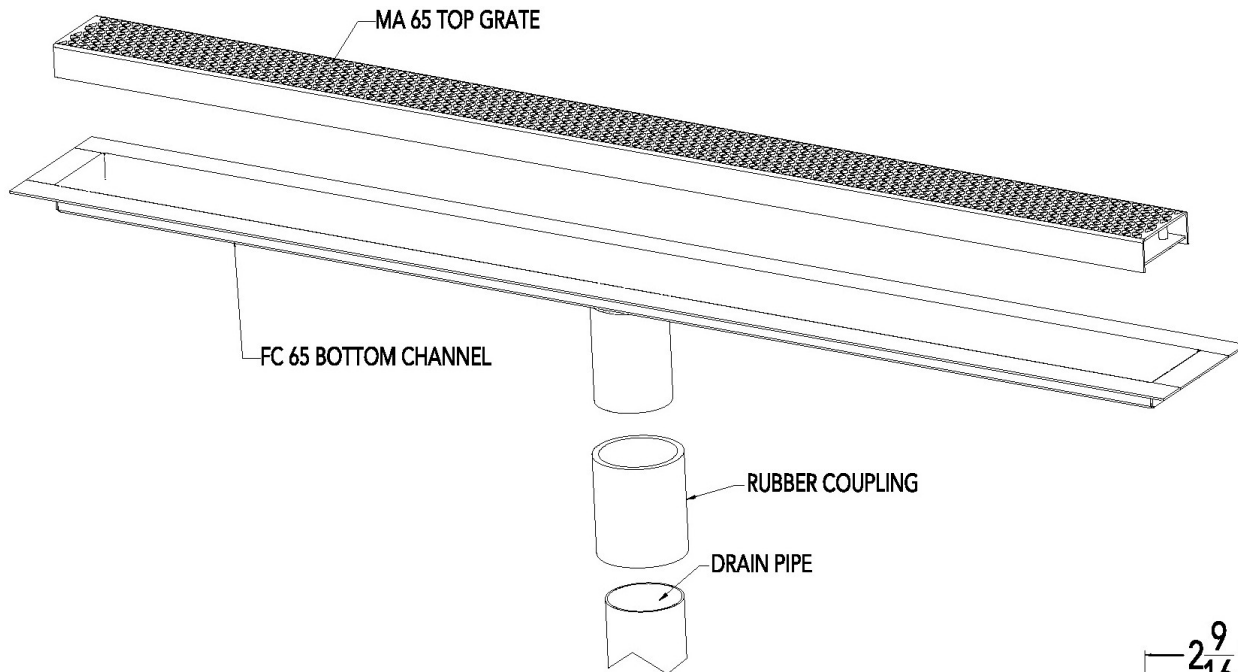
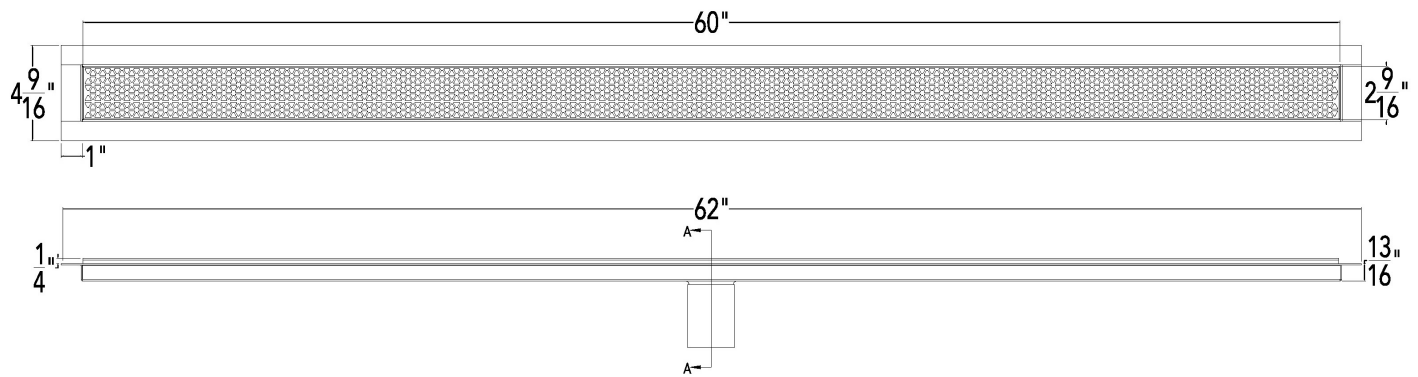
Infinity Drain

18 Secatoag Avenue
 Port Washington, NY 11050
 Phone: 516.767.6786
 Fax: 516.740.3066
 www.InfinityDrain.com



Note: Installer must verify all rough-in dimensions prior to installation and consult local and national codes. Conformity and compliance to local and national codes are the responsibility of the installer.

FFMN 6560 Specifications



FFMN 6560

60" Complete Kit Includes:

(62 1/8" l x 4 1/2" w x 4 13/16" h)

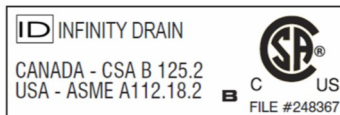
1 - MA 6560 Grate

1 - FC 6560 Fixed Flange Channel

(SCREWS CAN BE ADJUSTED FOR UP TO 1/2" ADDITIONAL HEIGHT)

Infinity Drain

18 Secatoag Avenue
Port Washington, NY 11050
Phone: 516.767.6786
Fax: 516.740.3066
www.InfinityDrain.com



Note: Installer must verify all rough-in dimensions prior to installation and consult local and national codes. Conformity and compliance to local and national codes are the responsibility of the installer.