

FFDG 65 Series

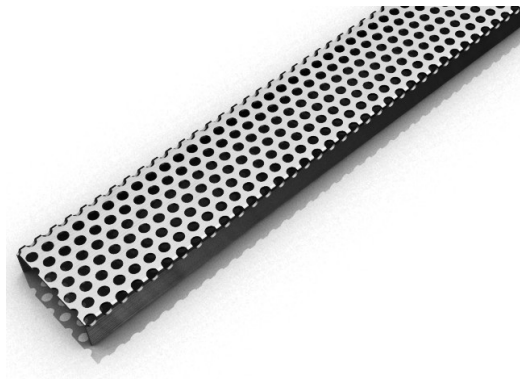
FFDG 65 | Fixed Length

- 16 gauge 304 Stainless Steel grate and channel
- Pre-pitched channel with "Fixed" lengths and "Fixed" center vertical (down) outlet location
- Not site sizeable
- Indoor or outdoor use
- Bonded "Flange" installation for flush against the wall.
- Lowest height for curbless installations
- Uses Liquid and Fabric Sheet Membrane waterproofing
- Grate can be removed completely for cleaning
- Flow rate 9 GPM per outlet*

*Flow rate measured at outlet only. Measurement does not account for water in channel or sheeting on shower floor.

Finishes:

- ___ Satin Stainless
- ___ Polished Stainless



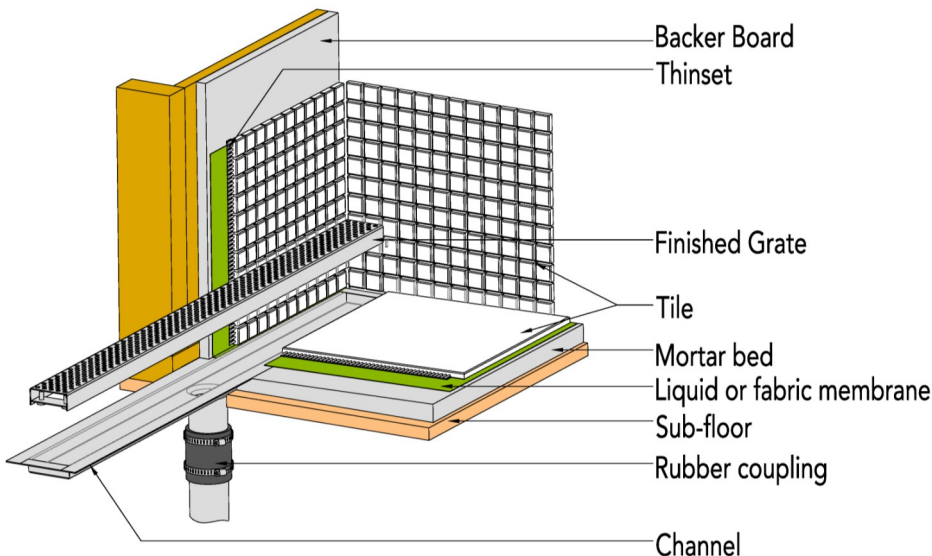
Complete Kits:

- FFDG 6532 32" Complete Kit
- FFDG 6536 36" Complete Kit
- FFDG 6542 42" Complete Kit
- FFDG 6548 48" Complete Kit
- FFDG 6560 60" Complete Kit

Components:

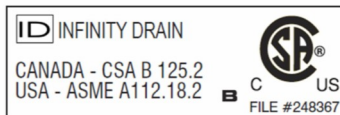
- DA 6532 32" Stainless Steel Grate
- DA 6536 36" Stainless Steel Grate
- DA 6542 42" Stainless Steel Grate
- DA 6548 48" Stainless Steel Grate
- DA 6560 60" Stainless Steel Grate
- FC 6532 32" Stainless Steel Fixed Channel
- FC 6536 36" Stainless Steel Fixed Channel
- FC 6542 42" Stainless Steel Fixed Channel
- FC 6548 48" Stainless Steel Fixed Channel
- FC 6560 60" Stainless Steel Fixed Channel

Installation (FF) Fixed Flange



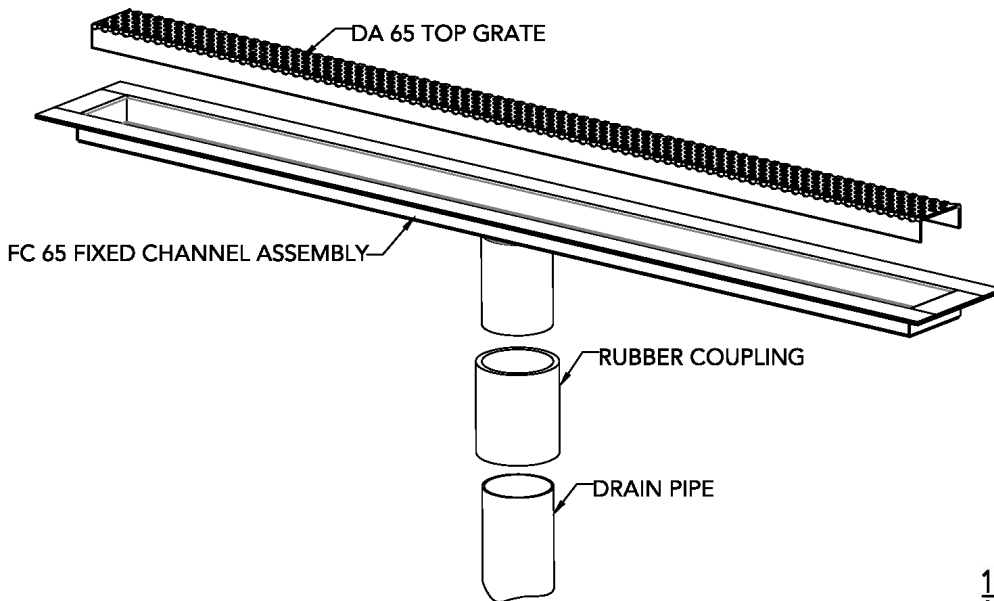
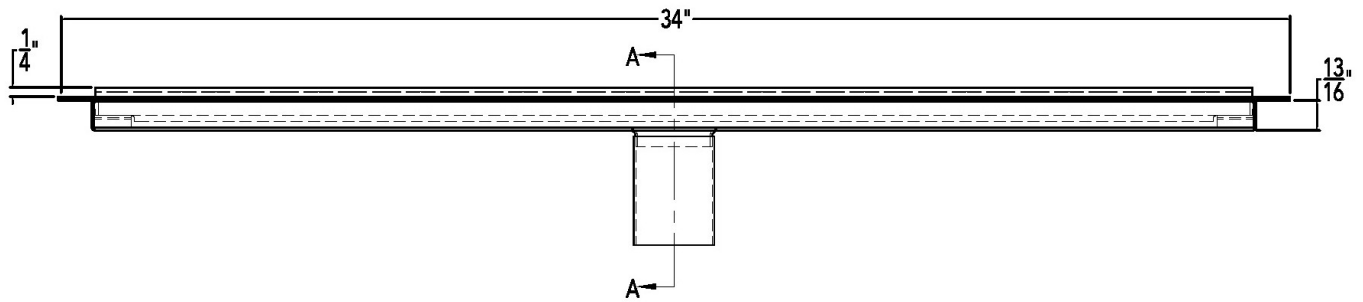
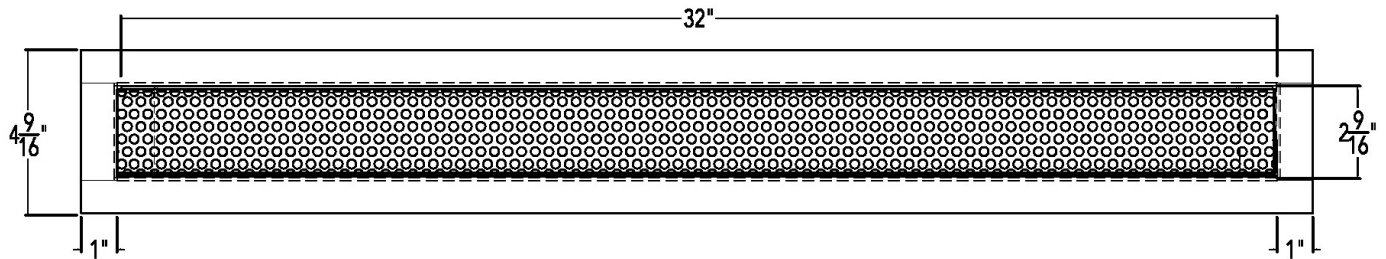
Infinity Drain

18 Secatoag Avenue
Port Washington, NY 11050
Phone: 516.767.6786
Fax: 516.740.3066
www.InfinityDrain.com

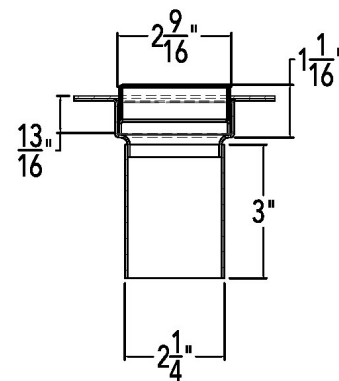


Note: Installer must verify all rough-in dimensions prior to installation and consult local and national codes. Conformity and compliance to local and national codes are the responsibility of the installer.

FFDG 6532 Specifications



DRAIN CAN BE ADJUSTED UPWARD FOR AN ADDITIONAL 1/2" IN HEIGHT



SECTION A-A

FFDG 6532

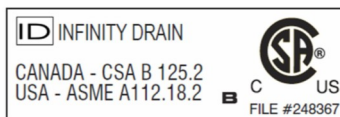
32" Complete Kit Includes:

(34 1/8" l x 4 1/2" w x 4 13/16" h)

- 1 - DA 6532 Stainless Steel Grate
- 1 - FC 6532 Fixed Flange Channel

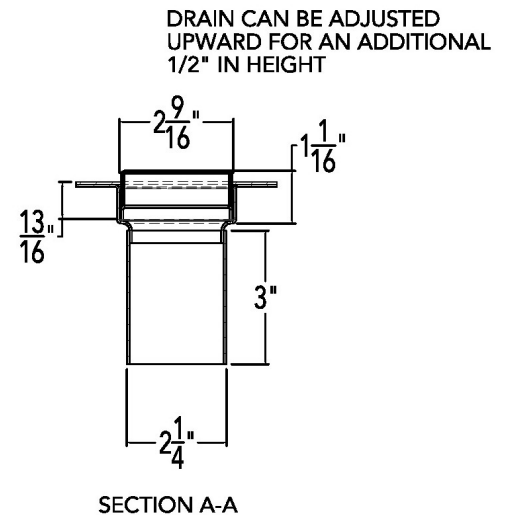
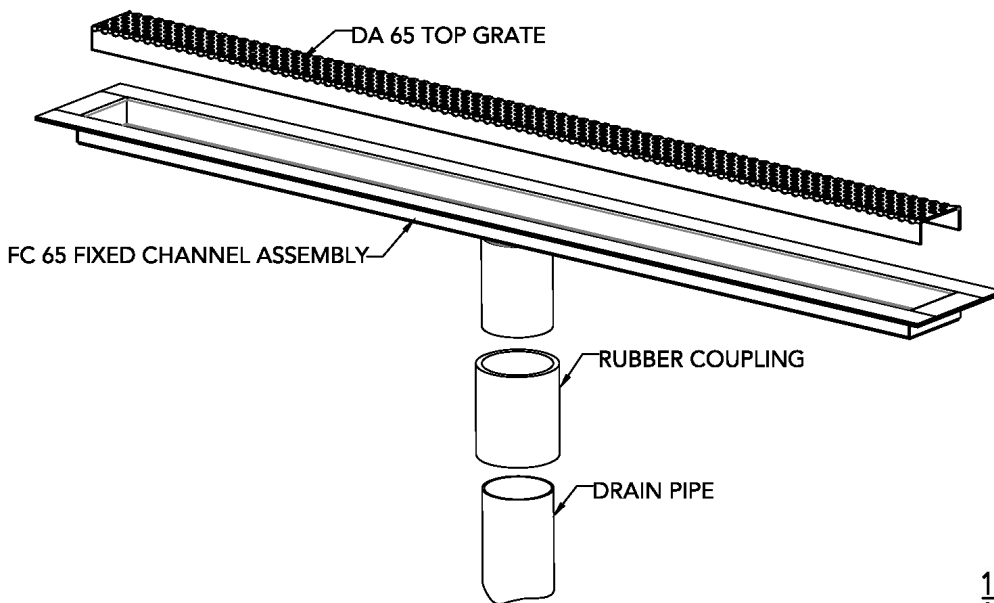
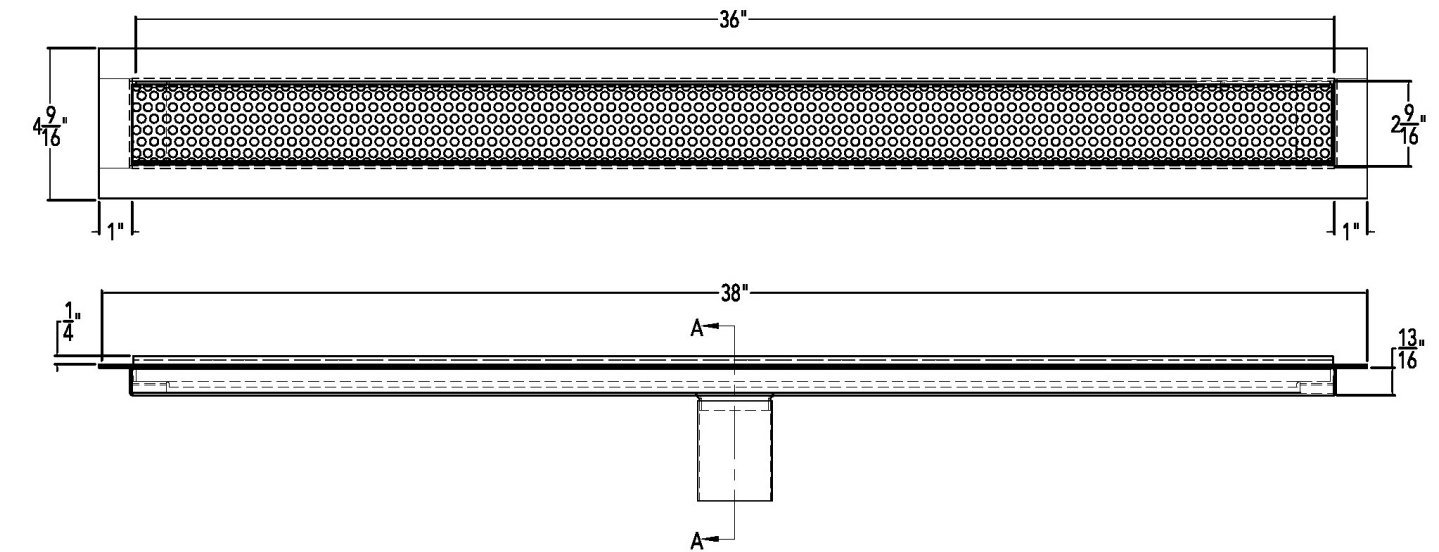
Infinity Drain

18 Secatoag Avenue
 Port Washington, NY 11050
 Phone: 516.767.6786
 Fax: 516.740.3066
 www.InfinityDrain.com



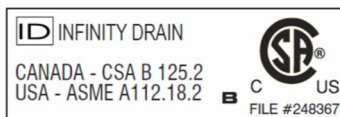
Note: Installer must verify all rough-in dimensions prior to installation and consult local and national codes. Conformity and compliance to local and national codes are the responsibility of the installer.

FFDG 6536 Specifications



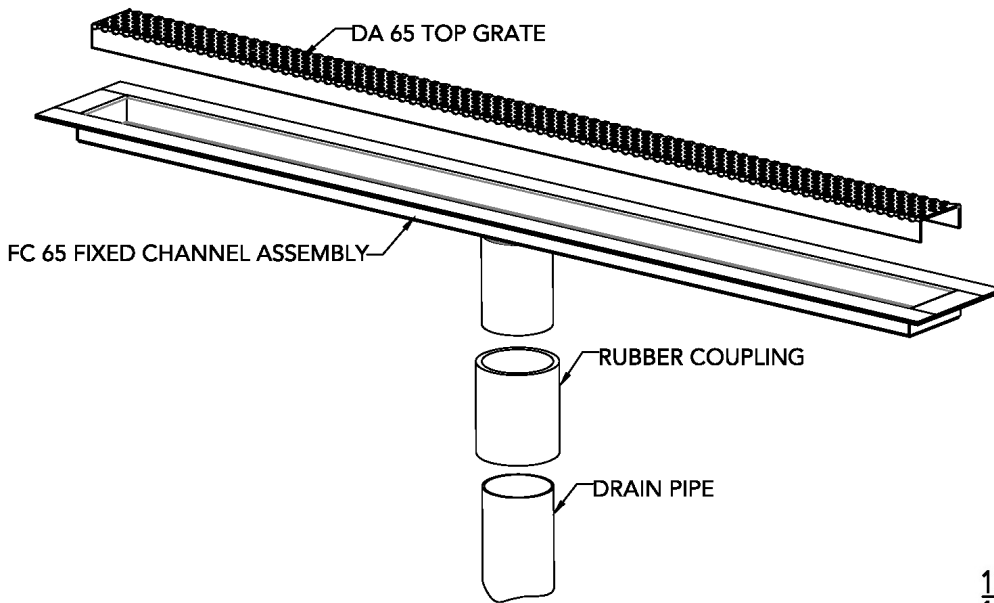
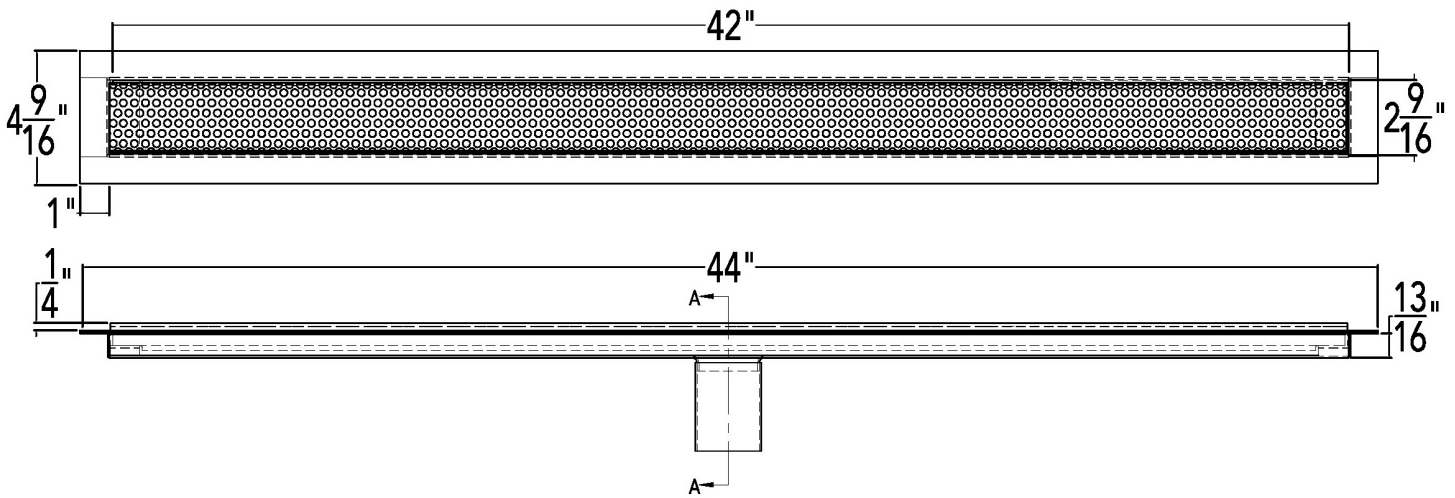
- FFDG 6536**
36" Complete Kit Includes:
 (38 1/8" l x 4 1/2" w x 4 13/16" h)
 1 - DA 6536 Stainless Steel Grate
 1 - FC 6536 Fixed Flange Channel

Infinity Drain
 18 Secatoag Avenue
 Port Washington, NY 11050
 Phone: 516.767.6786
 Fax: 516.740.3066
 www.InfinityDrain.com

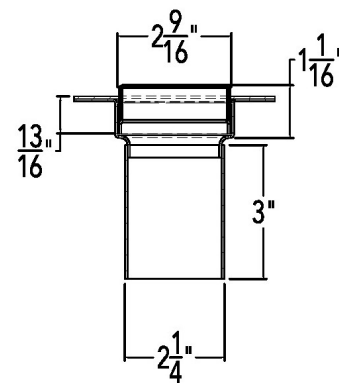


Note: Installer must verify all rough-in dimensions prior to installation and consult local and national codes. Conformity and compliance to local and national codes are the responsibility of the installer.

FFDG 6542 Specifications



DRAIN CAN BE ADJUSTED UPWARD FOR AN ADDITIONAL 1/2" IN HEIGHT



SECTION A-A

FFDG 6542

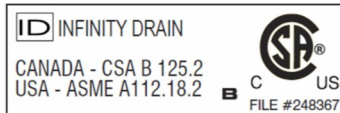
42" Complete Kit Includes:

(44 1/8" l x 4 1/2" w x 4 13/16" h)

- 1 - DA 6542 Stainless Steel Grate
- 1 - FC 6542 Fixed Flange Channel

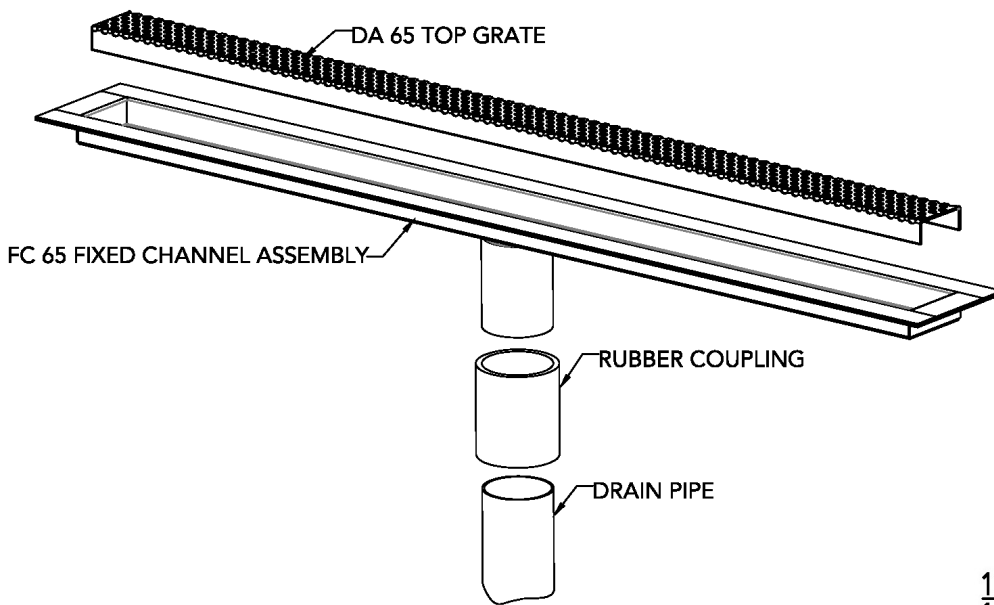
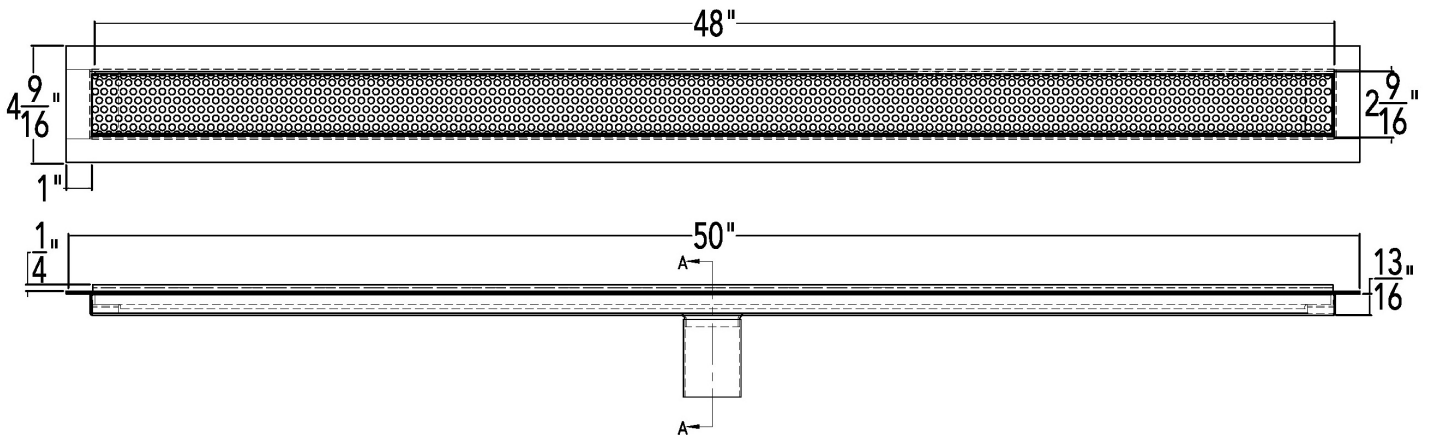
Infinity Drain

18 Secatoag Avenue
 Port Washington, NY 11050
 Phone: 516.767.6786
 Fax: 516.740.3066
 www.InfinityDrain.com

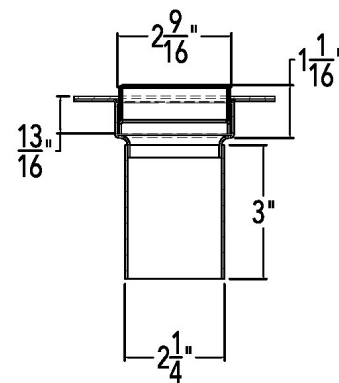


Note: Installer must verify all rough-in dimensions prior to installation and consult local and national codes. Conformity and compliance to local and national codes are the responsibility of the installer.

FFDG 6548 Specifications



DRAIN CAN BE ADJUSTED UPWARD FOR AN ADDITIONAL 1/2" IN HEIGHT



SECTION A-A

FFDG 6548

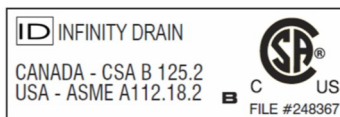
48" Complete Kit Includes:

(50 1/8" l x 4 1/2" w x 4 13/16" h)

- 1 - DA 6548 Stainless Steel Grate
- 1 - FC 6548 Fixed Flange Channel

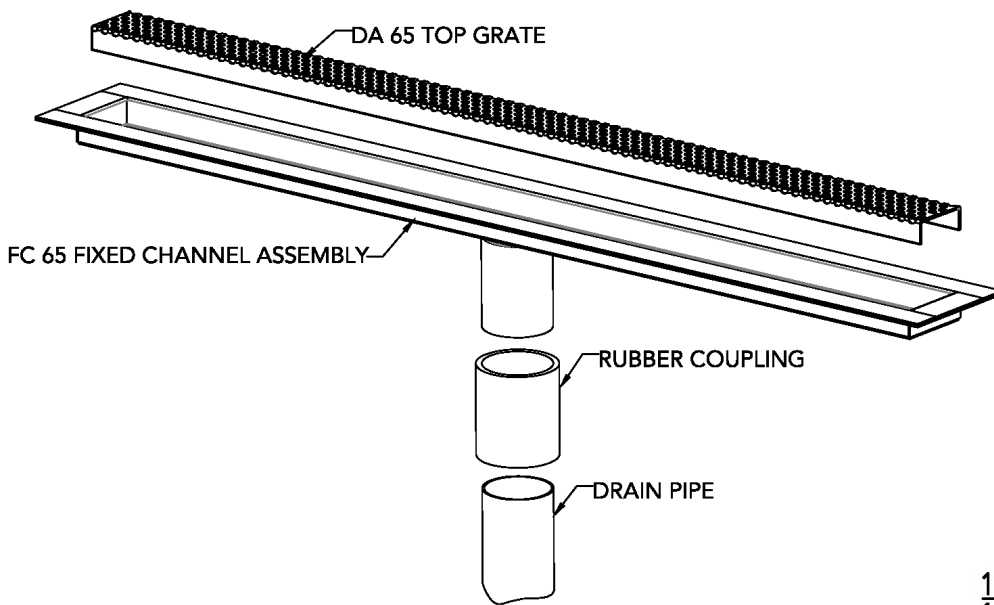
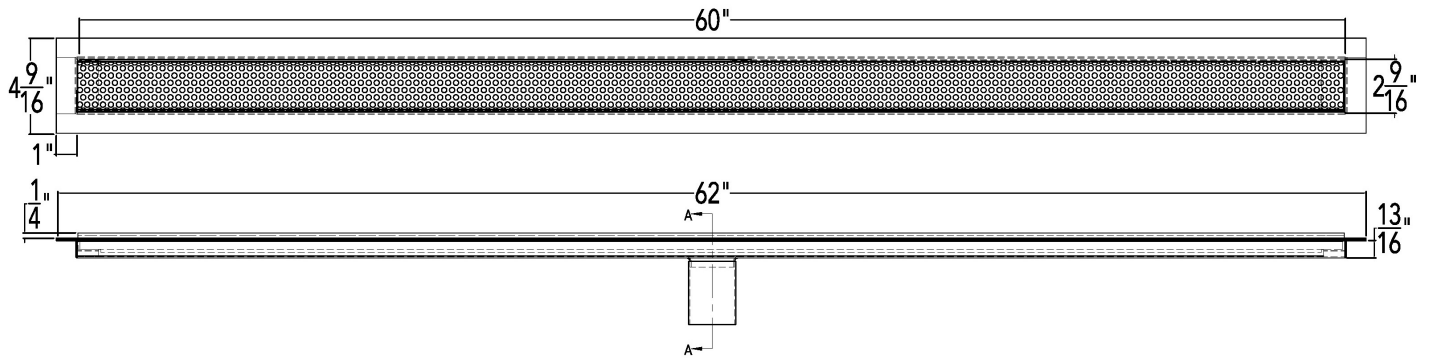
Infinity Drain

18 Secatoag Avenue
 Port Washington, NY 11050
 Phone: 516.767.6786
 Fax: 516.740.3066
 www.InfinityDrain.com

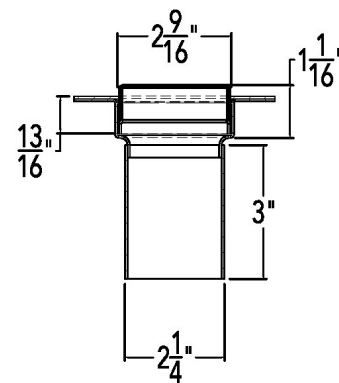


Note: Installer must verify all rough-in dimensions prior to installation and consult local and national codes. Conformity and compliance to local and national codes are the responsibility of the installer.

FFDG 6560 Specifications



DRAIN CAN BE ADJUSTED UPWARD FOR AN ADDITIONAL 1/2" IN HEIGHT



SECTION A-A

FFDG 6560

60" Complete Kit Includes:

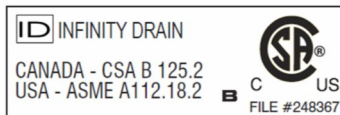
(62 1/8" l x 4 1/2" w x 4 13/16" h)

1 - DA 6560 Stainless Steel Grate

1 - FC 6560 Fixed Flange Channel

Infinity Drain

18 Secatoag Avenue
 Port Washington, NY 11050
 Phone: 516.767.6786
 Fax: 516.740.3066
 www.InfinityDrain.com



Note: Installer must verify all rough-in dimensions prior to installation and consult local and national codes. Conformity and compliance to local and national codes are the responsibility of the installer.