

TDB Series

TDB 15 & TDB 20 Installation

Parts List

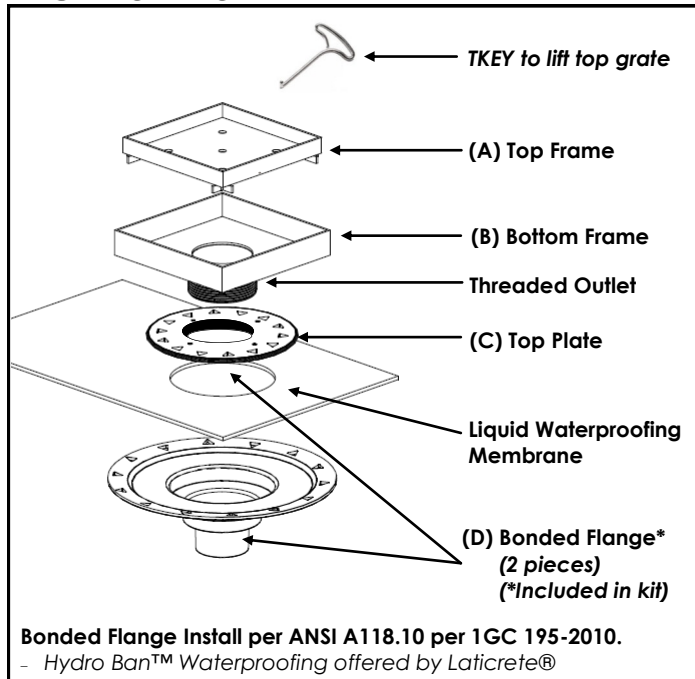


Figure 1

Installation Instructions

1. Determine bonded flange **(D)** location. Set bonded flange into mortar. If no access to drain pipe is available from underneath, prep bonded flange with PVC primer and PVC cement prior to setting the bonded flange into mortar. Press bonded flange into mortar. Note: the bonded flange can accommodate a 2", 3" or 4" drain pipe connection.
2. Note: Liquid waterproofing membrane is required with the application of the bonded flange.
3. Bonded flange installed per ANSI A118.10 per 1GC 195-2010. Apply waterproofing per manufacturer's instructions; Waterproof onto the entire surface of the bonded flange **(D)**.
4. Thread the bottom frame **(B)** into the top plate **(C)** and adjust height as needed. Now set assembled top plate **(C)** in place with thin set/mortar. If build up is necessary, support bottom frame **(B)** with thin set/mortar.
5. Remove top frame **(A)** and install tile into the top frame with mortar and thin set.
6. Finish floor must be 1/16" higher than the top edge of bottom frame **(B)**.

Determining floor height

Infinity Drain recommends this product be installed by a licensed contractor

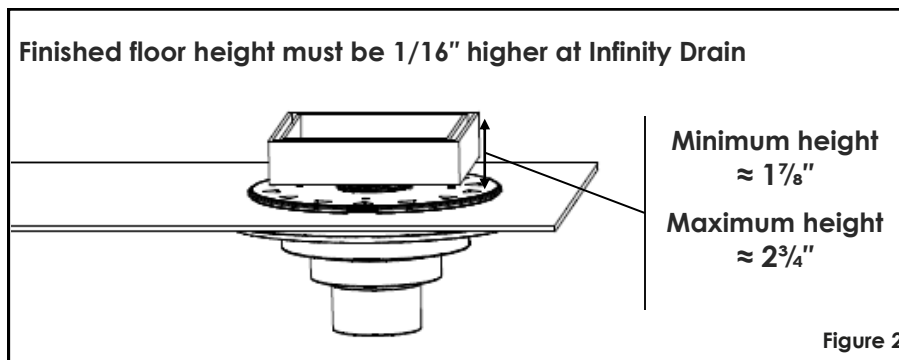
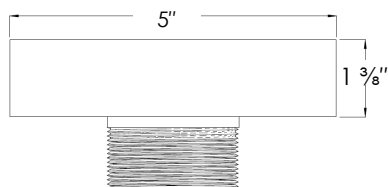
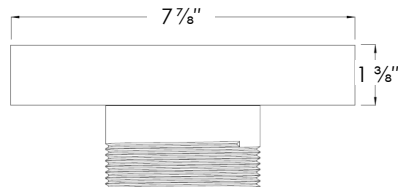


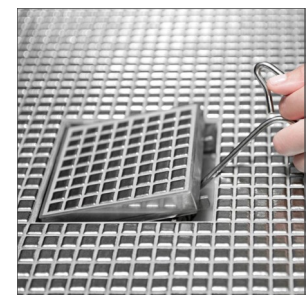
Figure 2



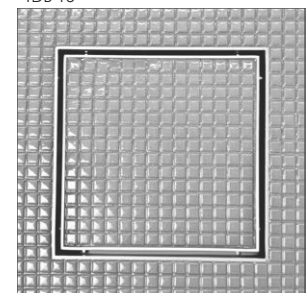
TDB 15



TDB 20



TDB 15



TDB 20