

TD Series

TD 15 & TD 20 Installation

Parts List

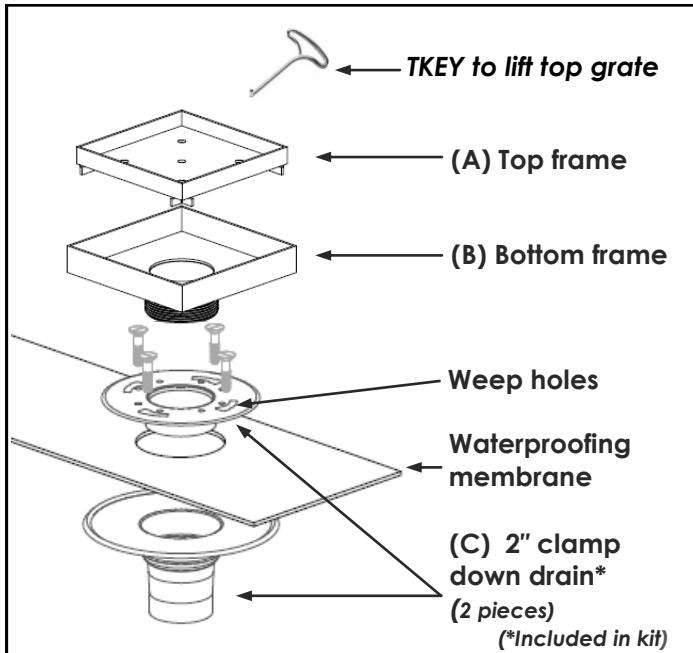


Figure 1

Installation Instructions

1. Determine clamp down drain **(C)** location.
2. Waterproof and pitch mortar bed in all four directions, towards the clamp down drain **(C)**.
3. Insert bottom frame **(B)** into clamp down drain **(C)** and adjust height as needed.
4. Remove top frame **(A)** and install tile within frame, using mortar and thin set.
5. Finish floor must be $1/16''$ higher than the bottom frame **(B)**.

Infinity Drain recommends this product be installed by a licensed contractor

Determining floor height

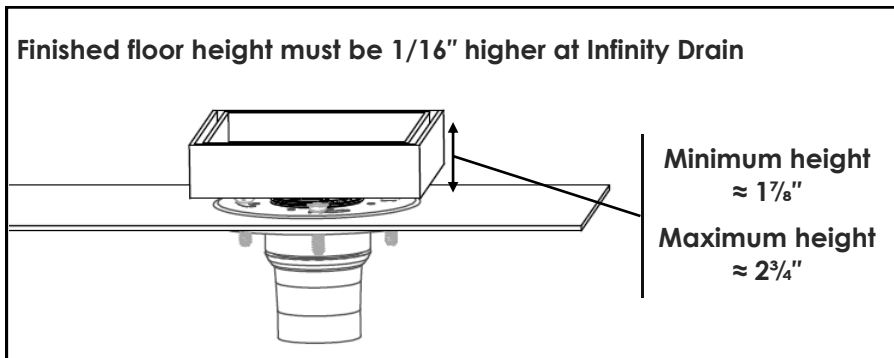
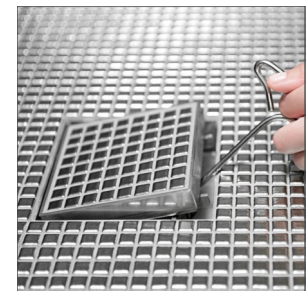
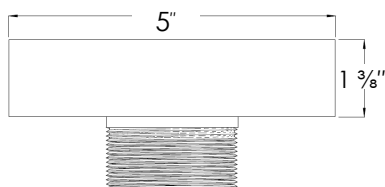


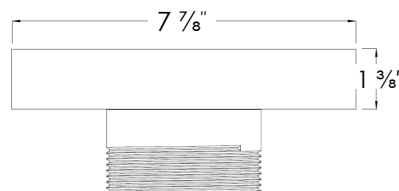
Figure 2



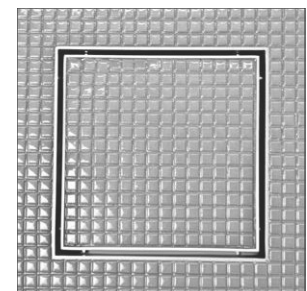
TD 15



TD 15



TD 20



TD 20