

TD Series

TD 50 Installation

Parts List

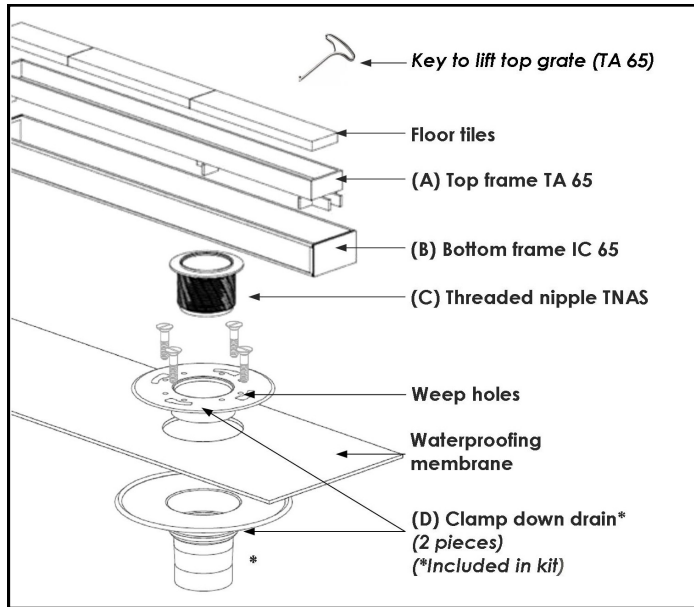


Figure 1

Installation Instructions

1. Determine clamp down drain **(D)** location.
2. Waterproof and pitch mortar bed in all four directions, towards the clamp down drain **(C)**.
3. Insert TNAS **(C)** into clamp down drain **(D)** and adjust height as needed.
4. Remove top frame **(A)** and install tile within frame, using mortar and thin set.
5. Insert bottom frame **(B)** onto the TNAS **(C)** and readjust height as needed. Once adjusted, remove bottom frame **(B)** and apply a bead of silicone to the outlet section and reinstall onto the TNAS **(C)** to create seal.
6. Finish floor must be 1/16" higher than the bottom frame **(B)**.

Determining floor height

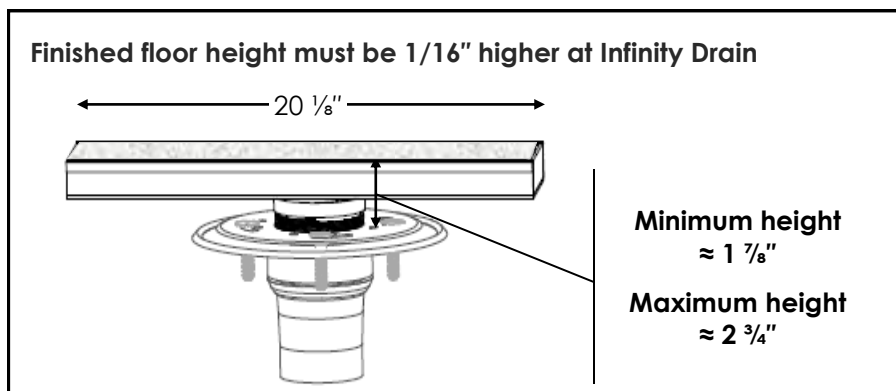
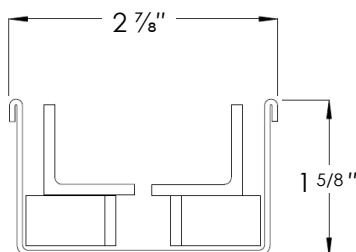


Figure 2



Infinity Drain recommends this product be installed by a licensed contractor

