

AG Series

100 Installation

Parts List

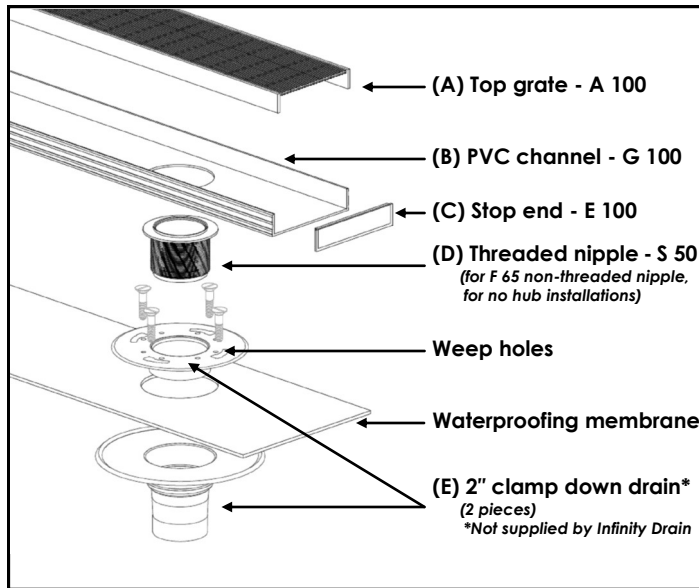


Figure 1

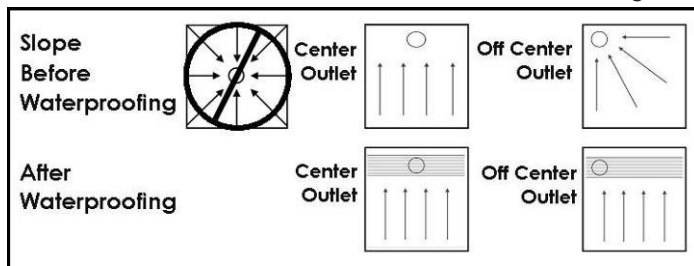


Figure 2

Our linear drains are designed to achieve high flow and have a channel with a neutral pitch, meaning 100% level. This allows you to locate the outlet anywhere on the channel. The water will drain when in the channel and create a siphon until it is drained. The exception would be for a miter installation then it would be necessary to pitch the non-outlet channel towards the outlet channel.

Determining floor height

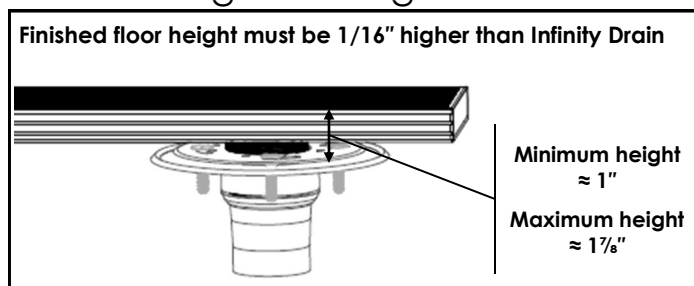
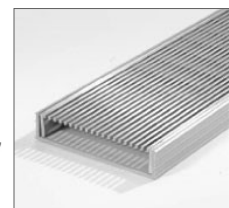
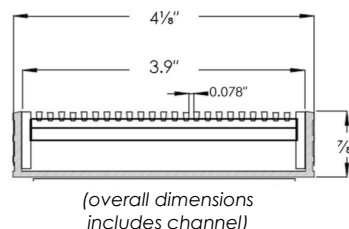


Figure 3

Clamp down drain is not supplied by Infinity Drain

- Determine drain location.
- Set height with threaded nipple outlet (D) into clamp down drain* (E) and roughly estimate desired height. Note: Product is designed to achieve high flow with no channel pitch. (*clamp down drain not supplied by Infinity Drain. Must use local listed clamp down drain with 2" female throat (spud).) (If a no hub installation, (D) will have no threads (F 65) part.)
- Cut channel to size (B) (if necessary). When measuring overall channel length, allow 3/16" for both stop ends (C) less the wall tile thickness.
- Affix the stop ends to the channel. Use clear PVC primer solvent and cement to ensure a tight fit with no gaps. Take care, as this is a permanent adhesion and cannot be removed without damaging the stop end fittings.
- Using a 2 1/4" hole saw, cut a hole in the base of the channel (B) where the threaded nipple outlet (D) will be located. *Once assembled, confirm height **before affixing outlet to channel**. Finished floor must be 1/16" higher than Infinity Drain.
- Create a bed of mortar the length of the channel, on the waterproofing membrane to support the underside of the channel when leveling.
- Set channel (B) in place and make certain channel is absolutely leveled.
- Affix the outlet (D) to the underside of the channel (B) with clear PVC primer solvent and cement. Ensure a tight fit into channel with no gaps.
- Cut the grate (A) to size (if necessary) using a hacksaw, with a 32 teeth blade by hand. Ensure cut is square. Gently file back rough edges. Note: Cut grate 1/4" shorter than inside dimension of channel to ensure easy removal for cleaning.
- When applying 'mud' to floor, allow for thin set and tile thickness around channel.
- Ensure grate remains in channel during mud application and tiling to prevent channel from flexing. Please take measures to protect the stainless steel grate when applying cement and/or grout in channel area.
- Use a silicone seal around the outer edges of the channel before tiling.
- Tile floor must be 1/16" above channel edge.
- Use a mix of 50% clear PVC cement and 50% dry grout to cover visible edge of the channel, and apply immediately. PVC primer solvent should be used on the channel edges before applying PVC/grout mix.
- Allow to set for 36 hours before using.

Infinity Drain recommends this product be installed by a licensed contractor



AG 100

Figure 4